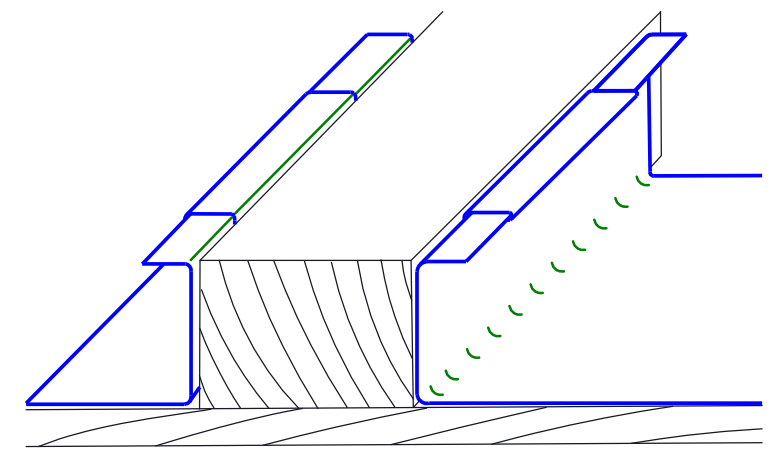
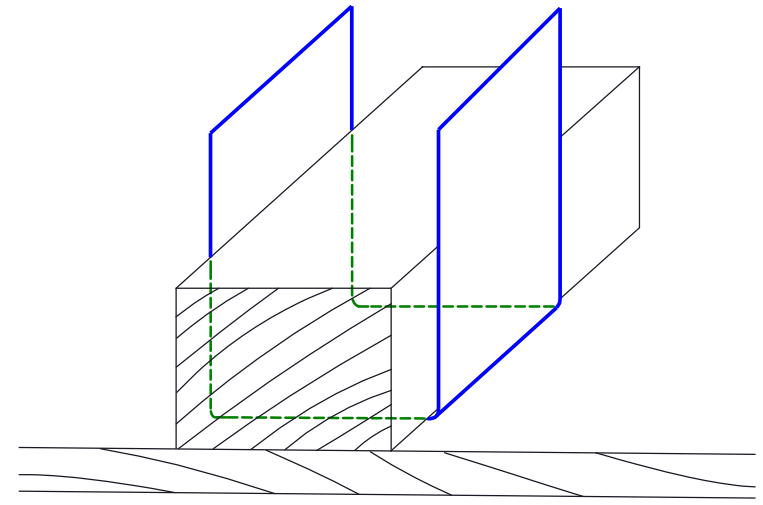


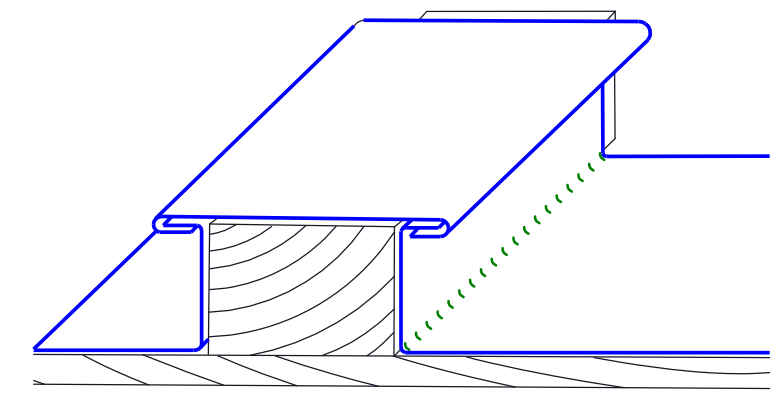
01BC04 BATTEN SEAM-1



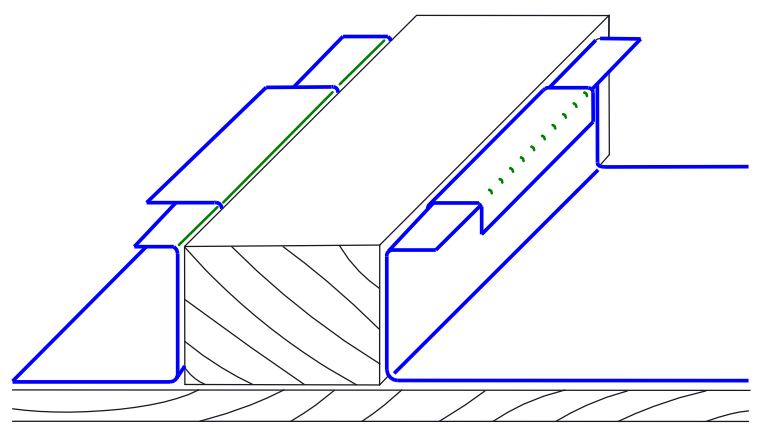
01BC07 BATTEN SEAM-4



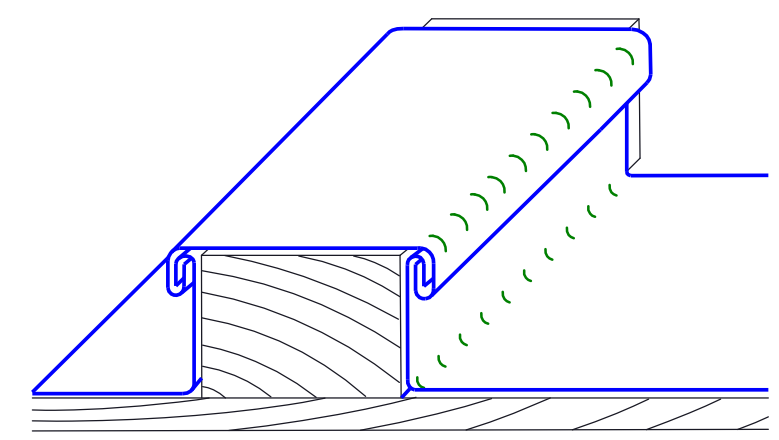
01BC05 BATTEN SEAM-2



01BC08 BATTEN SEAM-5



01BC06 BATTEN SEAM-3



01BC09 BATTEN SEAM-6

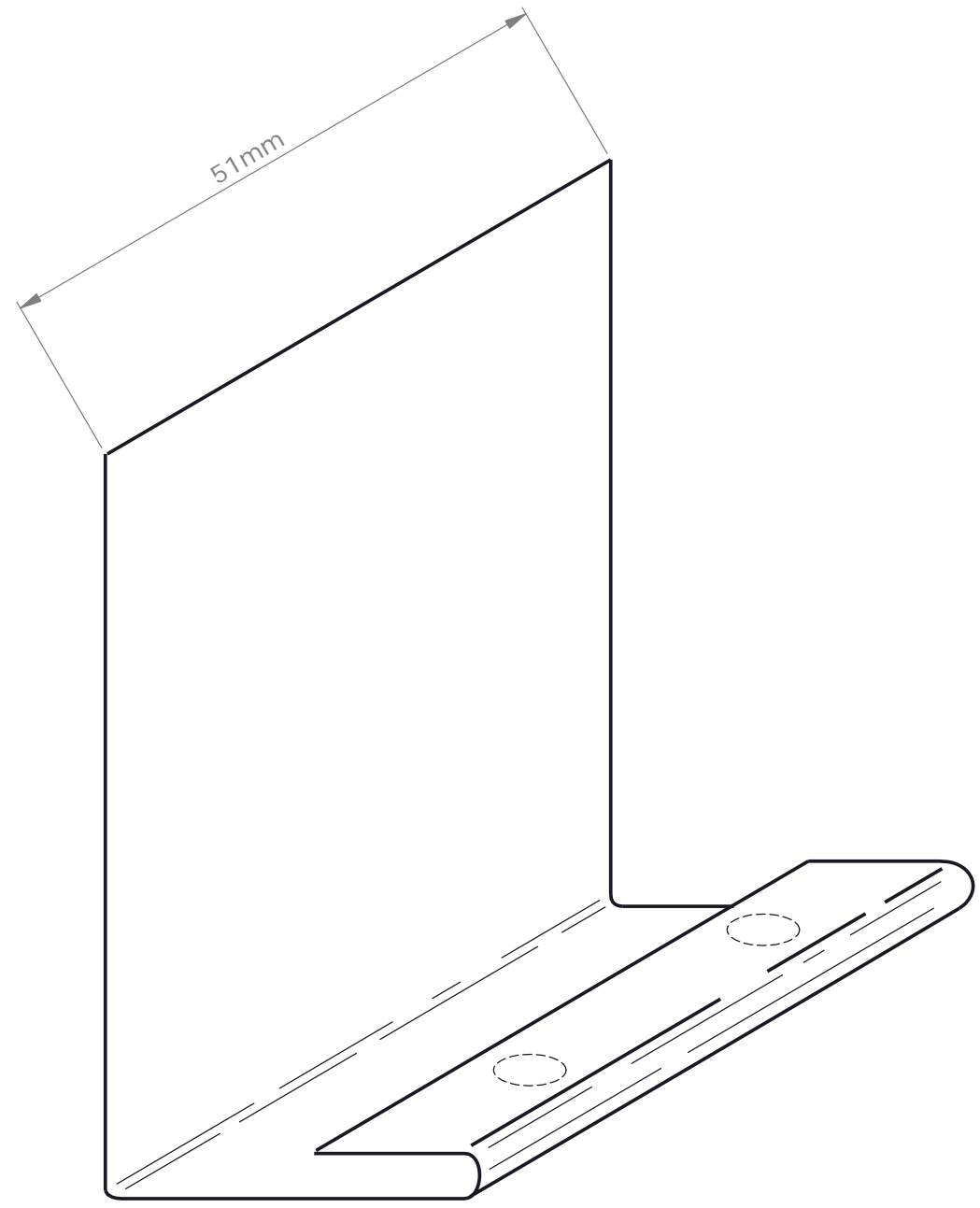
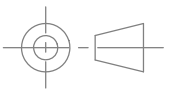
AMBROMETALS

www.ambrometals.com
Information contained in this drawing may not be reproduced or used for any purpose without express written permission from Ambro Metals Limited

Ambro Metals Ltd
PO Box 15599
New Lynn 0604
Auckland
New Zealand

TITLE / PART NUMBER:
Section 2 - Batten Seam

REVISION: A	SHEET: 1 of 1	SIZE: A3	DATE: 20/11/2013
----------------	------------------	-------------	---------------------



01 BC 01a FIXED CLEAT

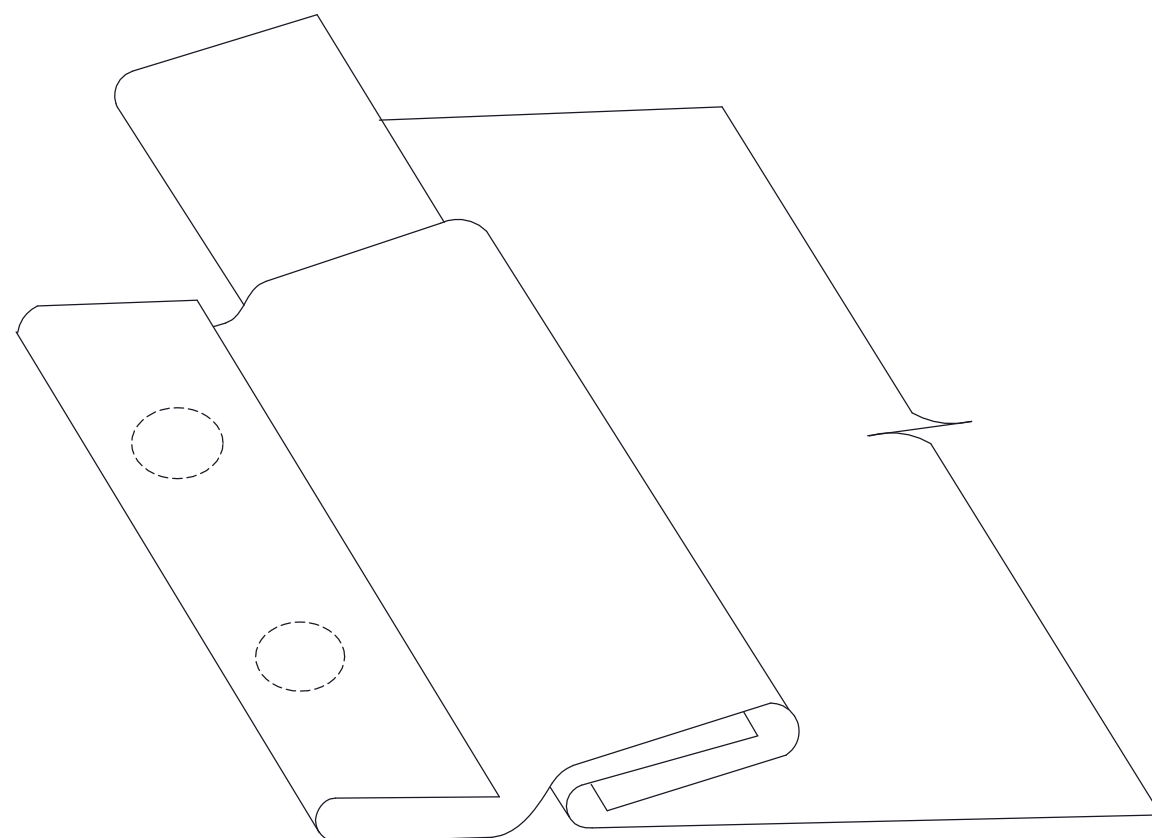
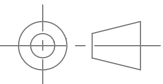
AMBROMETALS

Ambro Metals Ltd
PO Box 15599
New Lynn 0604
Auckland
New Zealand

www.ambrometals.com
Copyright © 2013 Ambro Metals Ltd
Information contained in this drawing may not be reproduced or used for any purpose without express written permission from Ambro Metals Limited

TITLE / PART NUMBER:
Section 2 - Cleat Variations
Fixed Cleat

REVISION: A	SHEET: 1 of 3	SIZE: A3	DATE: 20/11/2013
-----------------------	------------------	--------------------	----------------------------



01 BC 01 FIXED CLEAT— END OVER NAILS

AMBROMETALS

www.ambrometals.com

Information contained in this drawing may not be reproduced or used for any purpose without express written permission from Ambro Metals Limited

Ambro Metals Ltd

PO Box 15599
New Lynn 0604
Auckland
New Zealand

Copyright © 2013 Ambro Metals Ltd

TITLE / PART NUMBER:

Section 2 - Cleat Variations

Fixed Cleat end over nails

REVISION:

A

SHEET:

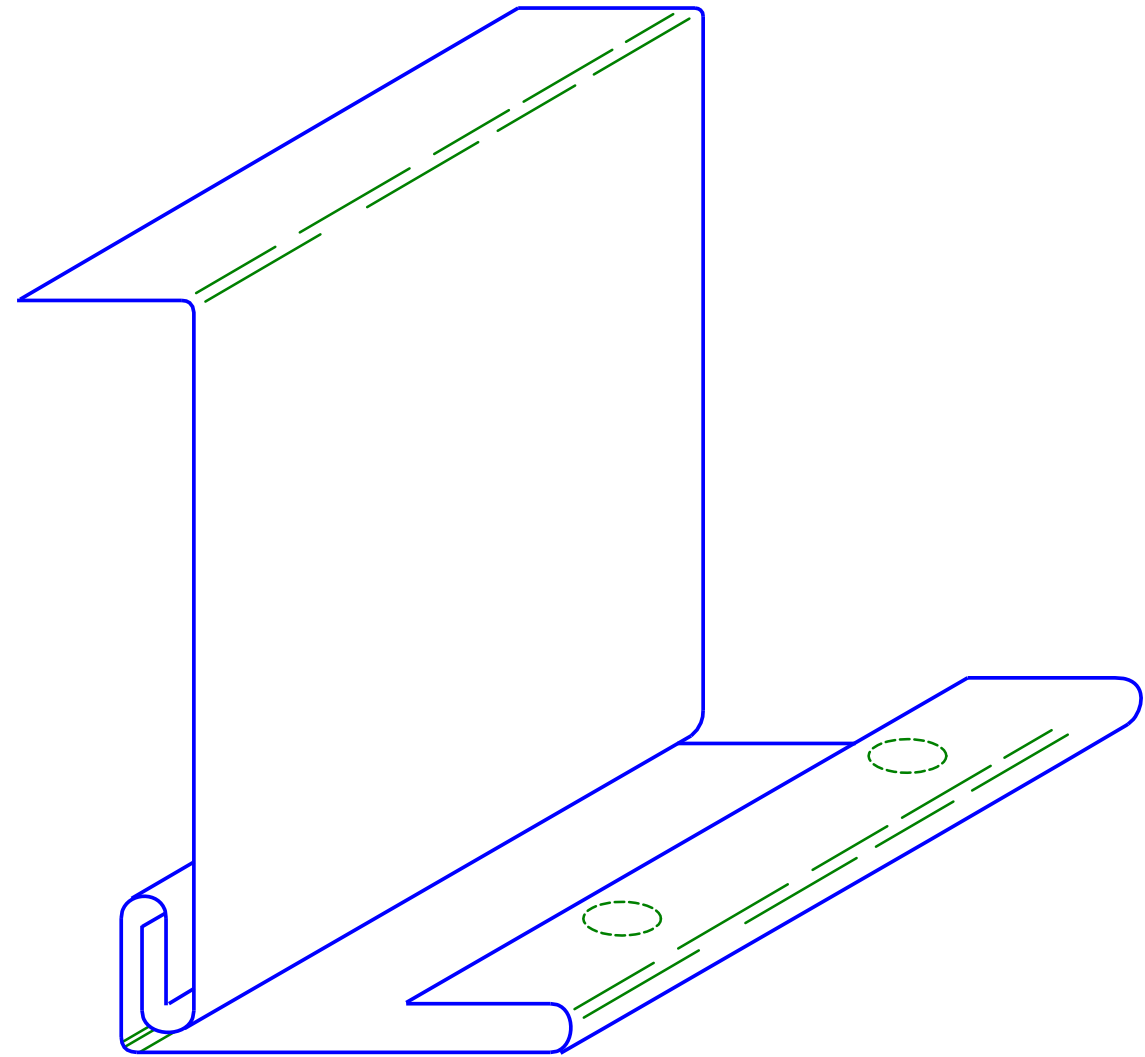
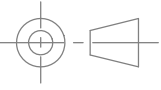
2 OF 3

SIZE:

A3

DATE:

20/11/2013



01 BC 01b EXPANSION CLEATS

AMBROMETALS

Ambro Metals Ltd
PO Box 15599
New Lynn 0604
Auckland
New Zealand

www.ambrometals.com

Copyright © 2013 Ambro Metals Ltd
Information contained in this drawing may not be reproduced or used for any purpose without express written permission from Ambro Metals Limited

TITLE / PART NUMBER:

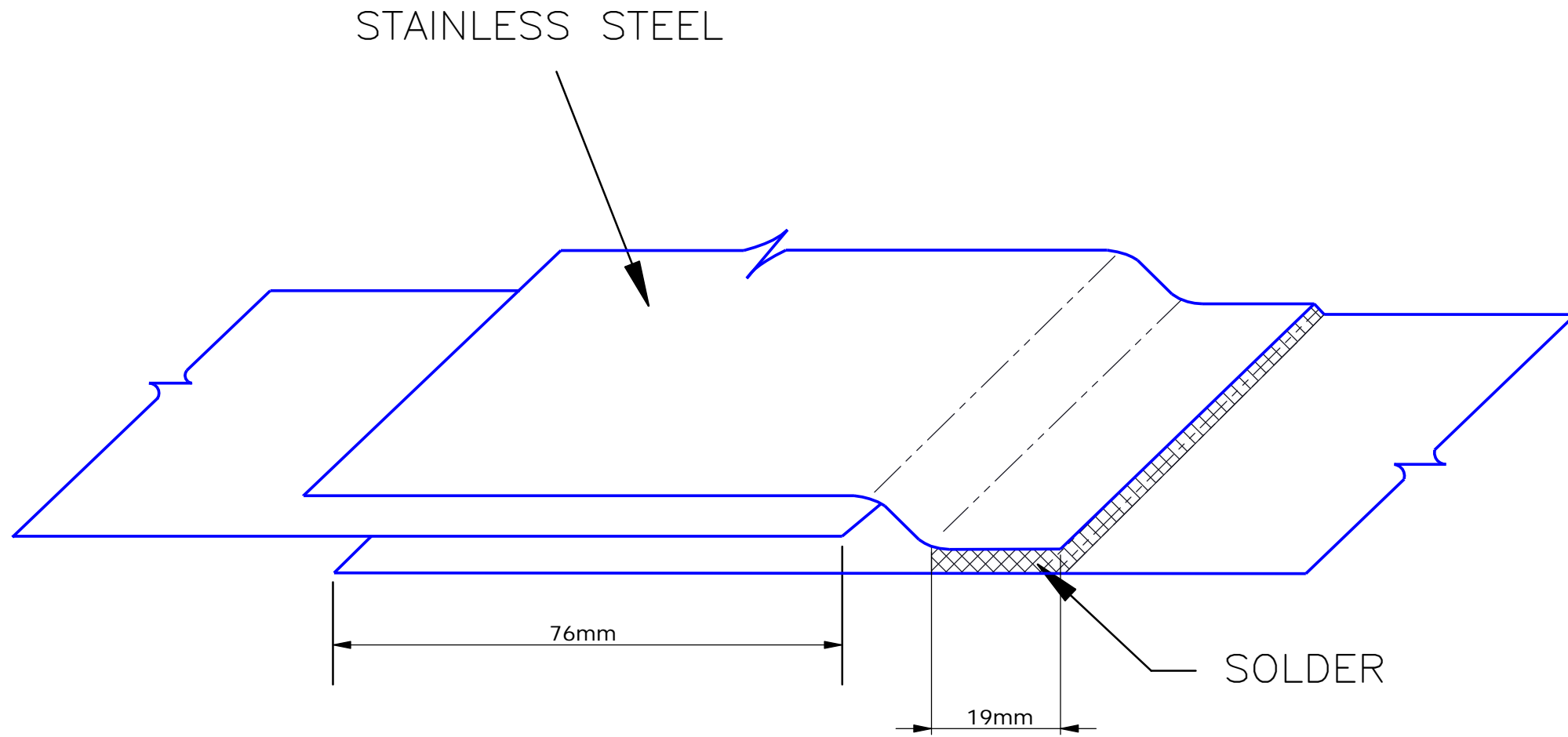
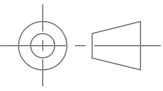
Section 2 - Cleat Variations
Expansion Cleats

REVISION:
A

SHEET:
3 OF 3

SIZE:
A3

DATE:
20/11/2013



01BC22 CLEVIS SEAM

AMBROMETALS

www.ambrometals.com

Information contained in this drawing may not be reproduced or used for any purpose without express written permission from Ambro Metals Limited

Ambro Metals Ltd
PO Box 15599
New Lynn 0604
Auckland
New Zealand

Copyright © 2013 Ambro Metals Ltd

TITLE / PART NUMBER:

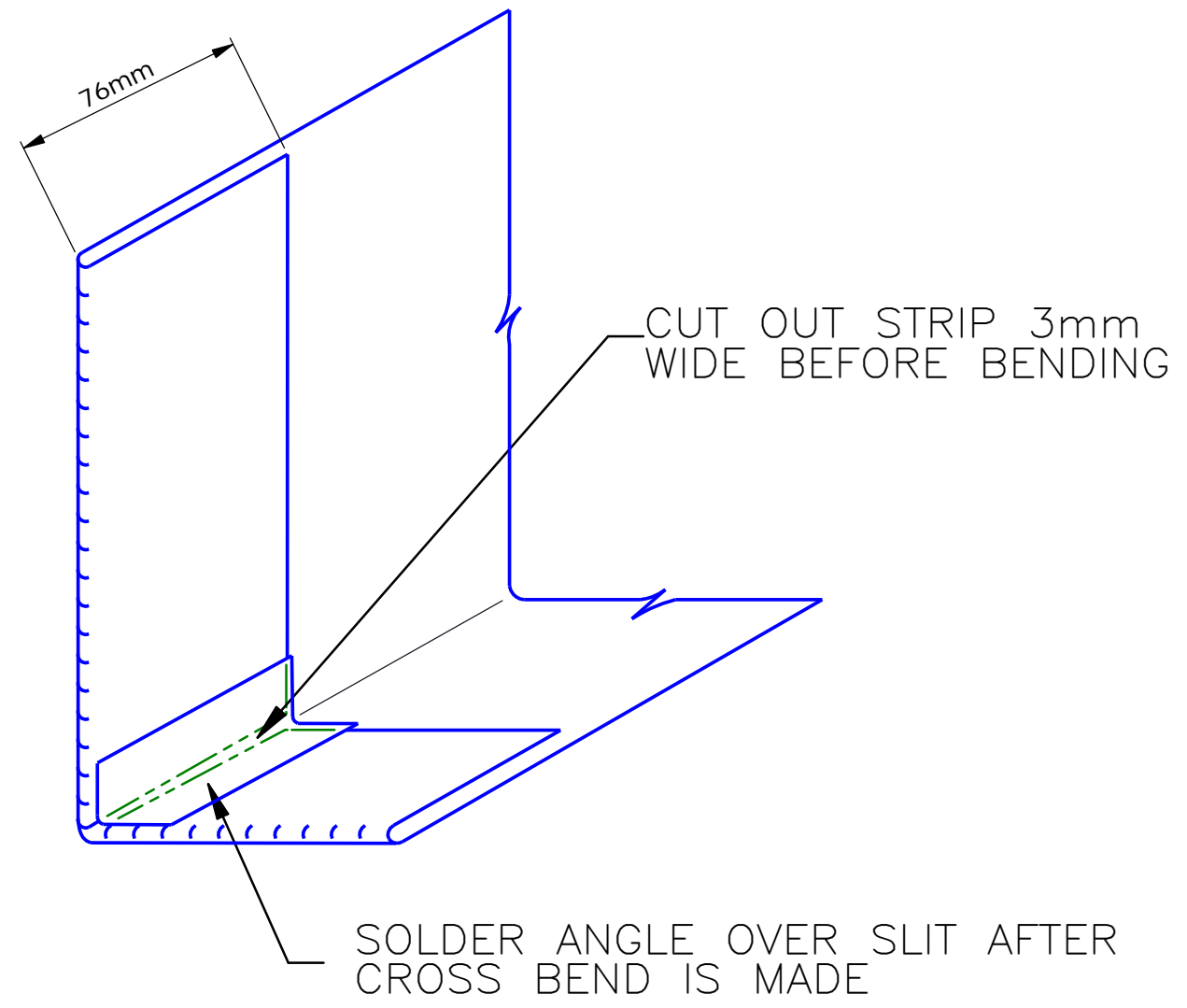
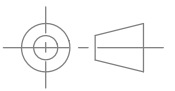
Section 2 - Cleavis Seam

REVISION:
A

SHEET:
1 of 1

SIZE:
A3

DATE:
20/11/2013



01BC19 CROSS FOLDED SEAM-A

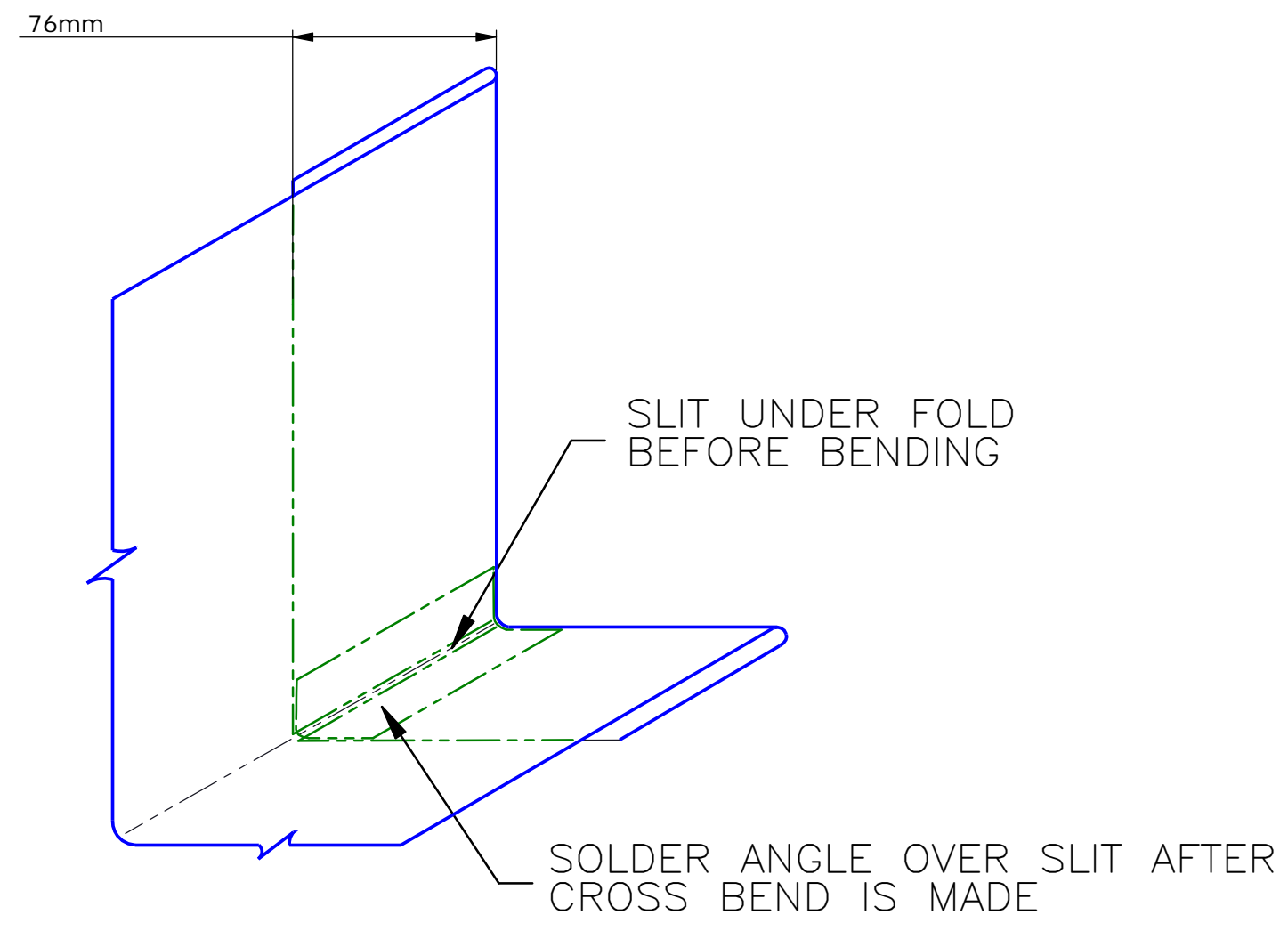
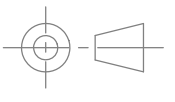


Ambro Metals Ltd
PO Box 15599
New Lynn 0604
Auckland
New Zealand

www.ambrometals.com
Copyright © 2013 Ambro Metals Ltd
Information contained in this drawing may not be reproduced or used for any purpose without express written permission from Ambro Metals Limited

TITLE / PART NUMBER:
Section 2 - Cross Folded Seams
Cross Folded Seam A

REVISION: A	SHEET: 1 OF 2	SIZE: A3	DATE: 20/11/2013
----------------	------------------	-------------	---------------------



01BC20 CROSS FOLD SEAM-B



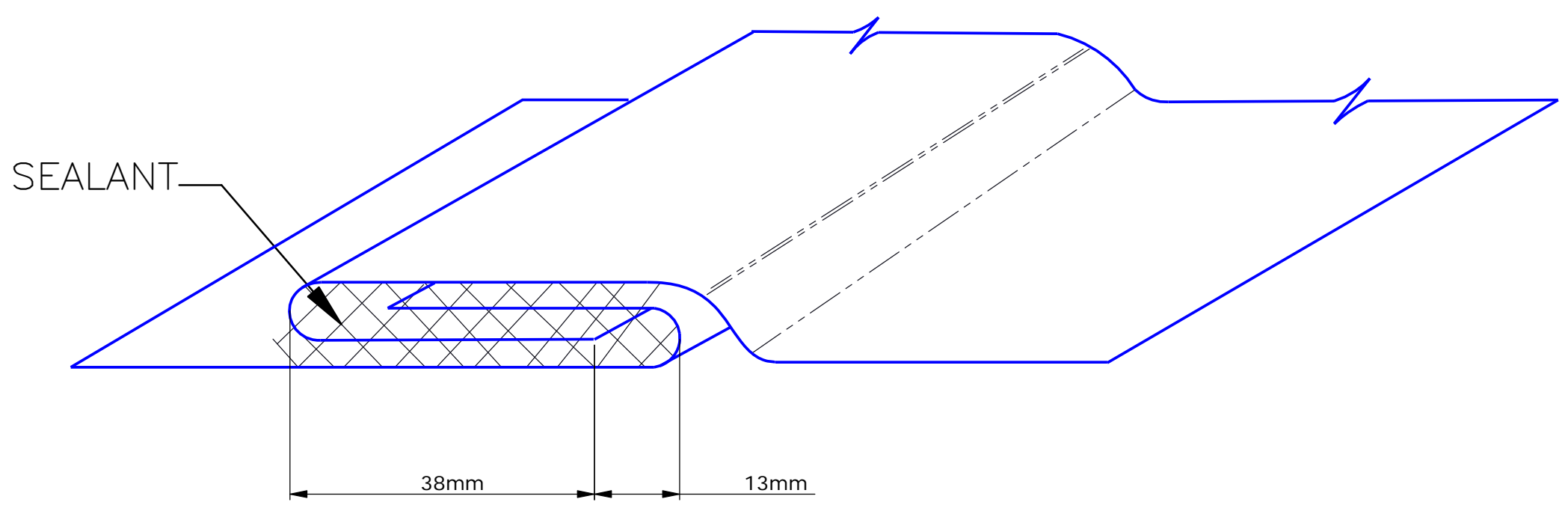
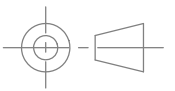
Ambro Metals Ltd
PO Box 15599
New Lynn 0604
Auckland
New Zealand

www.ambrometals.com
Information contained in this drawing may not be reproduced or used for any purpose without express written permission from Ambro Metals Limited

Copyright © 2013 Ambro Metals Ltd

TITLE / PART NUMBER:
Section 2 - Cross Folded Seams
Cross Folded Seam B

REVISION: A	SHEET: 2 OF 2	SIZE: A3	DATE: 20/11/2013
----------------	------------------	-------------	---------------------



SEALANT

38mm

13mm

01BC18 LOOSE LOCK EXPANSION SEAM

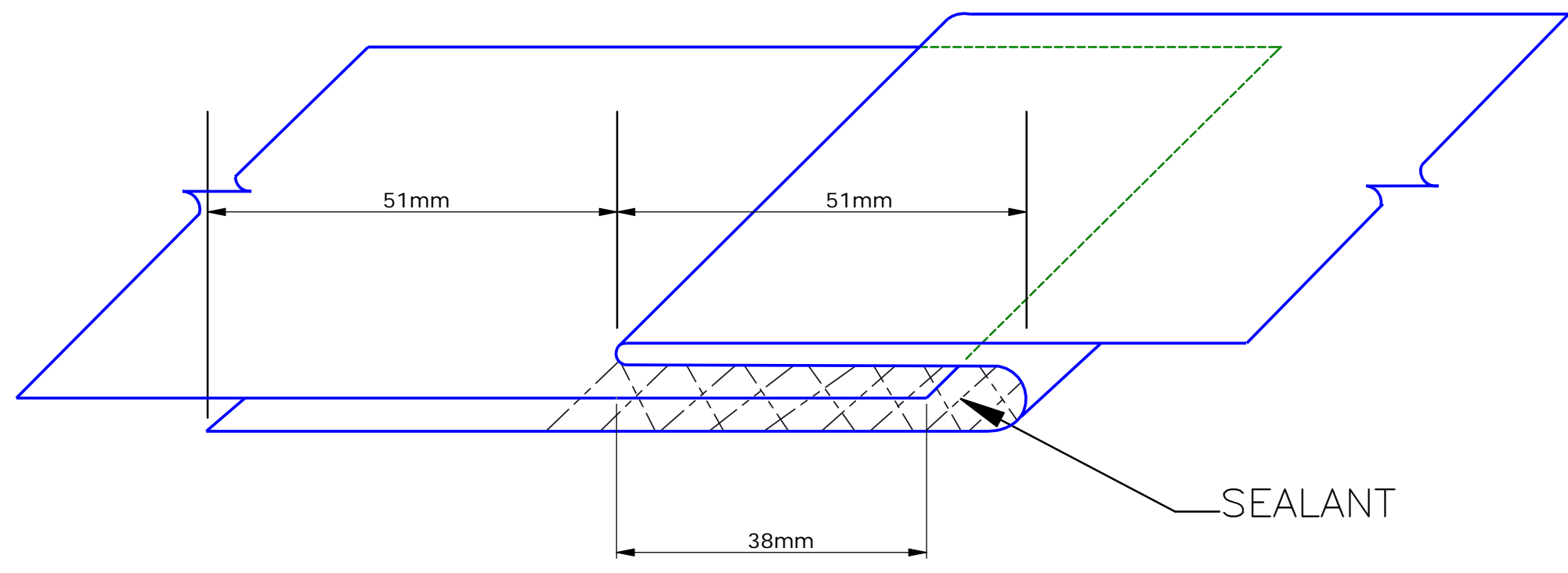
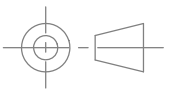
AMBROMETALS

Ambro Metals Ltd
PO Box 15599
New Lynn 0604
Auckland
New Zealand

www.ambrometals.com
Copyright © 2013 Ambro Metals Ltd
Information contained in this drawing may not be reproduced or used for any purpose without express written permission from Ambro Metals Limited

TITLE / PART NUMBER:
Section 2 - Expansion Seams
Loose Lock Expansion Seam

REVISION: A	SHEET: 1 of 2	SIZE: A3	DATE: 20/11/2013
-----------------------	-------------------------	--------------------	----------------------------



01BC21 SLIP EXPANSION SEAM

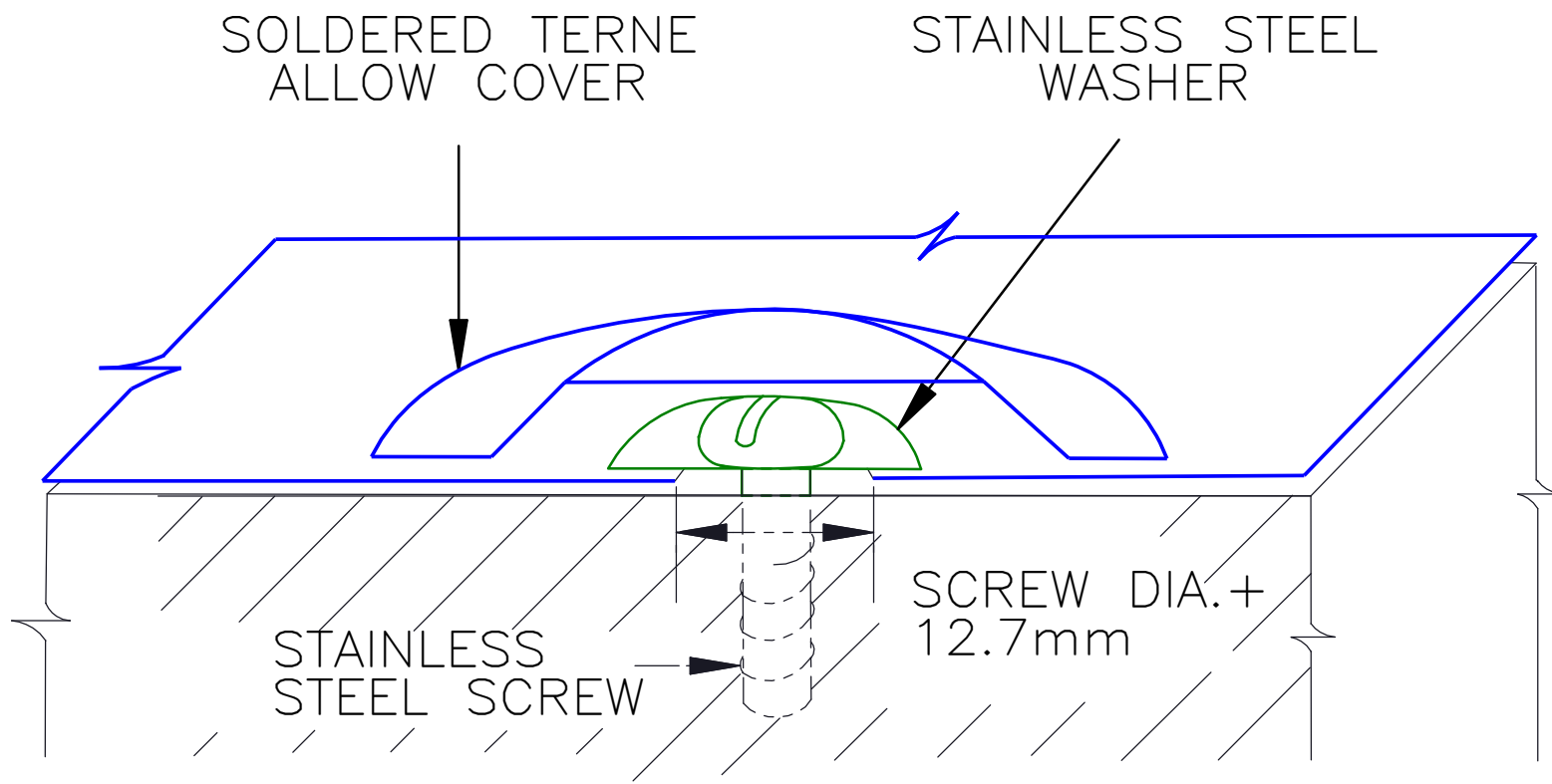
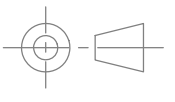
AMBROMETALS

Ambro Metals Ltd
PO Box 15599
New Lynn 0604
Auckland
New Zealand

www.ambrometals.com
Copyright © 2013 Ambro Metals Ltd
Information contained in this drawing may not be reproduced or used for any purpose without express written permission from Ambro Metals Limited

TITLE / PART NUMBER:
Section 2 - Expansion Seams
Slip Expansion Seam

REVISION: A	SHEET: 2 OF 2	SIZE: A3	DATE: 20/11/2013
-----------------------	-------------------------	--------------------	----------------------------



01BC24 HOLD DOWNS

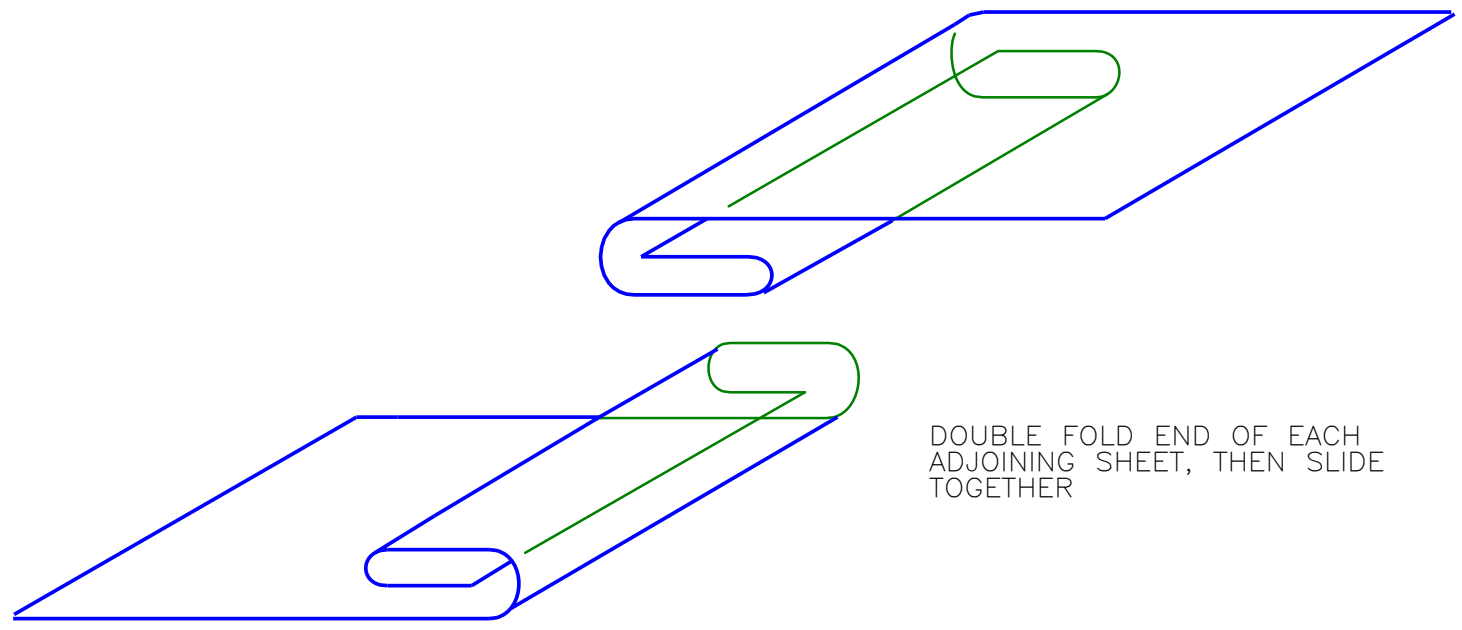


Ambro Metals Ltd
PO Box 15599
New Lynn 0604
Auckland
New Zealand

www.ambrometals.com
Copyright © 2013 Ambro Metals Ltd
Information contained in this drawing may not be reproduced or used for any purpose without express written permission from Ambro Metals Limited

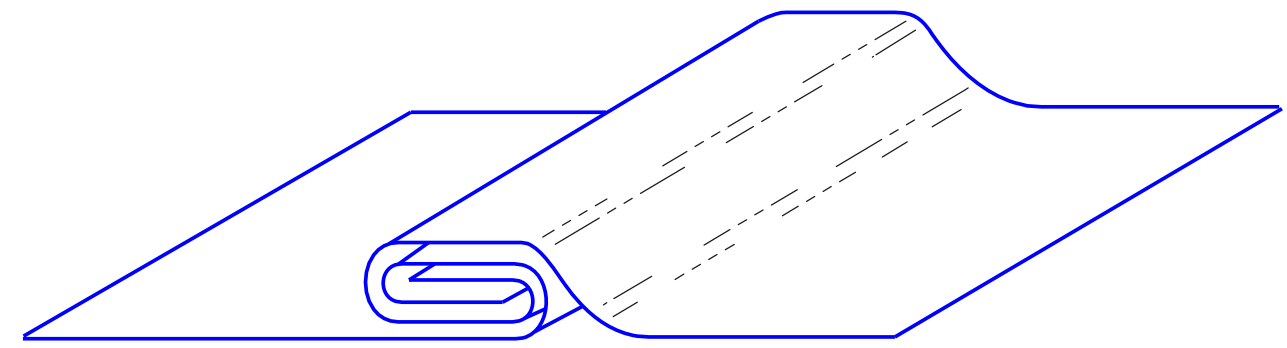
TITLE / PART NUMBER:
Section 2 - Hold Downs

REVISION: A	SHEET: 1 OF 1	SIZE: A3	DATE: 20/11/2013
----------------	------------------	-------------	---------------------



DOUBLE FOLD END OF EACH
ADJOINING SHEET, THEN SLIDE
TOGETHER

01BC25 DOUBLE LOCK A METHOD 1



01BC26 DOUBLE LOCK B METHOD 2

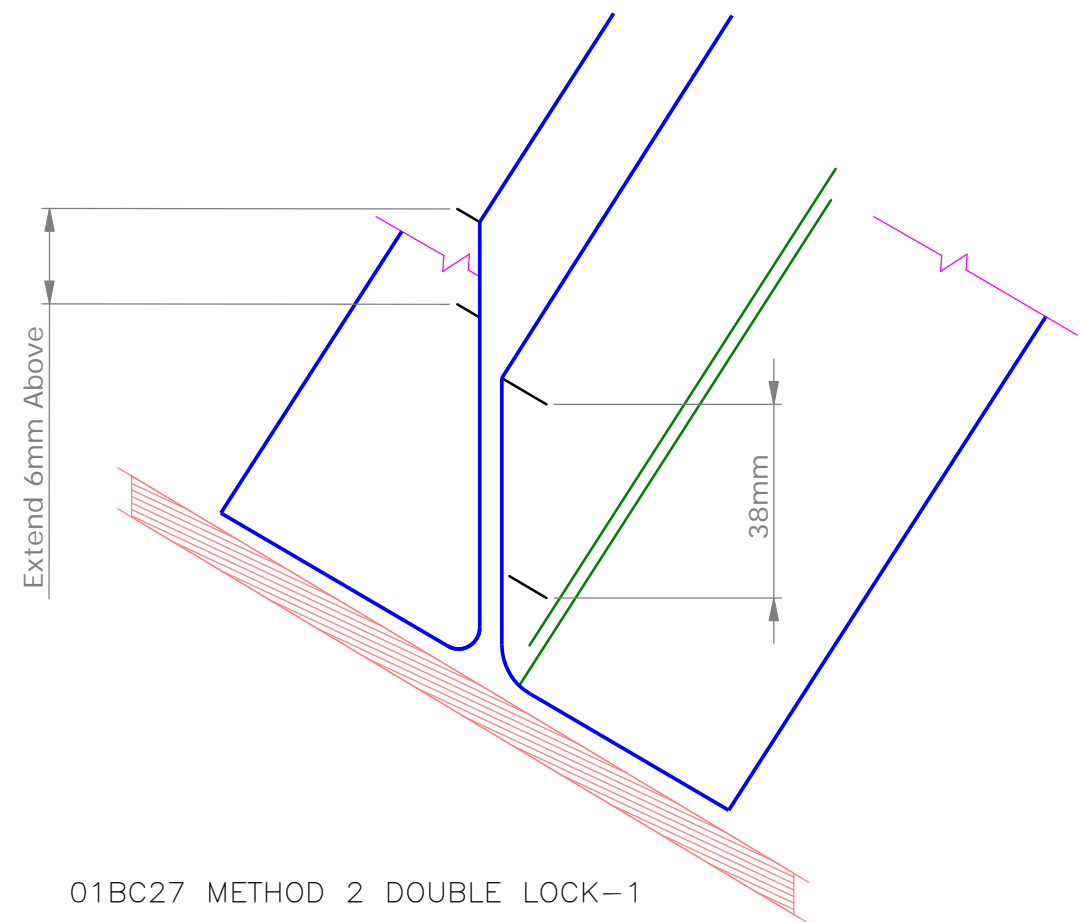


Ambro Metals Ltd
PO Box 15599
New Lynn 0604
Auckland
New Zealand

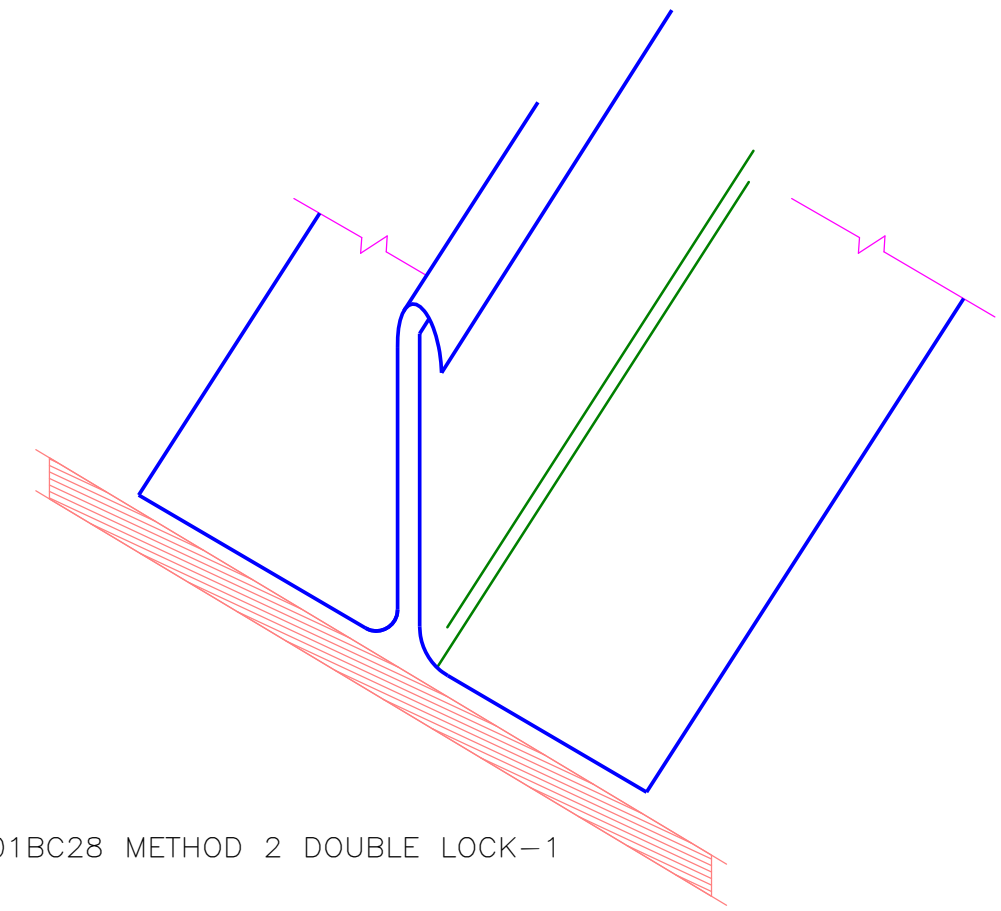
www.ambrometals.com
Copyright © 2013 Ambro Metals Ltd
Information contained in this drawing may not be reproduced or used for any purpose without express written permission from Ambro Metals Limited

TITLE / PART NUMBER:
Section 2 - Lock Seam
Double Lock

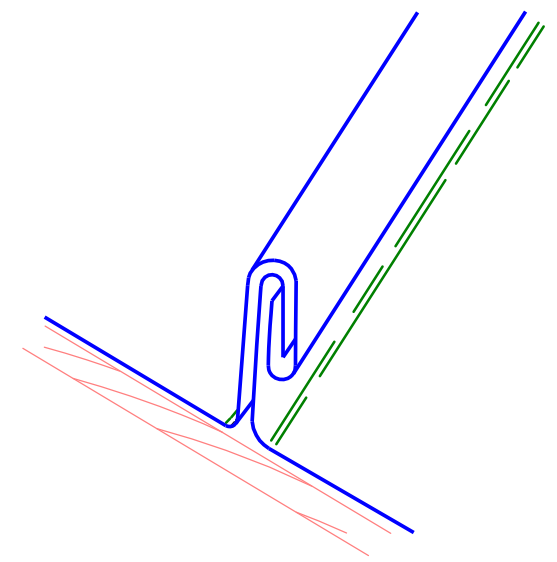
REVISION: A	SHEET: 1 of 3	SIZE: A3	DATE: 20/11/2013
-----------------------	------------------	--------------------	----------------------------



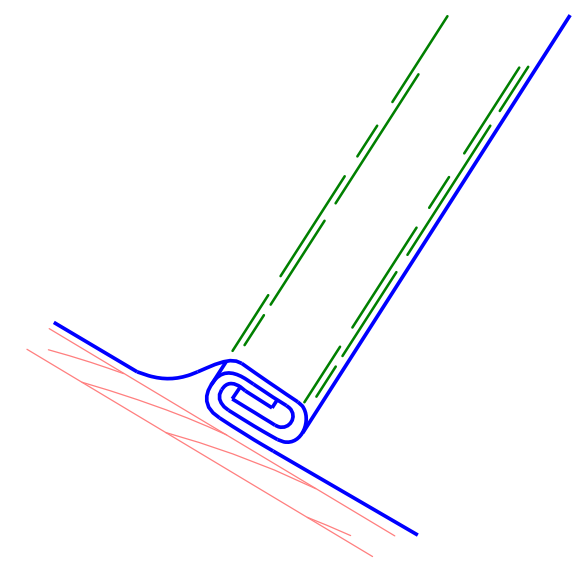
01BC27 METHOD 2 DOUBLE LOCK-1



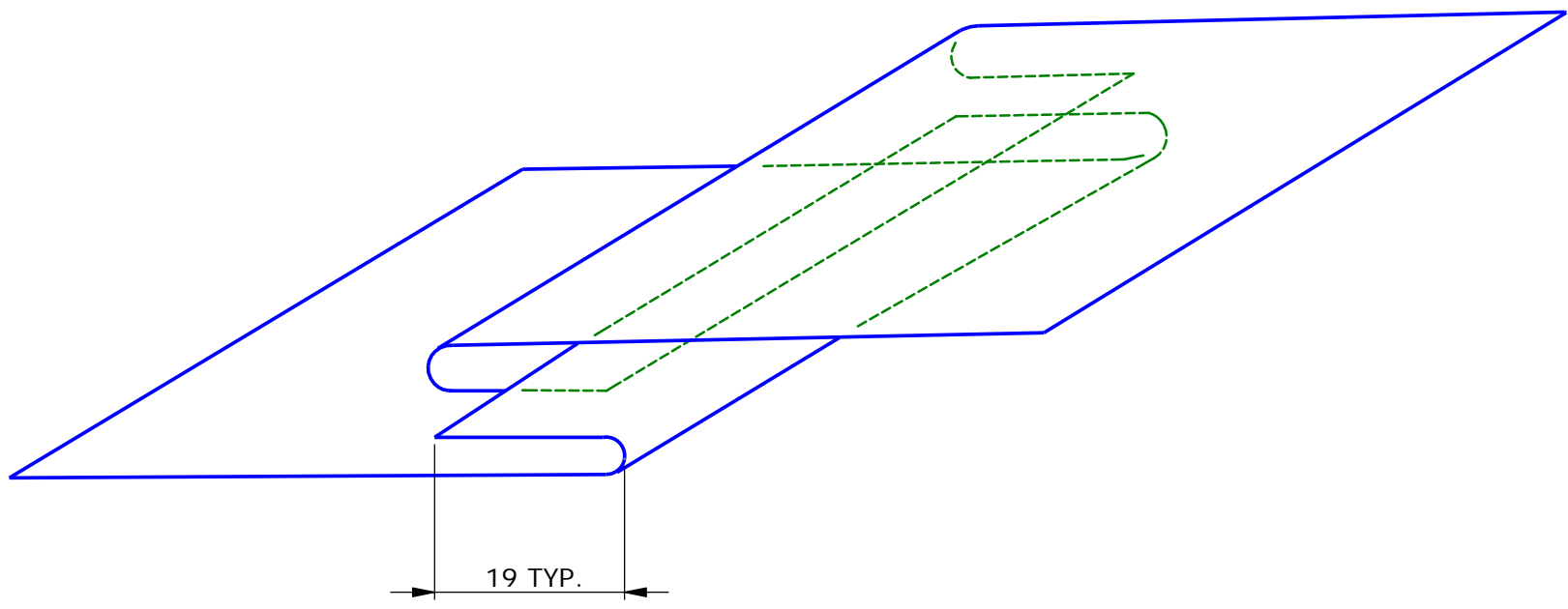
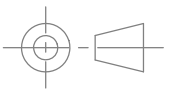
01BC28 METHOD 2 DOUBLE LOCK-1



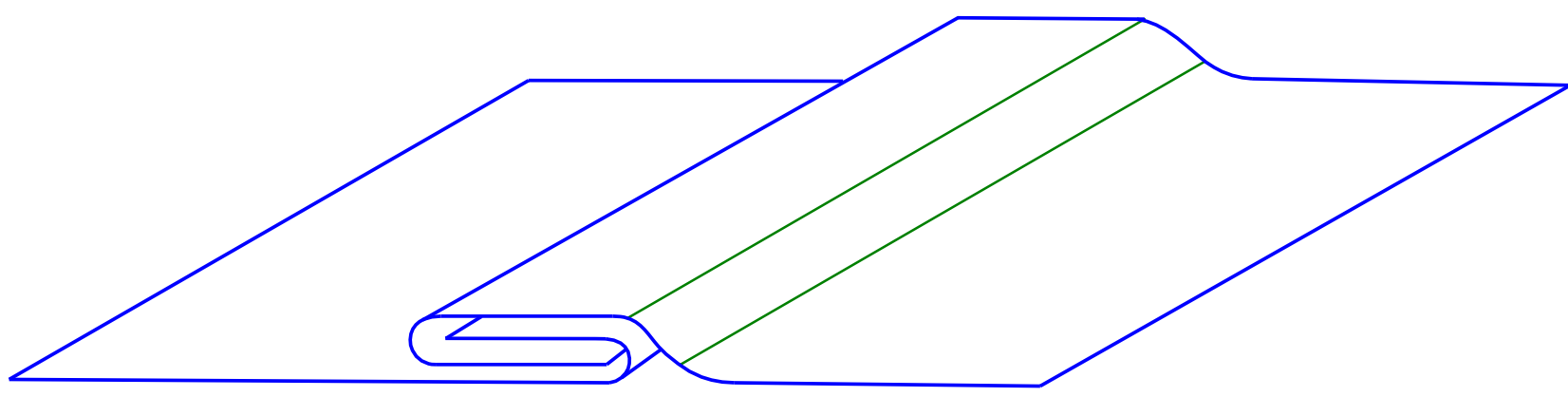
01BC29 METHOD 2-DOUBLE LOCK-3



01BC30 METHOD 2-DOUBLE LOCK-4



01BC02 SINGLE LOCK SEAM



01BC03 SINGLE LOCK SYSTEM-B

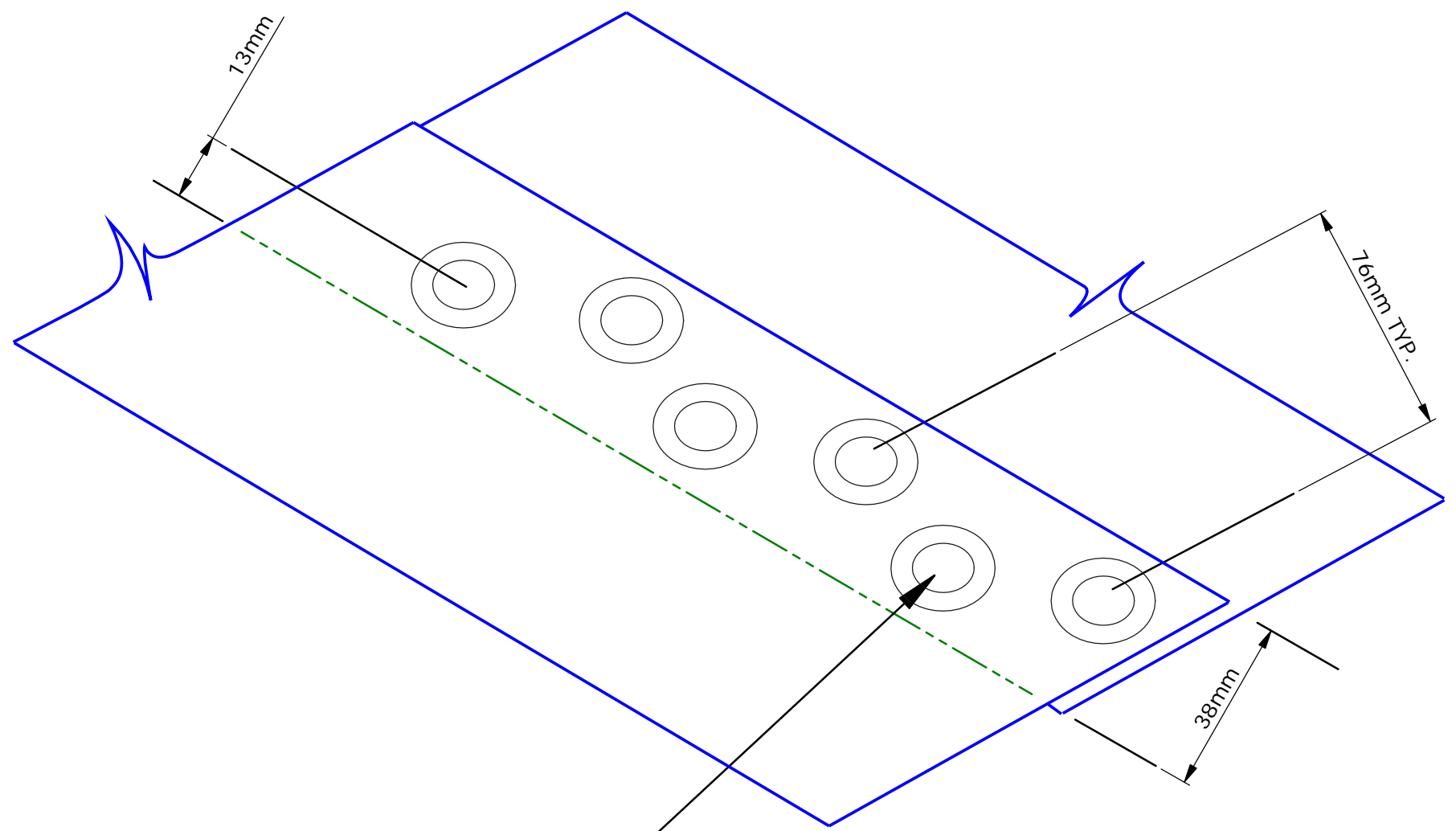
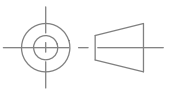


Ambro Metals Ltd
PO Box 15599
New Lynn 0604
Auckland
New Zealand

www.ambrometals.com
Copyright © 2013 Ambro Metals Ltd
Information contained in this drawing may not be reproduced or used for any purpose without express written permission from Ambro Metals Limited

TITLE / PART NUMBER:
Section 2 - Lock Seam
Single Lock Seam

REVISION: A	SHEET: 3 OF 3	SIZE: A3	DATE: 20/11/2013
-----------------------	-------------------------	--------------------	----------------------------



5mm DIA. STAINLESS STEEL RIVETS
WITH STAINLESS STEEL BURRS

01BC23 RIVETED SEAM

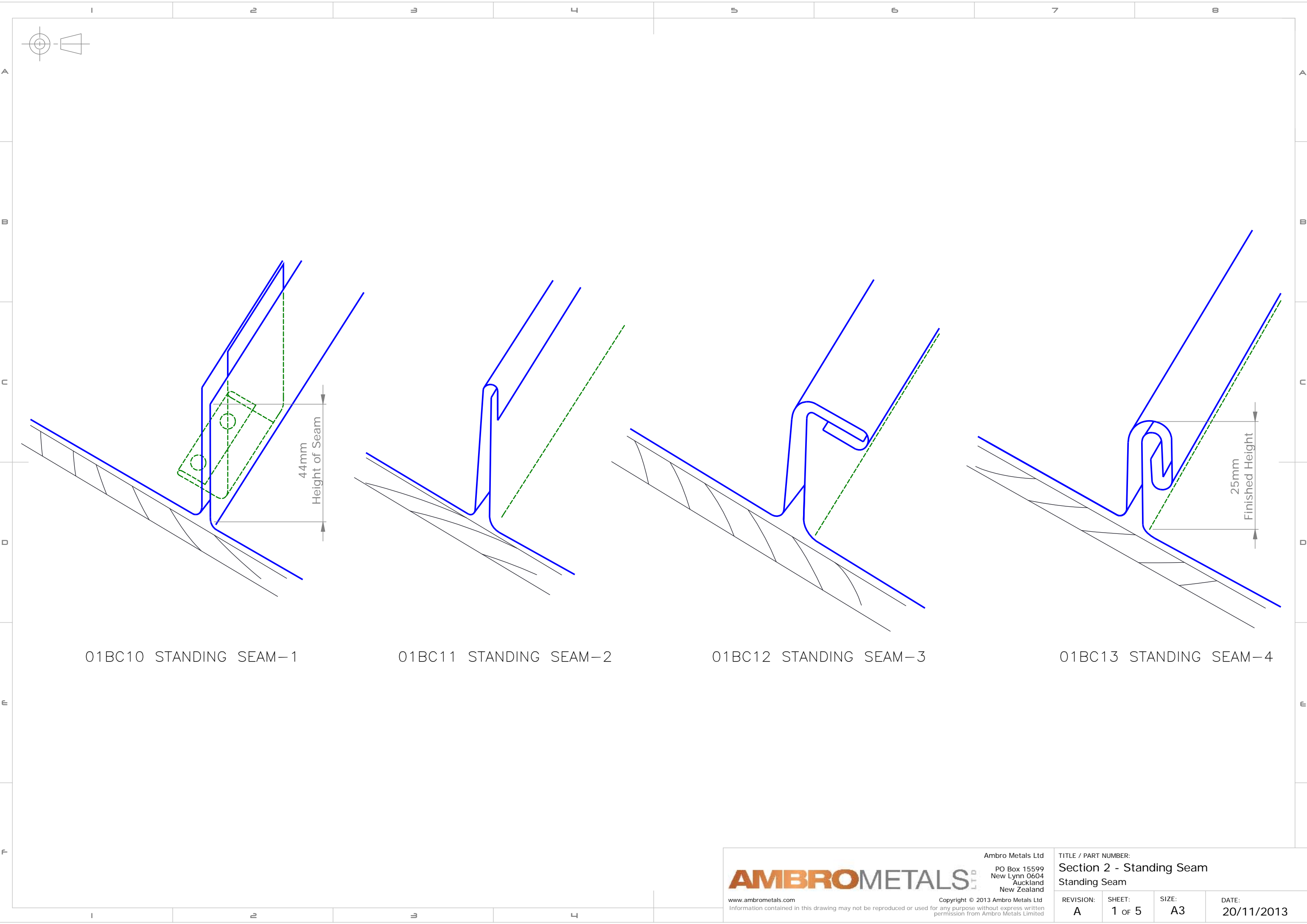
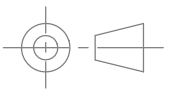


Ambro Metals Ltd
PO Box 15599
New Lynn 0604
Auckland
New Zealand

www.ambrometals.com
Copyright © 2013 Ambro Metals Ltd
Information contained in this drawing may not be reproduced or used for any purpose without express written permission from Ambro Metals Limited

TITLE / PART NUMBER:
Section 2 - Riveted Seam

REVISION:	SHEET:	SIZE:	DATE:
A	1 of 1	A3	20/11/2013



01BC10 STANDING SEAM-1

01BC11 STANDING SEAM-2

01BC12 STANDING SEAM-3

01BC13 STANDING SEAM-4

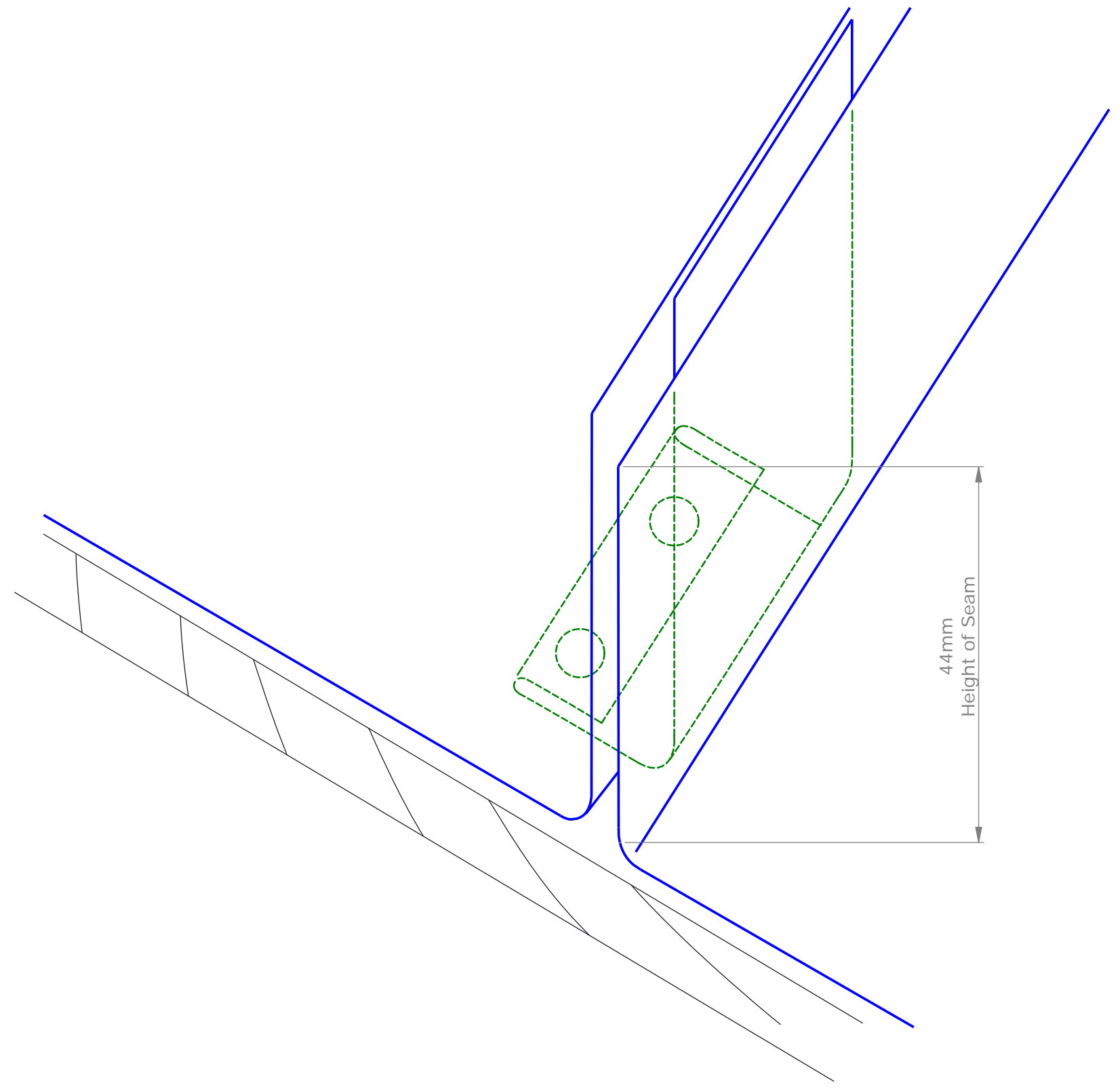
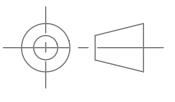


Ambro Metals Ltd
PO Box 15599
New Lynn 0604
Auckland
New Zealand

www.ambrometals.com
Copyright © 2013 Ambro Metals Ltd
Information contained in this drawing may not be reproduced or used for any purpose without express written permission from Ambro Metals Limited

TITLE / PART NUMBER:
Section 2 - Standing Seam
Standing Seam

REVISION: A	SHEET: 1 of 5	SIZE: A3	DATE: 20/11/2013
-----------------------	------------------	-------------	---------------------



01BC10 STANDING SEAM-1

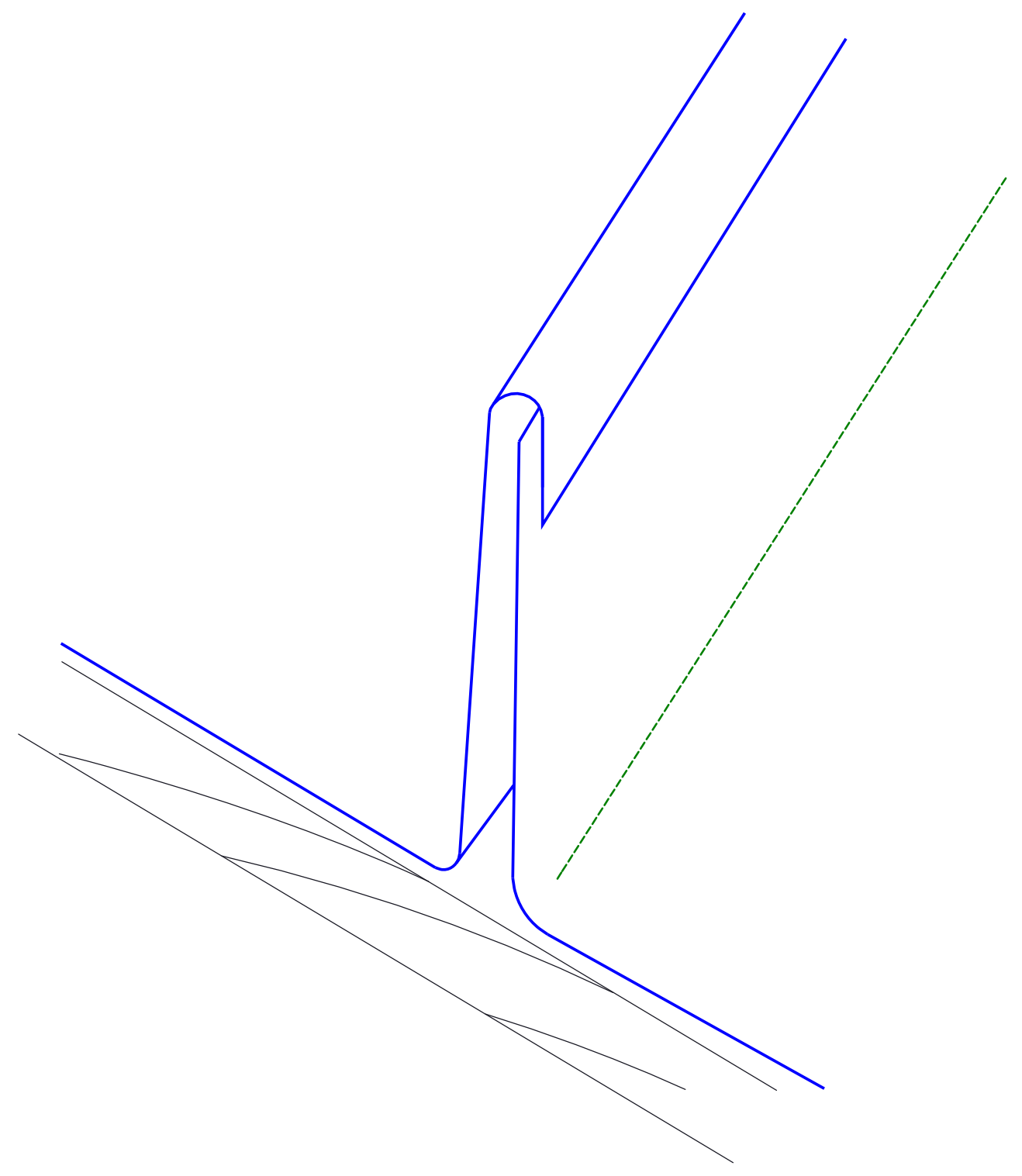
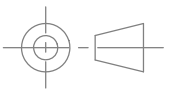


Ambro Metals Ltd
 PO Box 15599
 New Lynn 0604
 Auckland
 New Zealand

www.ambrometals.com
 Copyright © 2013 Ambro Metals Ltd
 Information contained in this drawing may not be reproduced or used for any purpose without express written permission from Ambro Metals Limited

TITLE / PART NUMBER:
Section 2 - Standing Seam
 Standing Seam 1

REVISION: A	SHEET: 2 of 5	SIZE: A3	DATE: 20/11/2013
-----------------------	------------------	--------------------	----------------------------



01BC11 STANDING SEAM-2

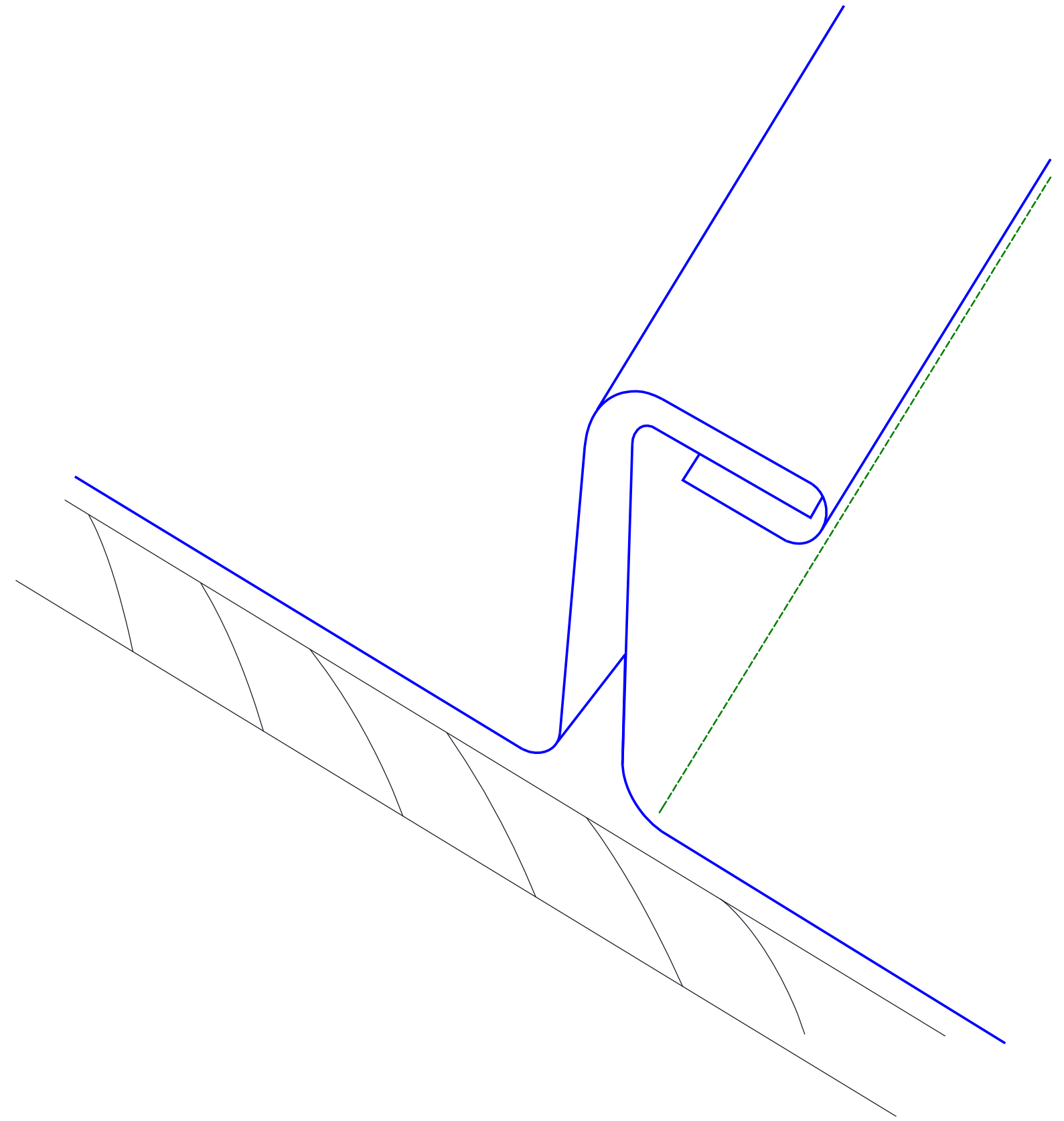
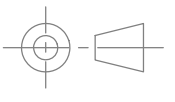


Ambro Metals Ltd
PO Box 15599
New Lynn 0604
Auckland
New Zealand

www.ambrometals.com
Copyright © 2013 Ambro Metals Ltd
Information contained in this drawing may not be reproduced or used for any purpose without express written permission from Ambro Metals Limited

TITLE / PART NUMBER:
Section 2 - Standing Seam
Standing Seam 2

REVISION: A	SHEET: 3 OF 5	SIZE: A3	DATE: 20/11/2013
-----------------------	-------------------------	--------------------	----------------------------



01BC12 STANDING SEAM-3



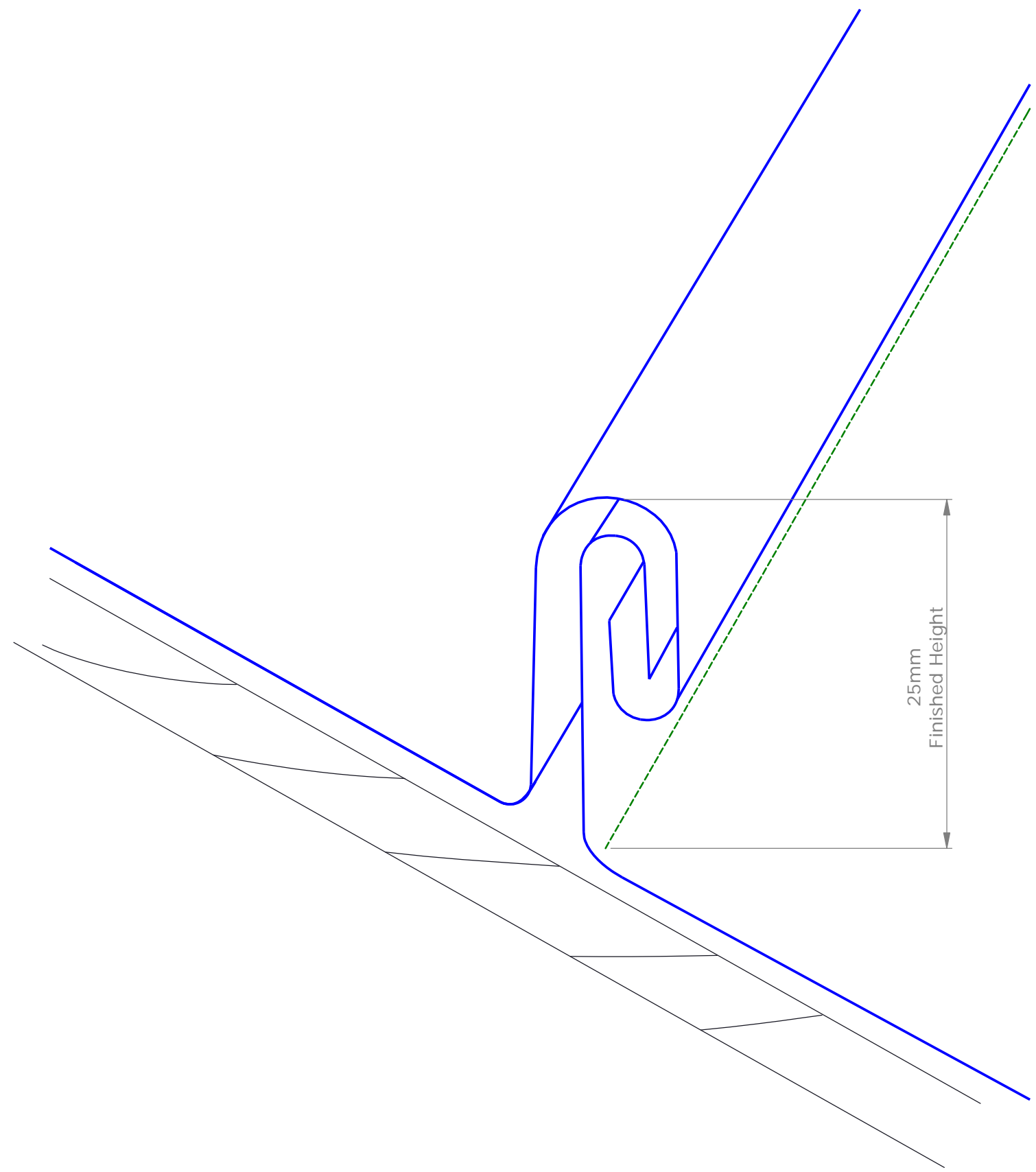
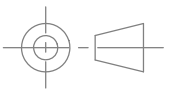
Ambro Metals Ltd
PO Box 15599
New Lynn 0604
Auckland
New Zealand

www.ambrometals.com
Information contained in this drawing may not be reproduced or used for any purpose without express written permission from Ambro Metals Limited

Copyright © 2013 Ambro Metals Ltd

TITLE / PART NUMBER:
Section 2 - Standing Seam
Standing Seam 3

REVISION: A	SHEET: 4 of 5	SIZE: A3	DATE: 20/11/2013
-----------------------	------------------	--------------------	----------------------------



25mm
Finished Height

01BC13 STANDING SEAM-4

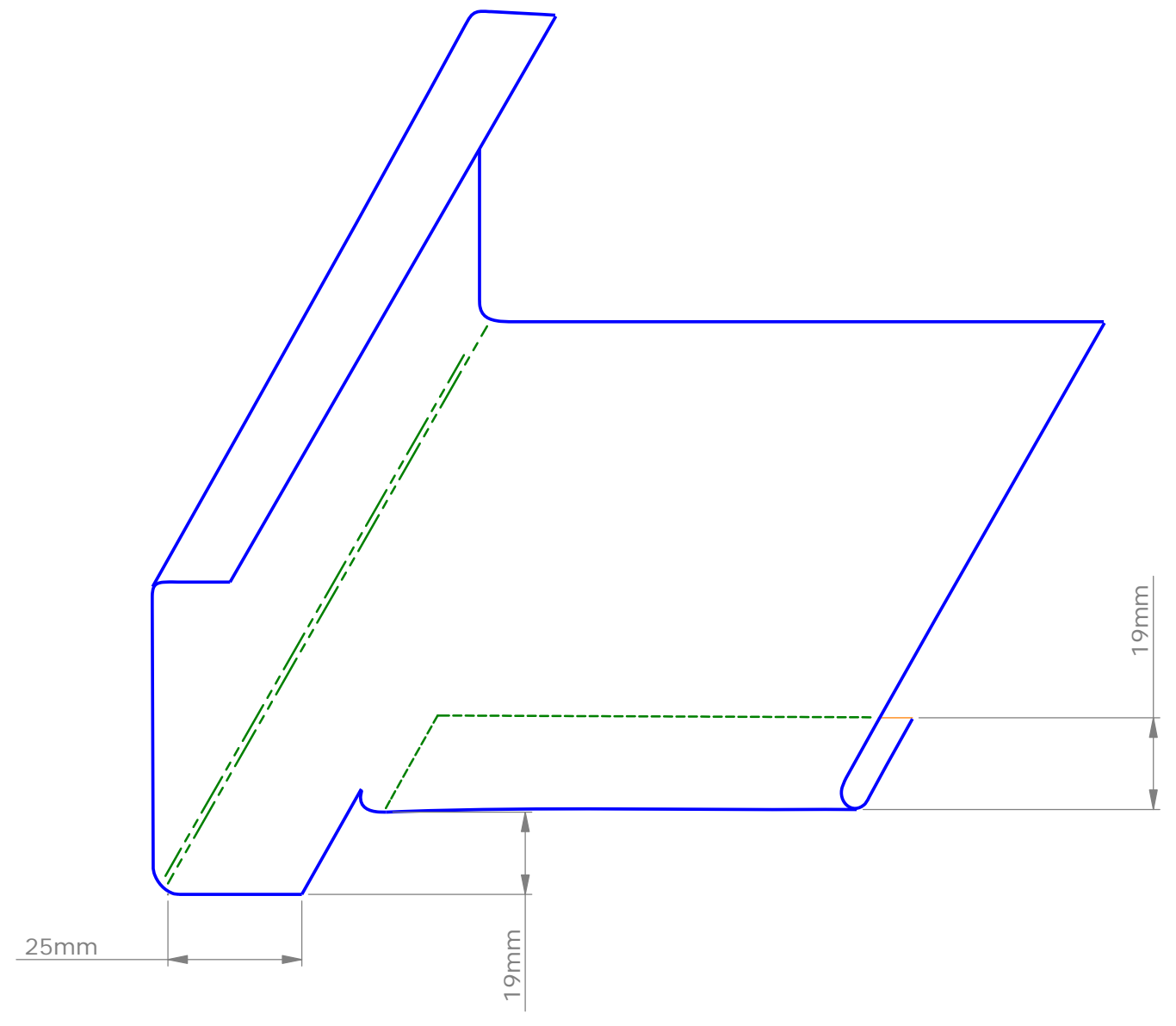
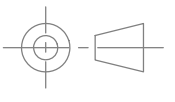


Ambro Metals Ltd
PO Box 15599
New Lynn 0604
Auckland
New Zealand

www.ambrometals.com
Copyright © 2013 Ambro Metals Ltd
Information contained in this drawing may not be reproduced or used for any purpose without express written permission from Ambro Metals Limited

TITLE / PART NUMBER:
Section 2 - Standing Seam
Standing Seam 4

REVISION: A	SHEET: 5 of 5	SIZE: A3	DATE: 20/11/2013
-----------------------	------------------	--------------------	----------------------------



01BC14 TRANSVERSE SEAM—STEEP SLOPE—A

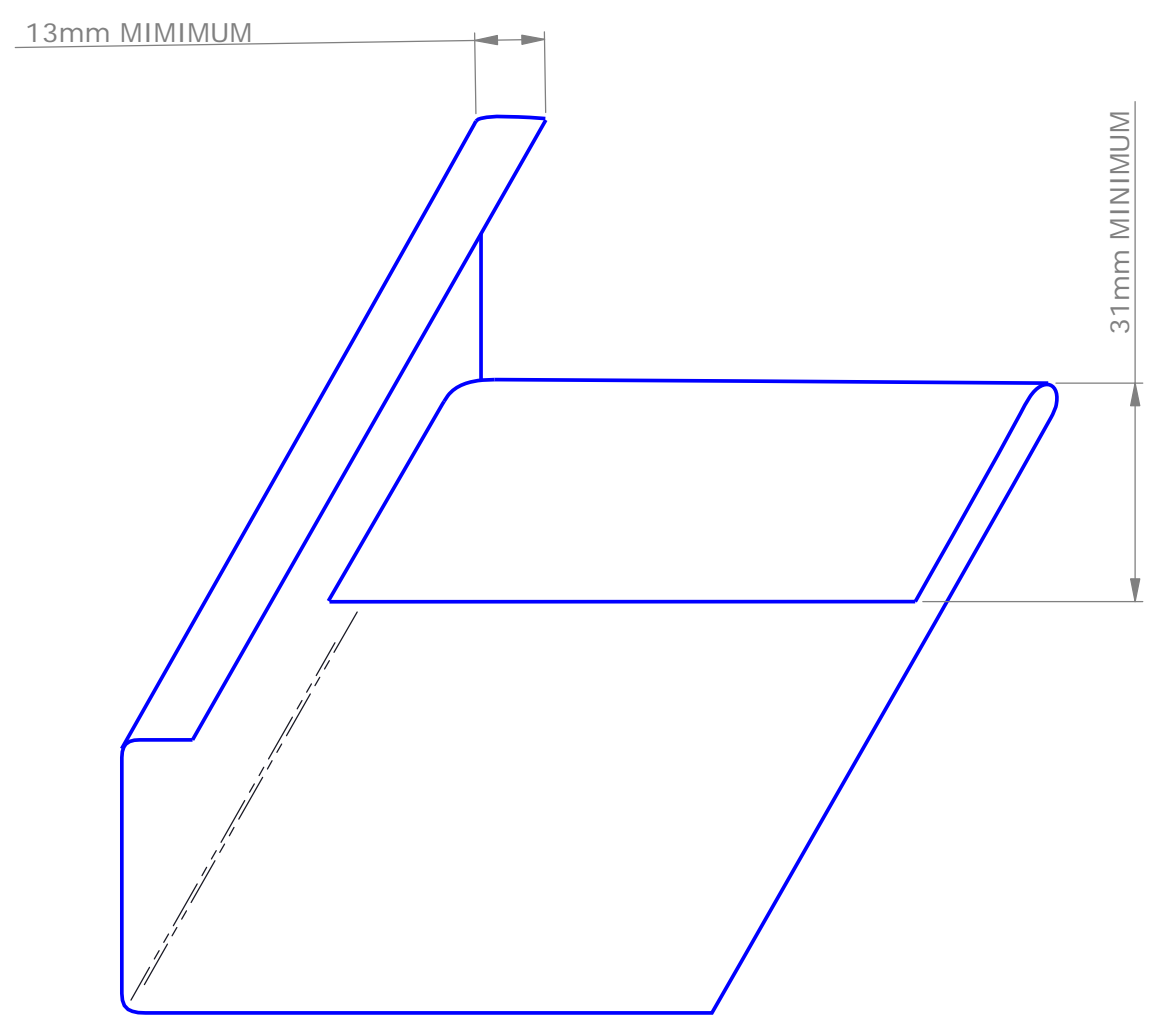
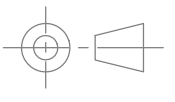


Ambro Metals Ltd
PO Box 15599
New Lynn 0604
Auckland
New Zealand

www.ambrometals.com
Information contained in this drawing may not be reproduced or used for any purpose without express written permission from Ambro Metals Limited

TITLE / PART NUMBER:
Section 2 - Transverse Seams
Transverse Seam - Steep Slope A

REVISION: A	SHEET: 1 of 4	SIZE: A3	DATE: 20/11/2013
----------------	------------------	-------------	---------------------



01BC15 TRANSVERSE SEAM—STEEP SLOPE—B



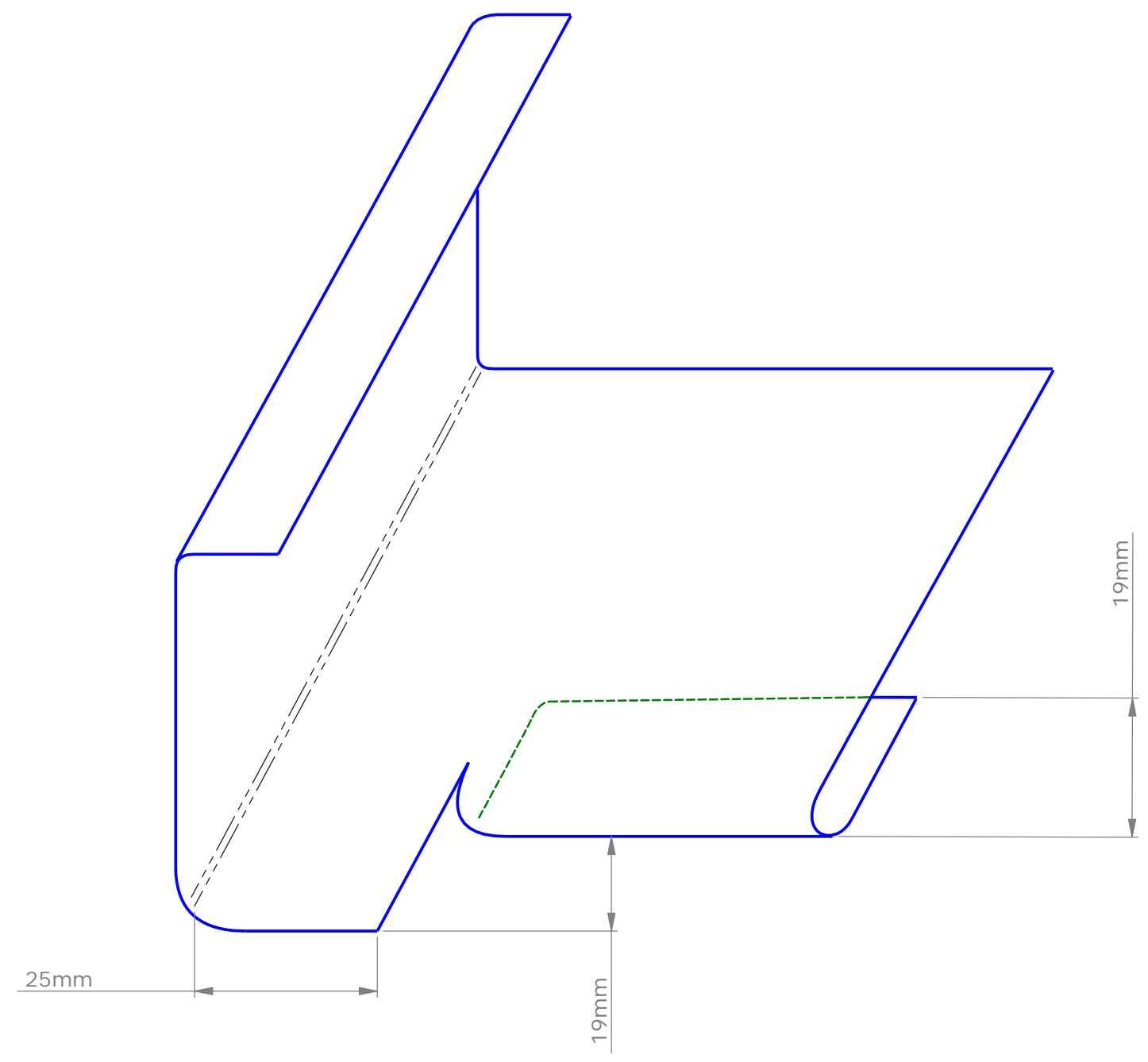
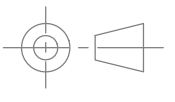
Ambro Metals Ltd
PO Box 15599
New Lynn 0604
Auckland
New Zealand

www.ambrometals.com
Information contained in this drawing may not be reproduced or used for any purpose without express written permission from Ambro Metals Limited

Copyright © 2013 Ambro Metals Ltd

TITLE / PART NUMBER:
Section 2 - Transverse Seam
Transverse Seam - Steep Slope B

REVISION: A	SHEET: 2 OF 4	SIZE: A3	DATE: 20/11/2013
----------------	------------------	-------------	---------------------



01BC16 TRANSVERSE SEAM—LOW SLOPE—A



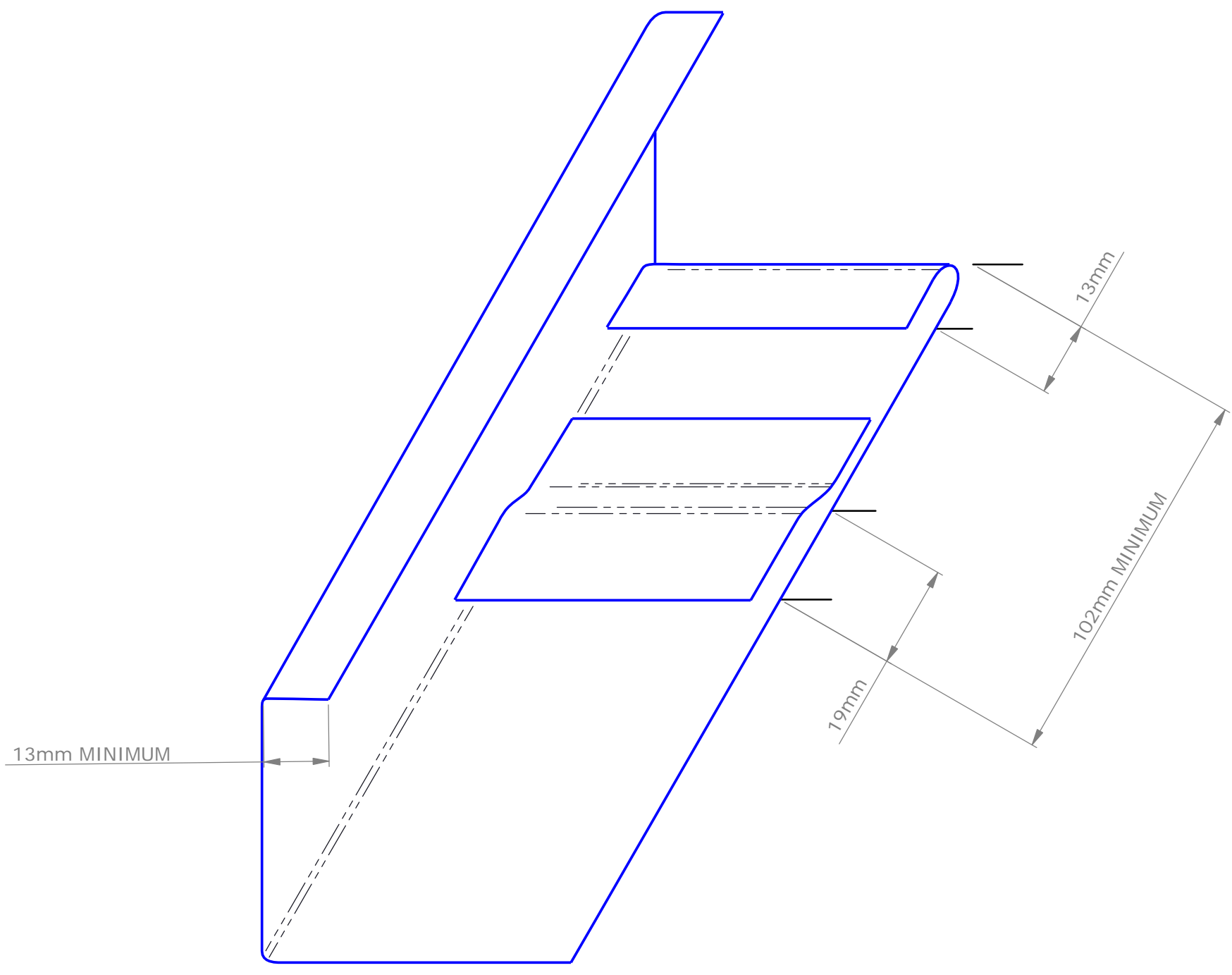
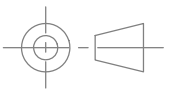
Ambro Metals Ltd
PO Box 15599
New Lynn 0604
Auckland
New Zealand

www.ambrometals.com
Information contained in this drawing may not be reproduced or used for any purpose without express written permission from Ambro Metals Limited

Copyright © 2013 Ambro Metals Ltd

TITLE / PART NUMBER:
Section 2 - Transverse Seam
Transverse Seam - Low Slope A

REVISION: A	SHEET: 3 OF 4	SIZE: A3	DATE: 20/11/2013
----------------	------------------	-------------	---------------------



01BC17 TRANSVERSE SEAM—LOW SLOPE—B



Ambro Metals Ltd
PO Box 15599
New Lynn 0604
Auckland
New Zealand

www.ambrometals.com
Information contained in this drawing may not be reproduced or used for any purpose without express written permission from Ambro Metals Limited

Copyright © 2013 Ambro Metals Ltd

TITLE / PART NUMBER:
Section 2 - Transverse Seam
Transverse Seam - Low Slope B

REVISION: A	SHEET: 4 OF 4	SIZE: A3	DATE: 20/11/2013
----------------	------------------	-------------	---------------------