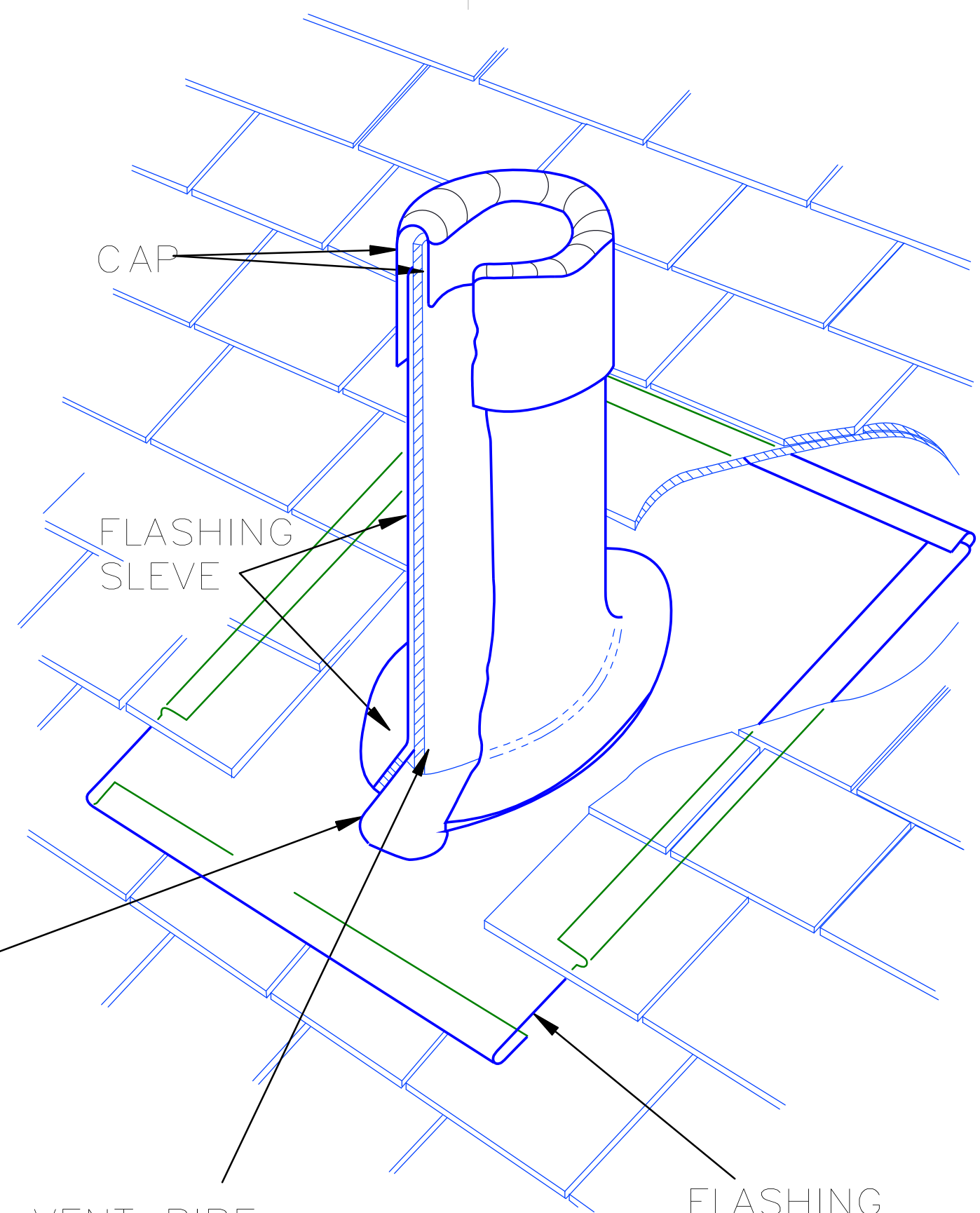
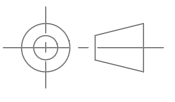


03GS05 SECTION A-A



LAP
SEAM
SOLDER

VENT PIPE
(STAINLESS STEEL TUBE)

FLASHING

03RP03 VENT PIPE

AMBROMETALS

Ambro Metals Ltd
PO Box 15599
New Lynn 0604
Auckland
New Zealand

www.ambrometals.com
Information contained in this drawing may not be reproduced or used for any purpose without express written permission from Ambro Metals Limited

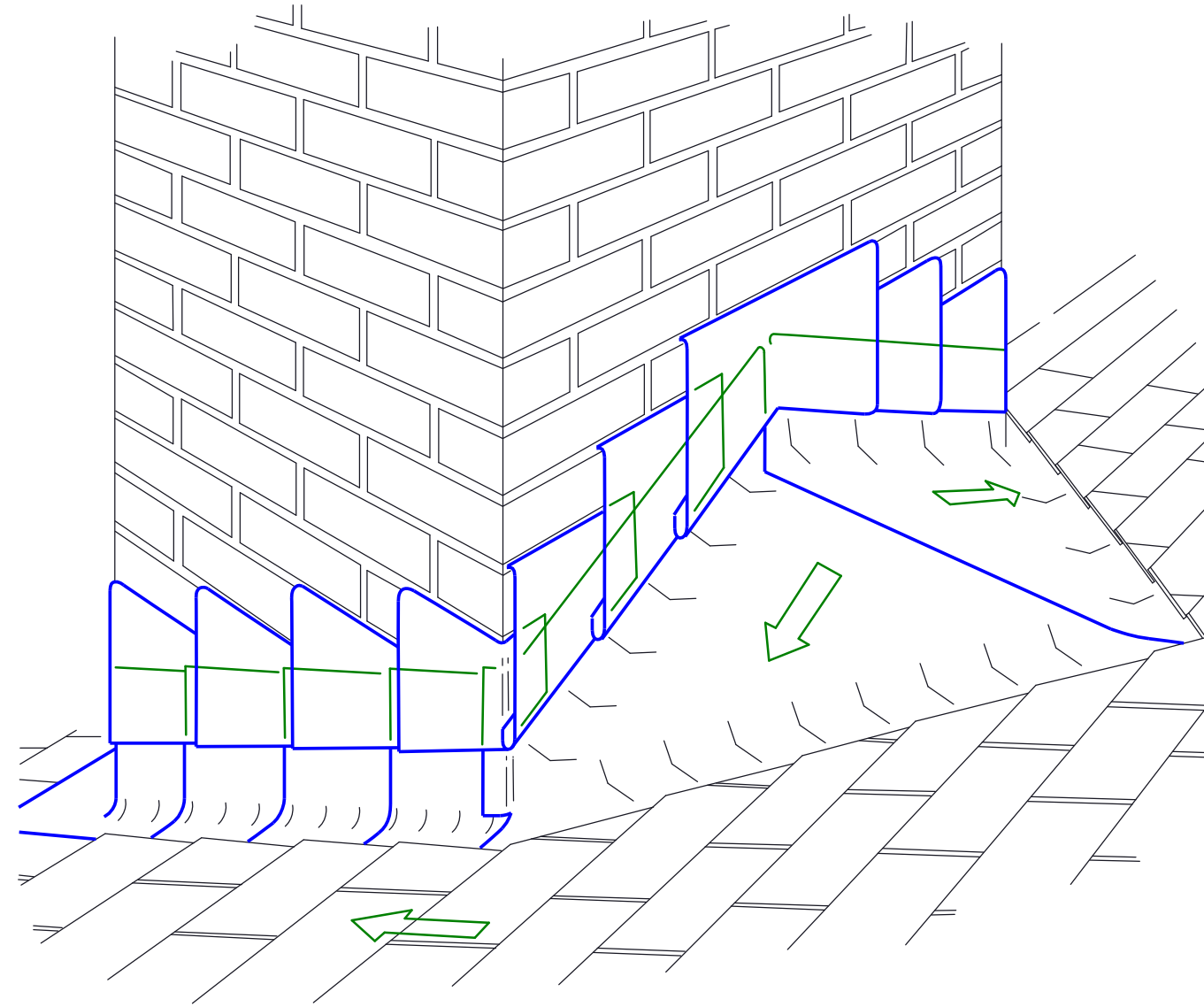
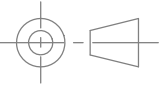
TITLE / PART NUMBER:
Section 4 - A Roofs
4 - Vent Pipe

REVISION:
A

SHEET:
1 of 1

SIZE:
A3

DATE:
22/11/2013



03RP02 CRICKET

AMBROMETALS

www.ambrometals.com

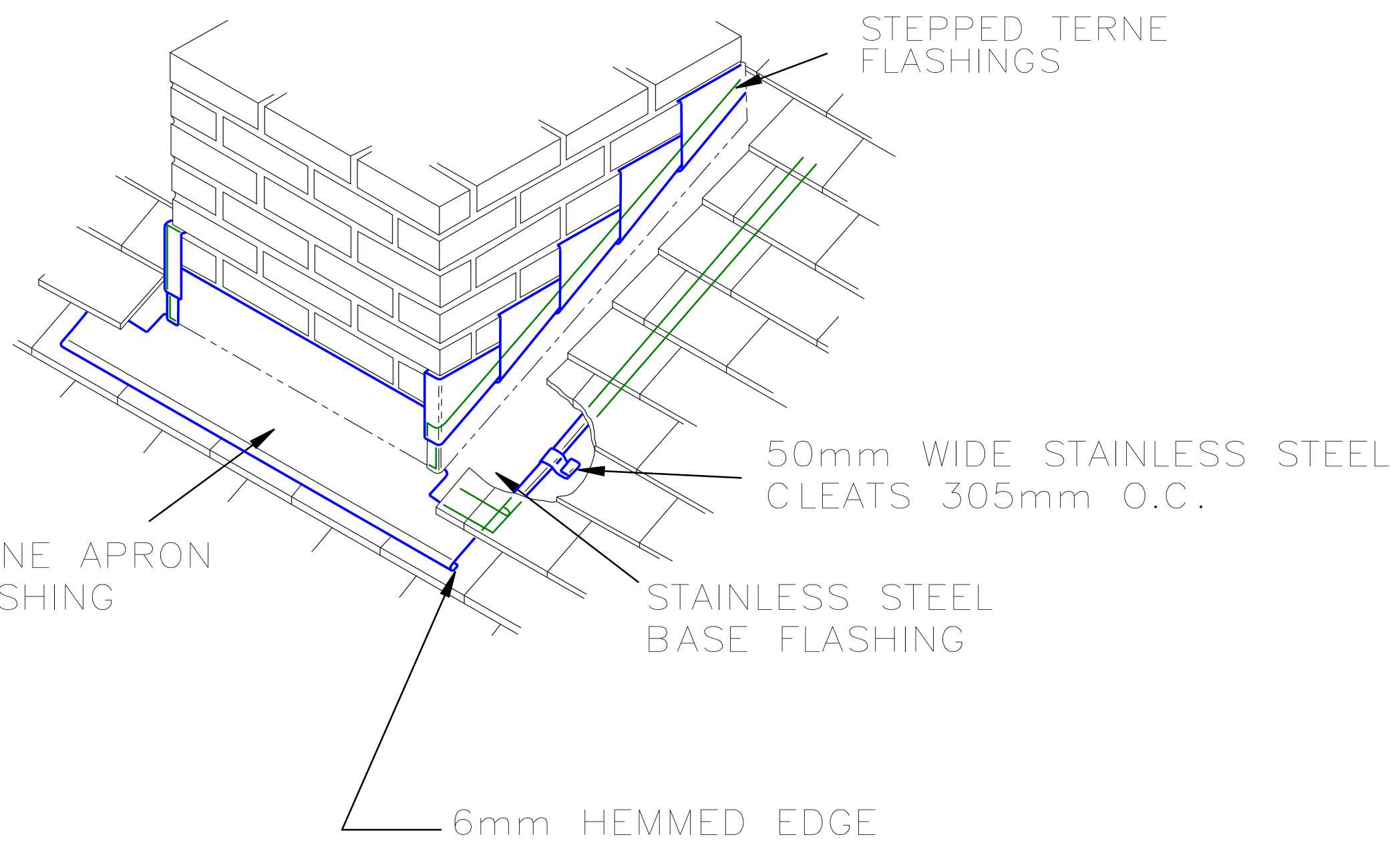
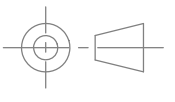
Information contained in this drawing may not be reproduced or used for any purpose without express written permission from Ambro Metals Limited

Ambro Metals Ltd
PO Box 15599
New Lynn 0604
Auckland
New Zealand

Copyright © 2013 Ambro Metals Ltd

TITLE / PART NUMBER:
Section 4 - A Roofs
4 - Cricket

REVISION:	SHEET:	SIZE:	DATE:
A	1 of 1	A3	22/11/2013



TERNE APRON FLASHING

STEPPED TERNE FLASHINGS

50mm WIDE STAINLESS STEEL CLEATS 305mm O.C.

STAINLESS STEEL BASE FLASHING

6mm HEMMED EDGE

03RP01 CHIMNEY FLASHING

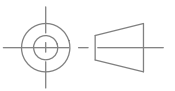


Ambro Metals Ltd
PO Box 15599
New Lynn 0604
Auckland
New Zealand

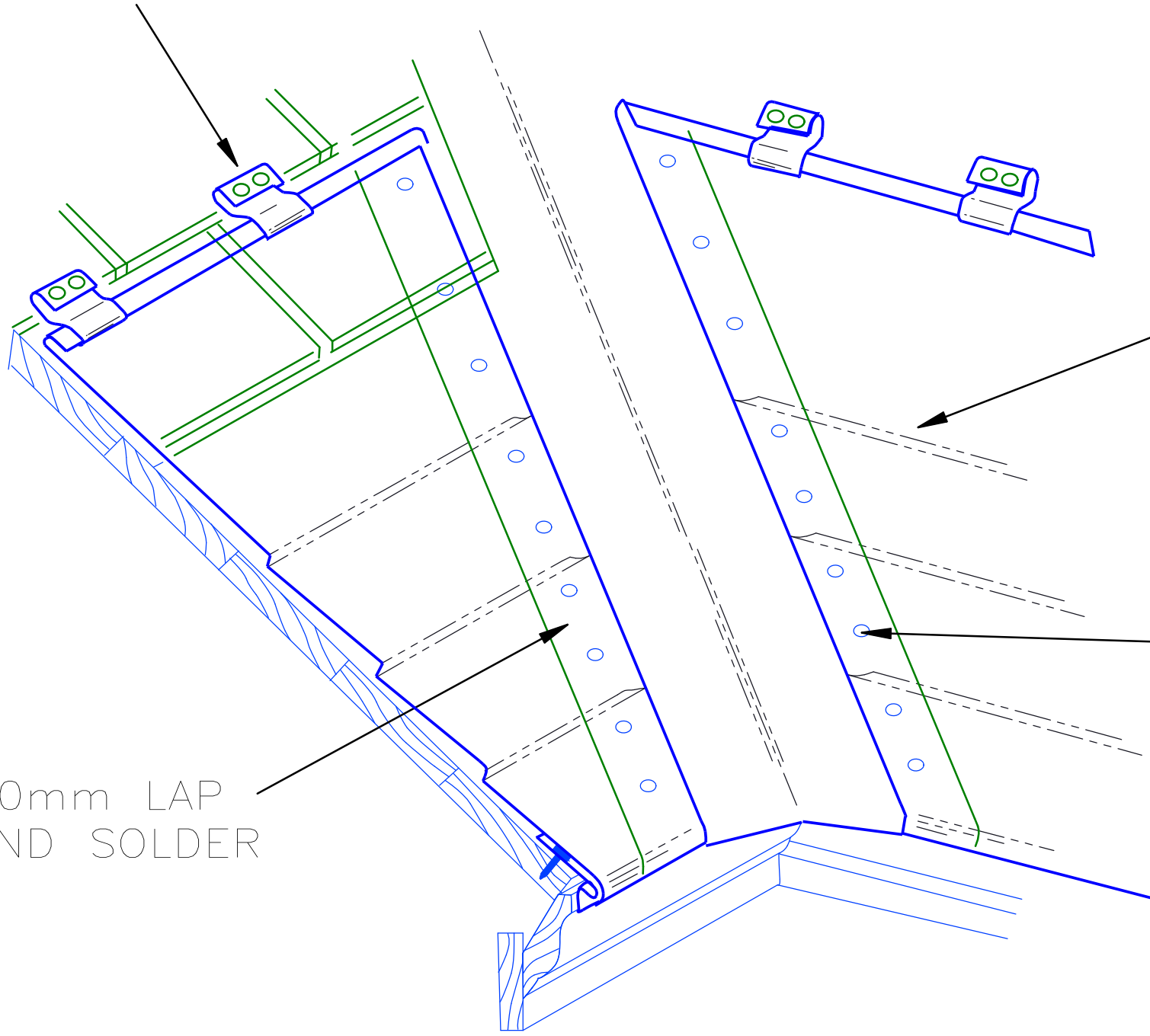
www.ambrometals.com
Copyright © 2013 Ambro Metals Ltd
Information contained in this drawing may not be reproduced or used for any purpose without express written permission from Ambro Metals Limited

TITLE / PART NUMBER:
Section 4 - A Roofs
4 - Chimney Flashings

REVISION:	SHEET:	SIZE:	DATE:
A	1 of 1	A3	22/11/2013



76mm STAINLESS STEEL CLEATS
505mm O.C.

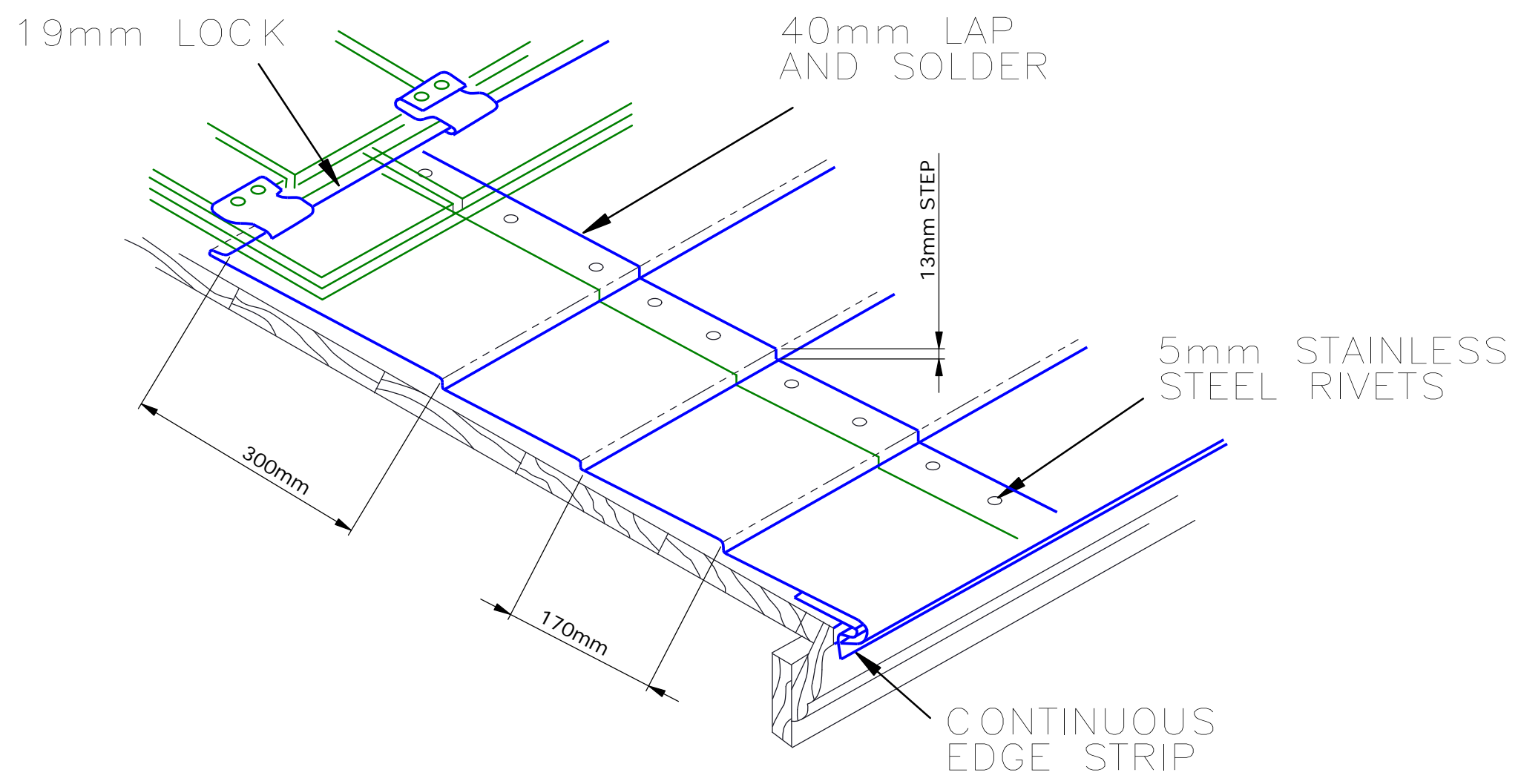


13mm STEPS
FLATTENED DOWN

5mm
STAINLESS
STEEL RIVETS

40mm LAP
AND SOLDER

03EF06 VALLEY



03EF03 TRANSVERSE JOINT

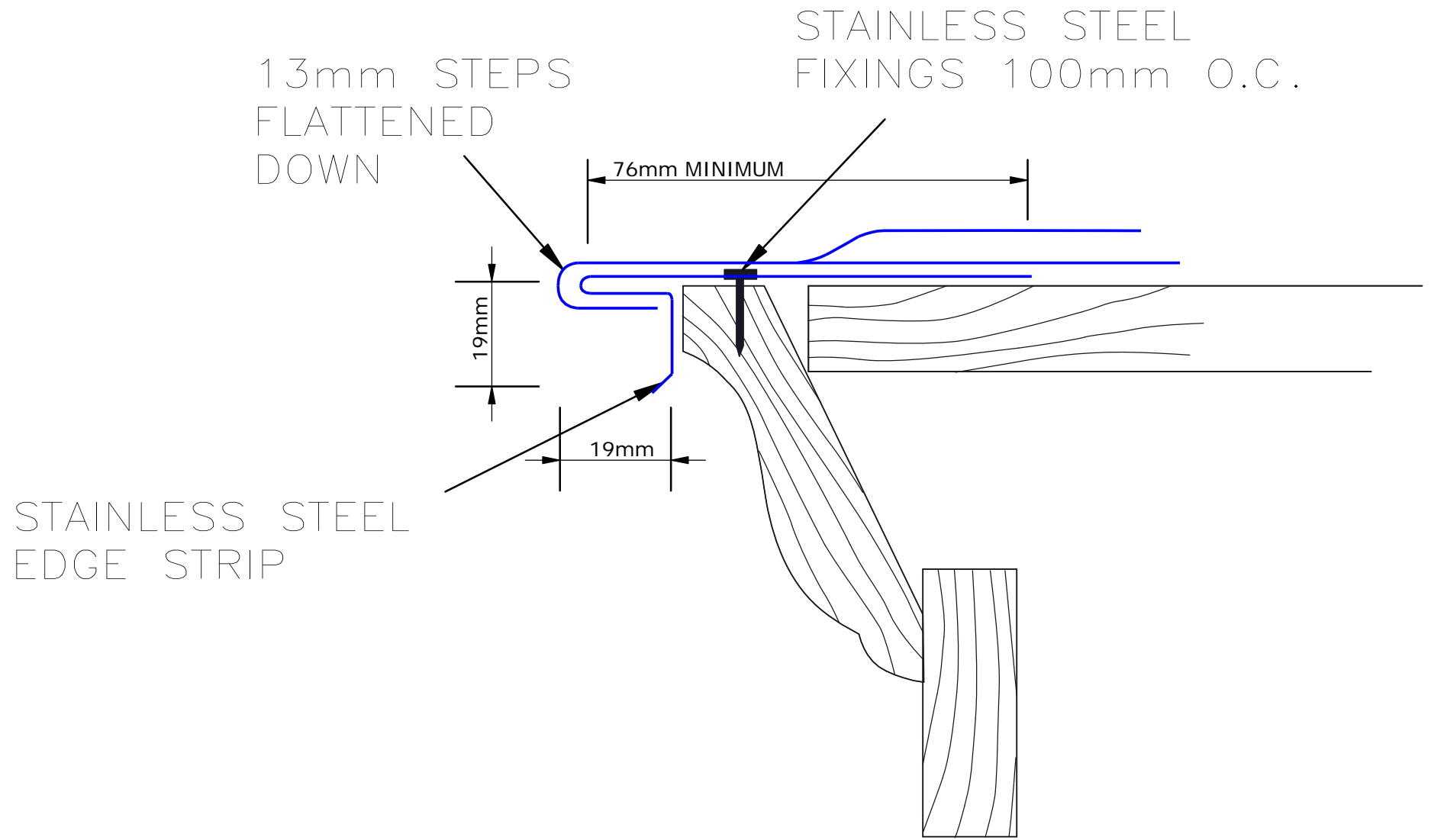
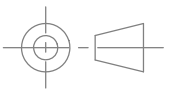


Ambro Metals Ltd
 PO Box 15599
 New Lynn 0604
 Auckland
 New Zealand

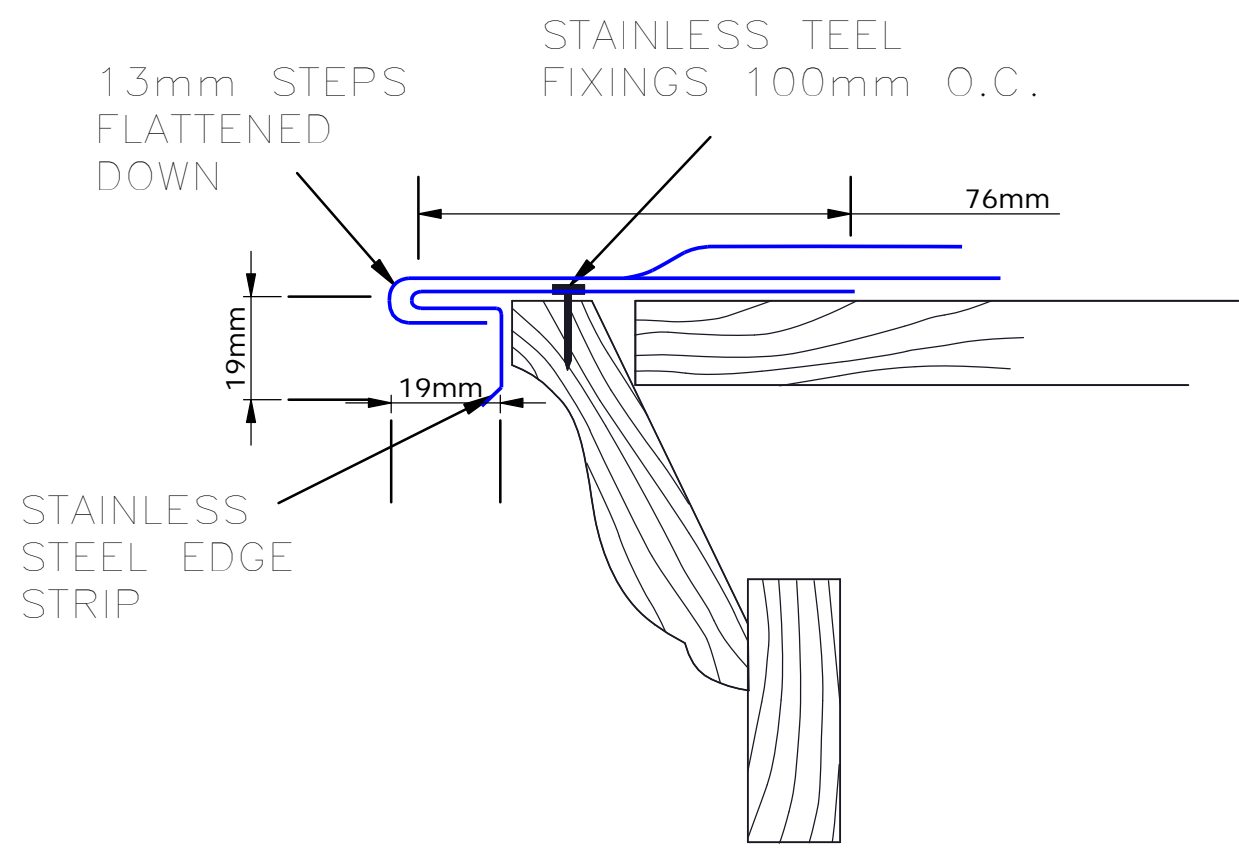
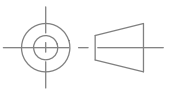
www.ambrometals.com
 Copyright © 2013 Ambro Metals Ltd
 Information contained in this drawing may not be reproduced or used for any purpose without express written permission from Ambro Metals Limited

TITLE / PART NUMBER:
Section 4 - A Roofs
 3 - Transverse Joint

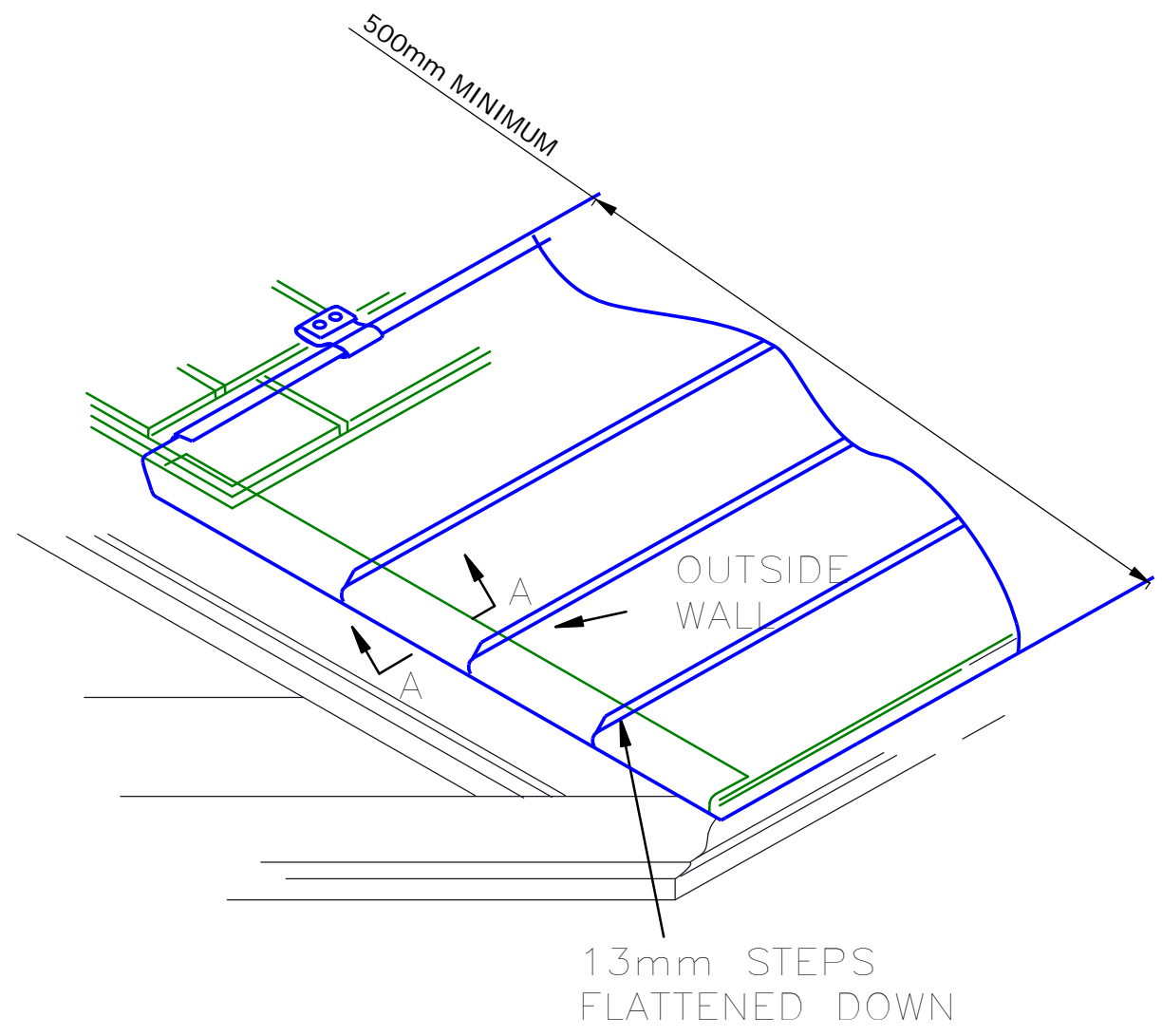
REVISION: A	SHEET: 1 of 1	SIZE: A3	DATE: 22/11/2013
-----------------------	-------------------------	--------------------	----------------------------



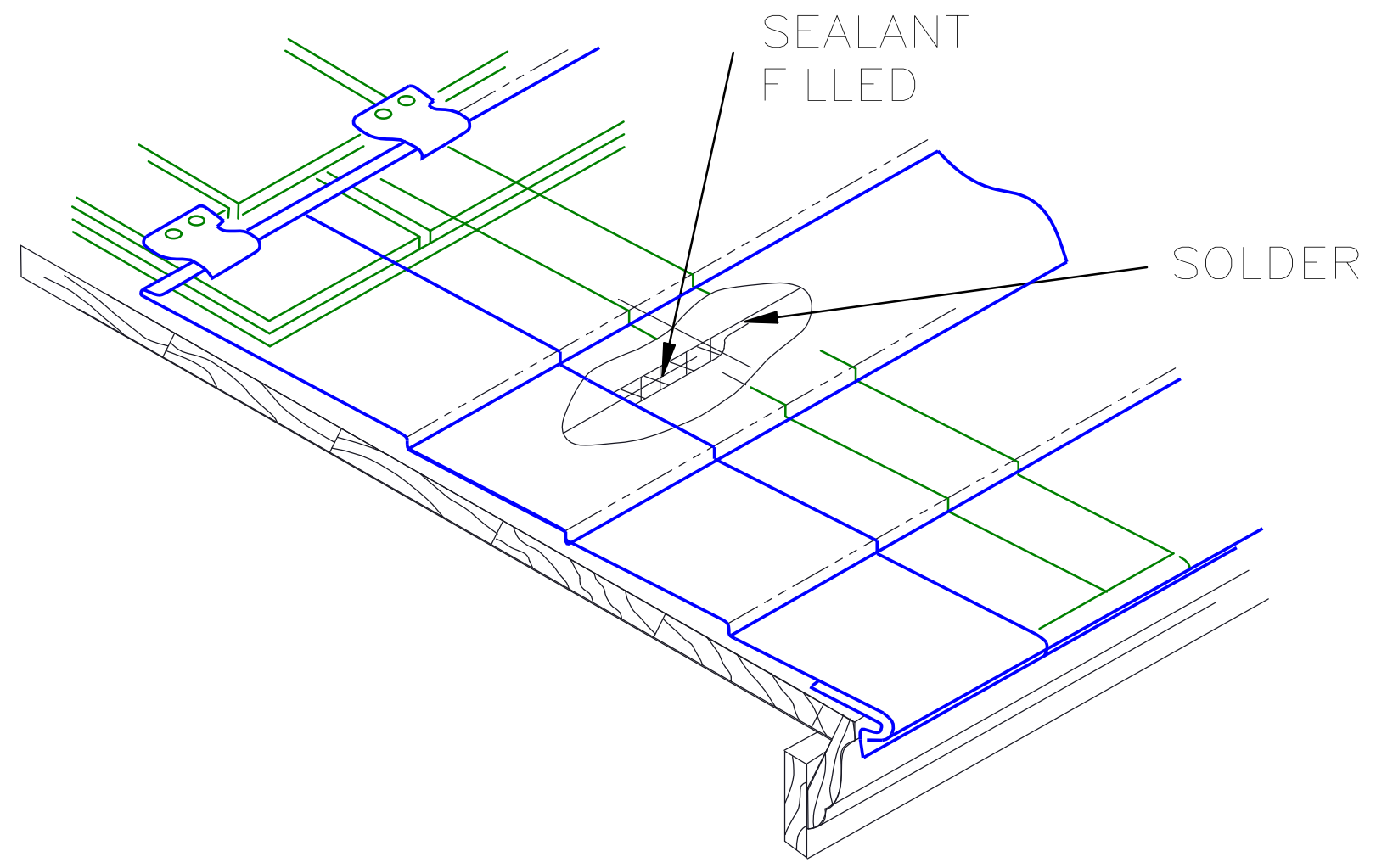
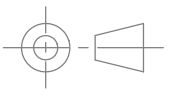
03EF04 SECTION A-A



03EF04 SECTION A-A



03EF01 GABLE END



03EF02 EXPANSION JOINT

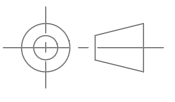


Ambro Metals Ltd
PO Box 15599
New Lynn 0604
Auckland
New Zealand

www.ambrometals.com
Copyright © 2013 Ambro Metals Ltd
Information contained in this drawing may not be reproduced or used for any purpose without express written permission from Ambro Metals Limited

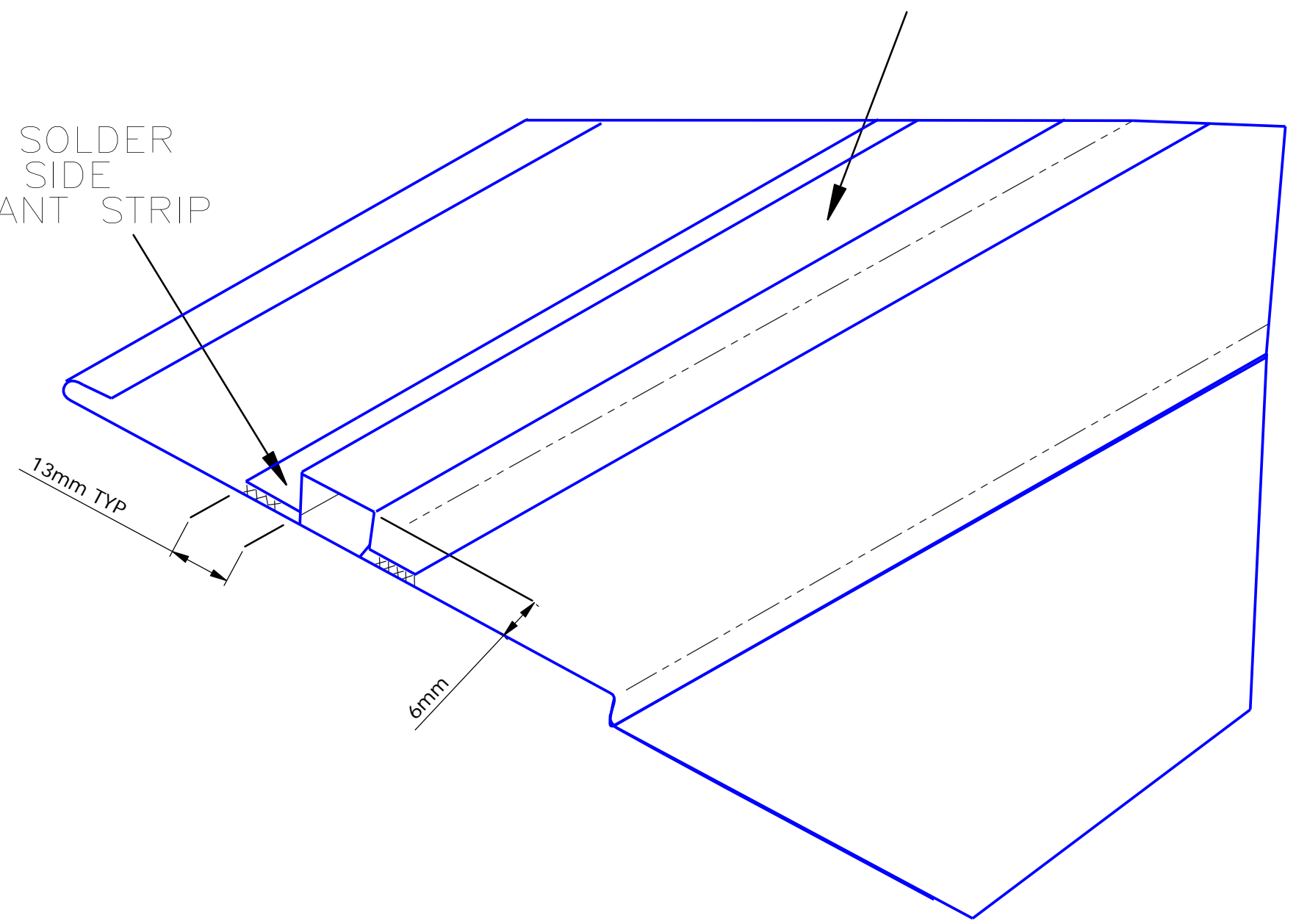
TITLE / PART NUMBER:
Section 4 - A Roofs
3 - Expansion Joint

REVISION: A	SHEET: 1 of 1	SIZE: A3	DATE: 22/11/2013
----------------	------------------	-------------	---------------------



TERNE CANT STRIP

TACK SOLDER
EACH SIDE
OF CANT STRIP



03EF05 CANT STRIP

AMBROMETALS

Ambro Metals Ltd
PO Box 15599
New Lynn 0604
Auckland
New Zealand

www.ambrometals.com
Copyright © 2013 Ambro Metals Ltd
Information contained in this drawing may not be reproduced or used for any purpose without express written permission from Ambro Metals Limited

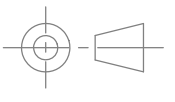
TITLE / PART NUMBER:
Section 4 - A Roofs
3 - Cant Strip

REVISION:
A

SHEET:
1 OF 1

SIZE:
A3

DATE:
22/11/2013



NAIL EACH SHEET AT TOP EDGE ONLY,
USING STAINLESS STEEL FIXINGS

50mm WIDE STAINLESS
STEEL CLEATS 600mm O.C.

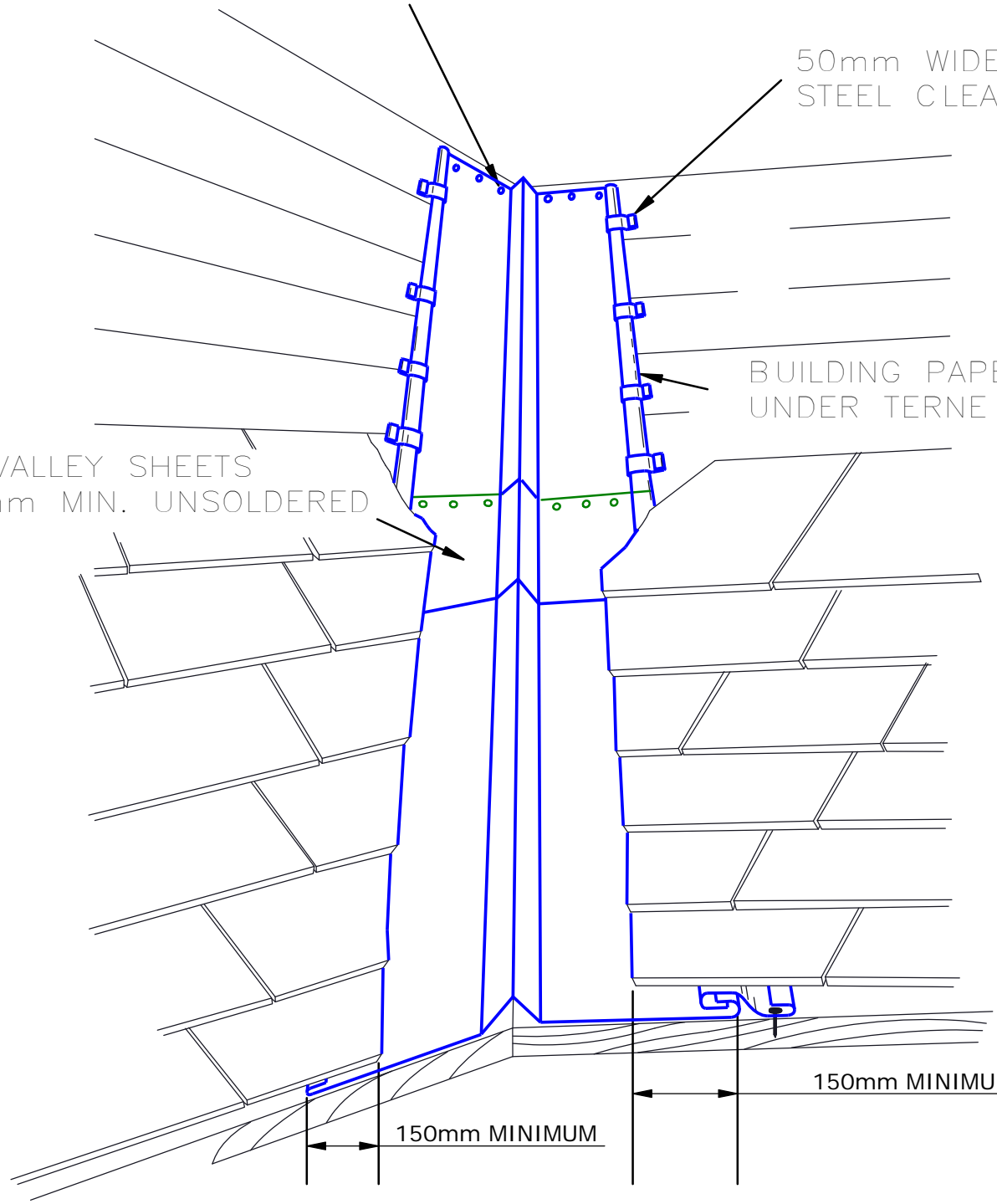
BUILDING PAPER
UNDER TERNE

LAP VALLEY SHEETS
200mm MIN. UNSOLDERED

150mm MINIMUM

150mm MINIMUM

03VF02 FOR UNEQUAL SLOPES



AMBROMETALS

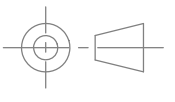
Ambro Metals Ltd
PO Box 15599
New Lynn 0604
Auckland
New Zealand

TITLE / PART NUMBER:
Section 4 - A Roofs
2 - For Unequal Slopes

www.ambrometals.com
Information contained in this drawing may not be reproduced or used for any purpose without express written permission from Ambro Metals Limited

Copyright © 2013 Ambro Metals Ltd

REVISION: A	SHEET: 1 of 1	SIZE: A3	DATE: 22/11/2013
-----------------------	------------------	--------------------	----------------------------



NAIL EACH SHEET AT TOP EDGE ONLY,
USING STAINLESS STEEL FIXINGS

50mm WIDE
STAINLESS
STEEL CLEATS
600mm O.C.

BUILDING PAPER
UNDER TERNE

LAP VALLEY SHEETS
150mm MIN. UNSOLDERED

150mm MINIMUM

150mm MINIMUM

03VF01 FOR EQUAL SLOPES

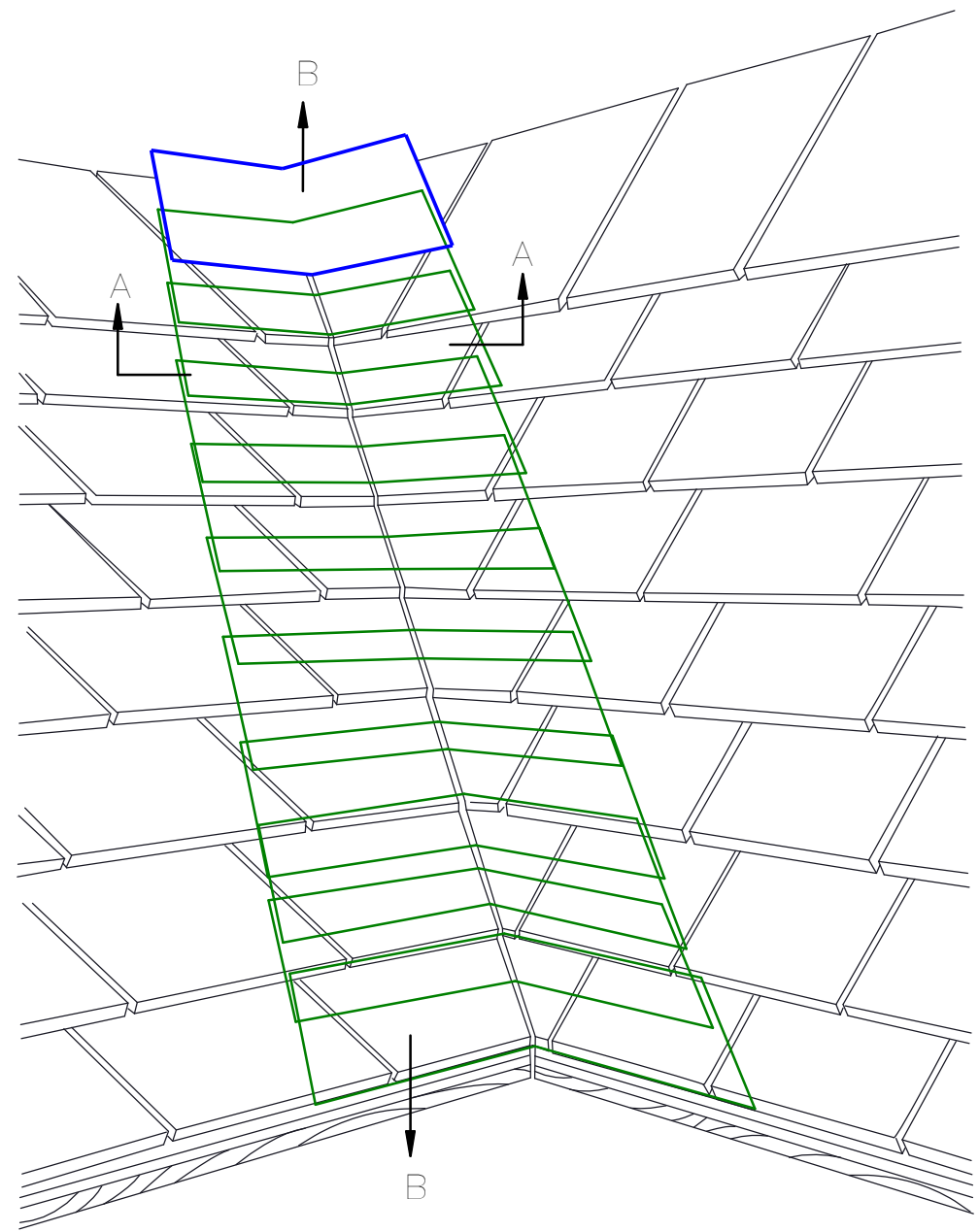
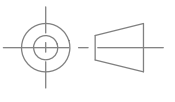
AMBROMETALS

Ambro Metals Ltd
PO Box 15599
New Lynn 0604
Auckland
New Zealand

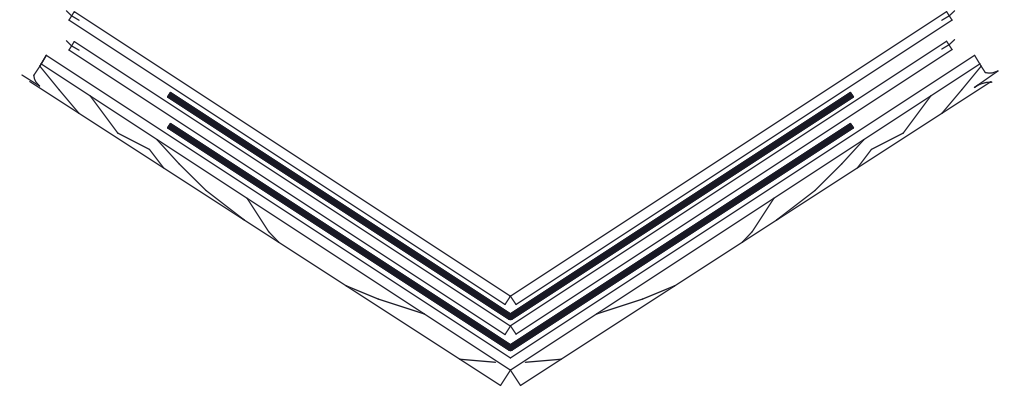
www.ambrometals.com
Copyright © 2013 Ambro Metals Ltd
Information contained in this drawing may not be reproduced or used for any purpose without express written permission from Ambro Metals Limited

TITLE / PART NUMBER:
Section 4 - A Roofs
2 - For Equal Slopes

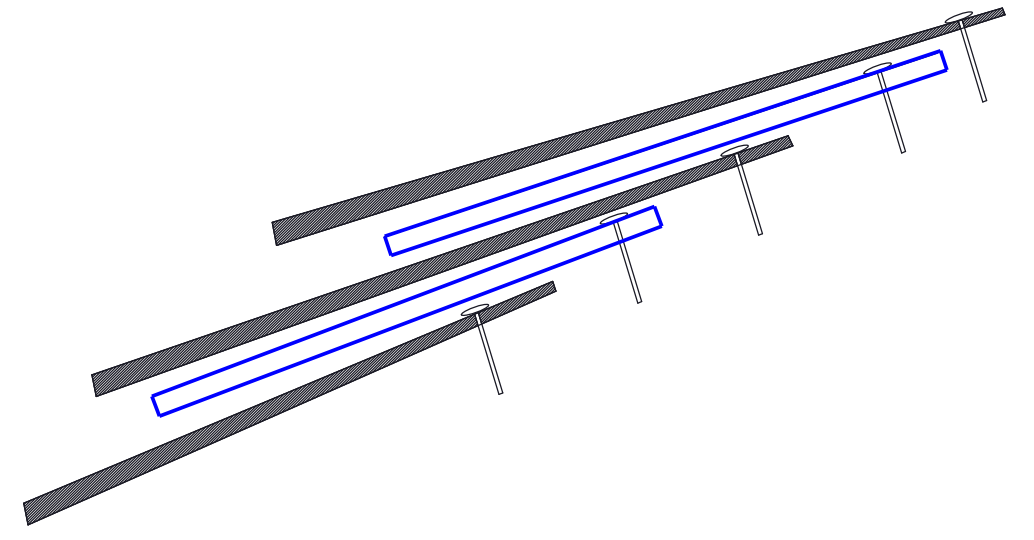
REVISION: A	SHEET: 1 of 1	SIZE: A3	DATE: 22/11/2013
-----------------------	------------------	--------------------	----------------------------



03VF05 CLOSED VALLEY



03VF04 SECTION A-A



03VF03 SECTION B-B

AMBROMETALS

www.ambrometals.com

Ambro Metals Ltd
PO Box 15599
New Lynn 0604
Auckland
New Zealand

Copyright © 2013 Ambro Metals Ltd
Information contained in this drawing may not be reproduced or used for any purpose without express written permission from Ambro Metals Limited

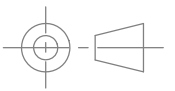
TITLE / PART NUMBER:
Section 4 - A Roofs
2 - Closed Valley

REVISION:
A

SHEET:
1 of 1

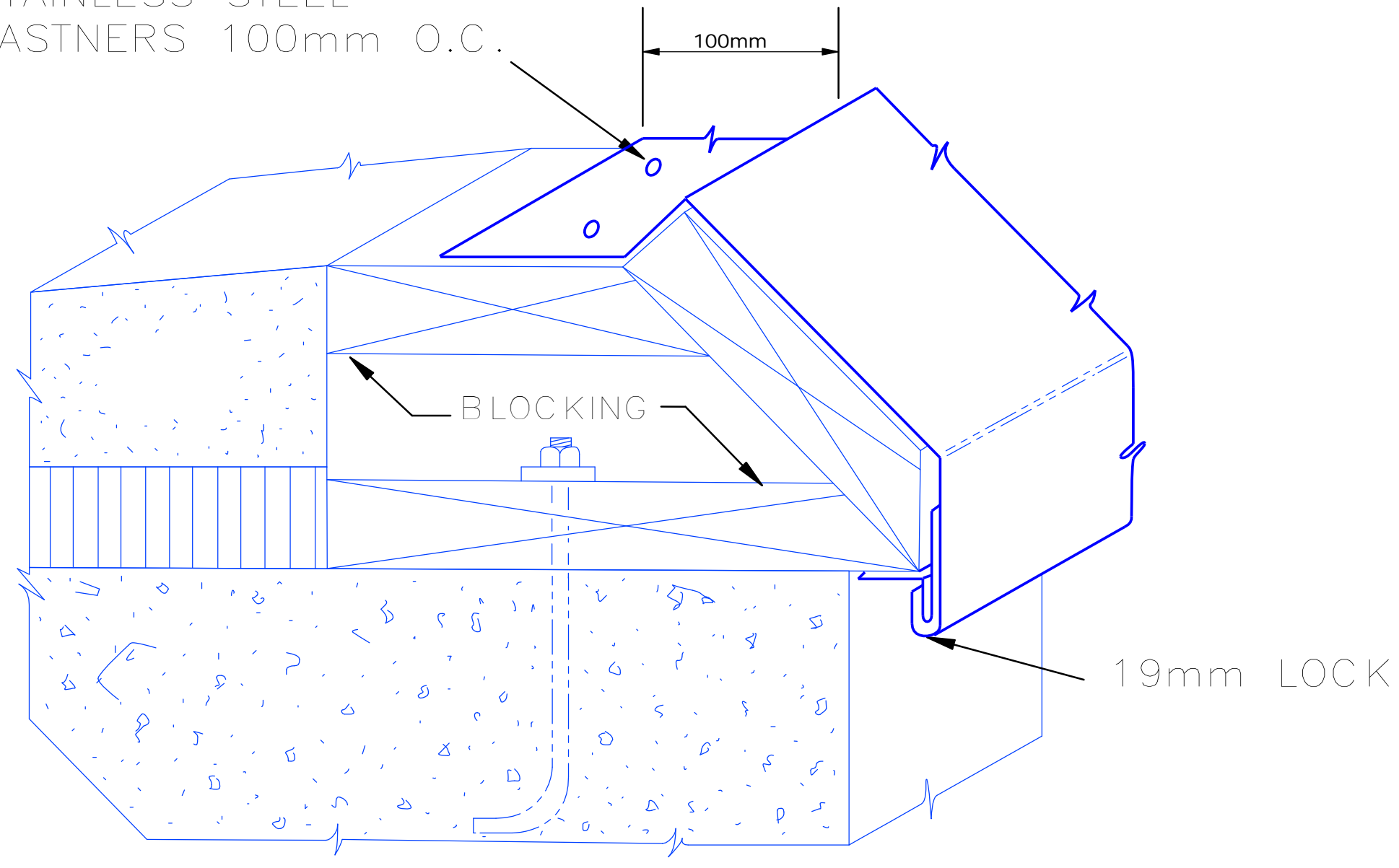
SIZE:
A3

DATE:
22/11/2013



STAINLESS STEEL
FASTNERS 100mm O.C.

100mm



03GS01 GRAVEL STOPS—WITH NAIL EDGE SECUREMENT

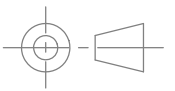
AMBROMETALS

Ambro Metals Ltd
PO Box 15599
New Lynn 0604
Auckland
New Zealand

www.ambrometals.com
Copyright © 2013 Ambro Metals Ltd
Information contained in this drawing may not be reproduced or used for any purpose without express written permission from Ambro Metals Limited

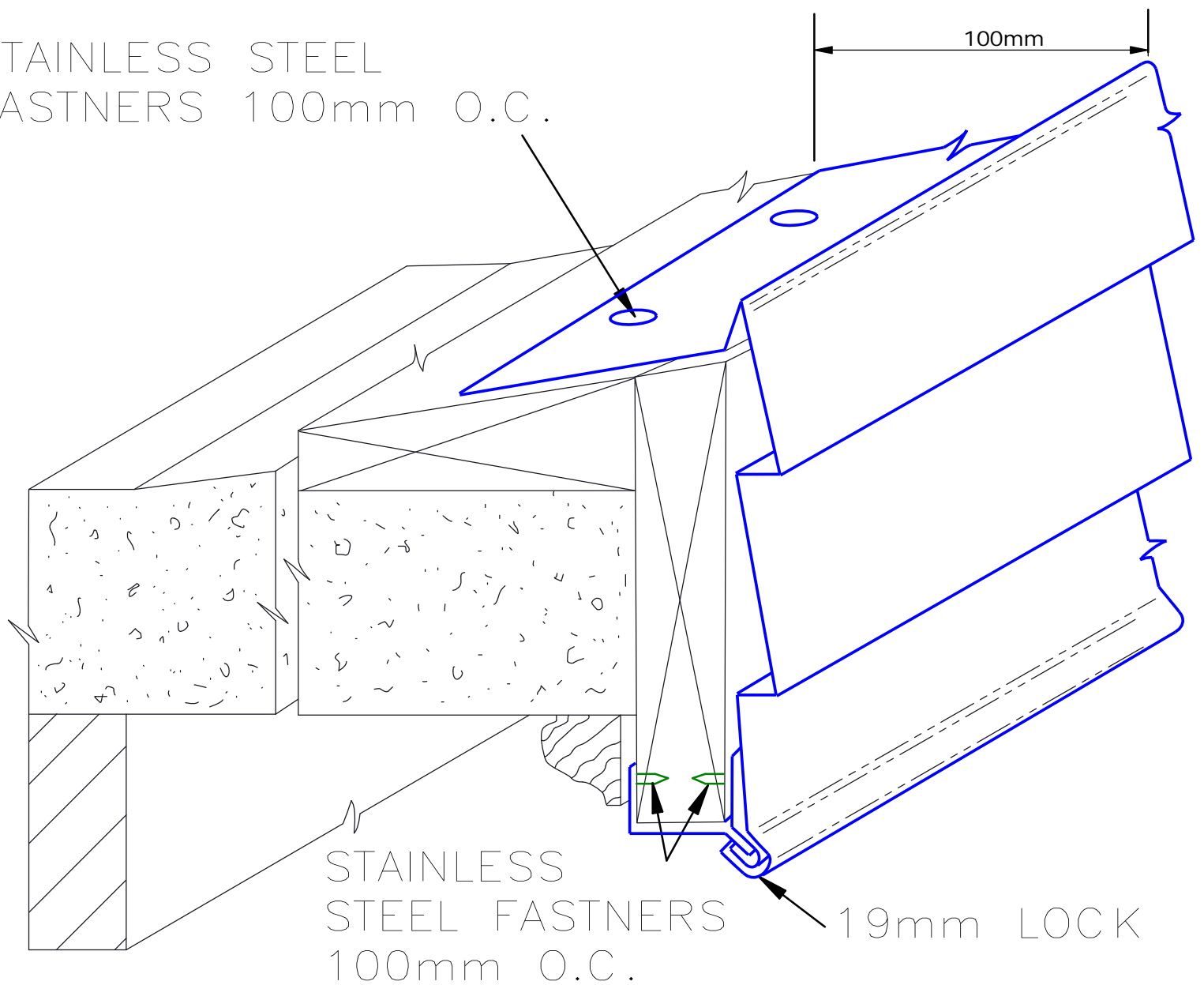
TITLE / PART NUMBER:
Section 4 - A Roofs
1 - With Nail Edge Securement

REVISION: A	SHEET: 1 of 1	SIZE: A3	DATE: 22/11/2013
-----------------------	------------------	--------------------	----------------------------



STAINLESS STEEL
FASTNERS 100mm O.C.

100mm



STAINLESS
STEEL FASTNERS
100mm O.C.

19mm LOCK

03GS03 WITH LONGITUDINAL STEPS

AMBROMETALS

Ambro Metals Ltd
PO Box 15599
New Lynn 0604
Auckland
New Zealand

www.ambrometals.com
Information contained in this drawing may not be reproduced or used for any purpose without express written permission from Ambro Metals Limited

Copyright © 2013 Ambro Metals Ltd

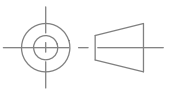
TITLE / PART NUMBER:
Section 4 - A Roofs
1 - With Longitudinal Steps

REVISION:
A

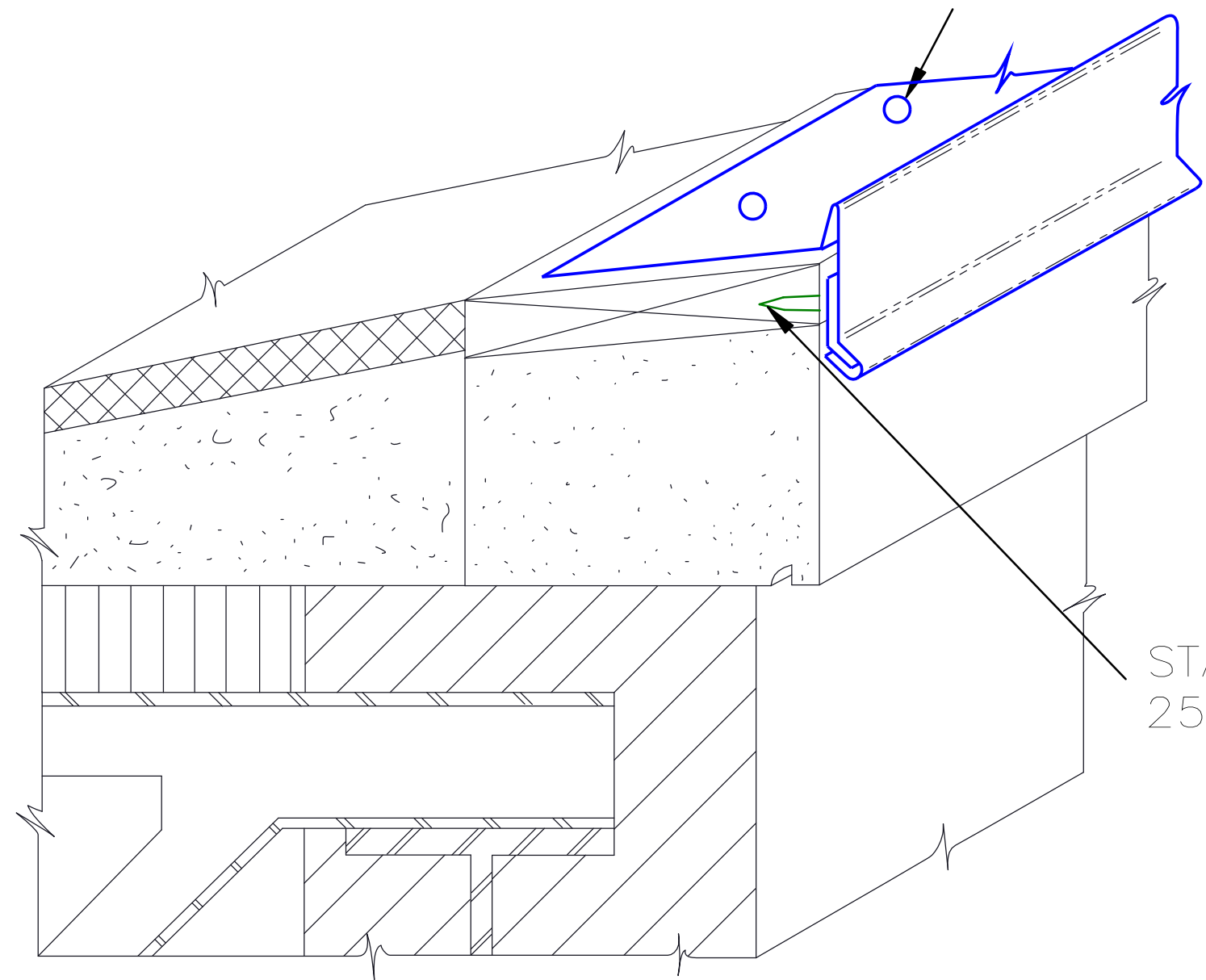
SHEET:
1 of 1

SIZE:
A3

DATE:
22/11/2013



STAINLESS STEEL
FASTNERS 100mm O.C.



STAINLESS STEEL SCREWS
250mm O.C.

03GS02 WITH EDGE SECUREMENT

AMBROMETALS

Ambro Metals Ltd
PO Box 15599
New Lynn 0604
Auckland
New Zealand

www.ambrometals.com
Copyright © 2013 Ambro Metals Ltd
Information contained in this drawing may not be reproduced or used for any purpose without express written permission from Ambro Metals Limited

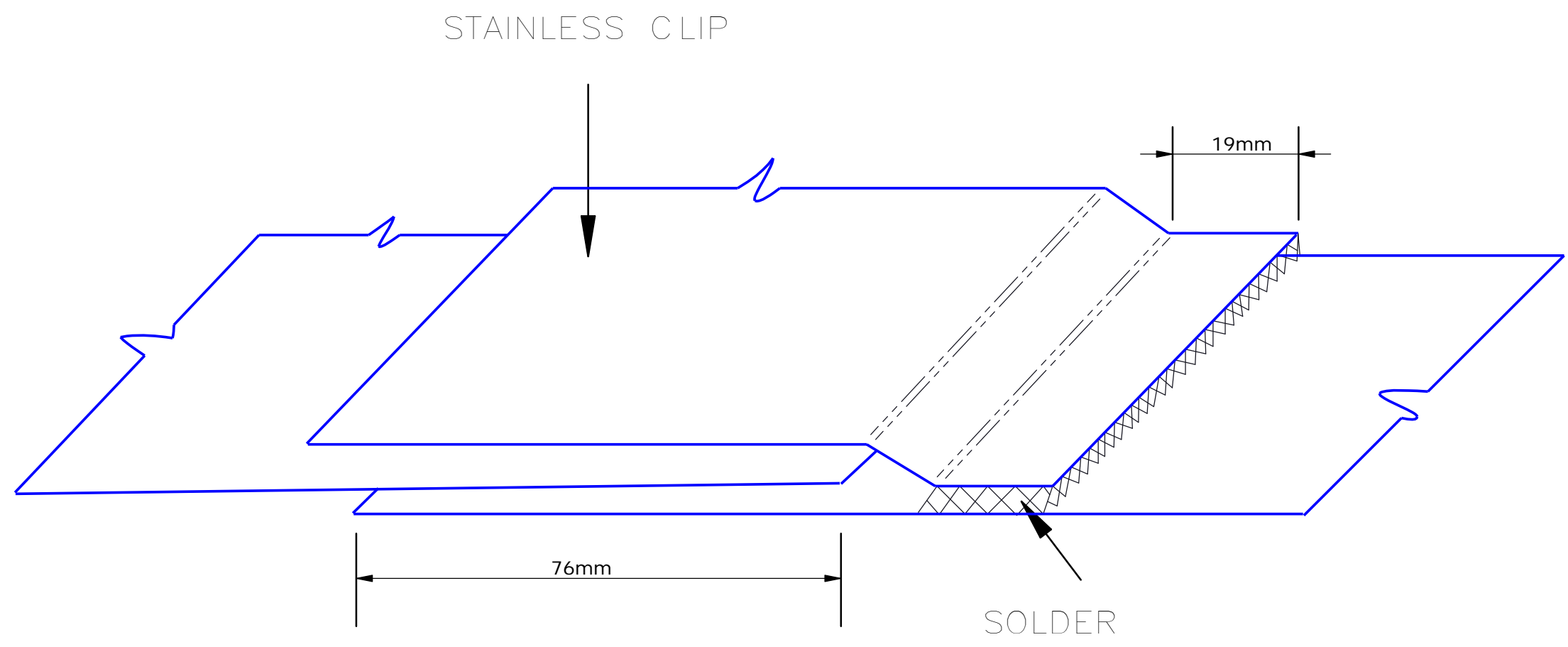
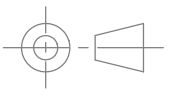
TITLE / PART NUMBER:
Section 4 - A Roofs
1 - With Edge Securement

REVISION:
A

SHEET:
1 of 1

SIZE:
A3

DATE:
22/11/2013



03GS05 SECTION A-A

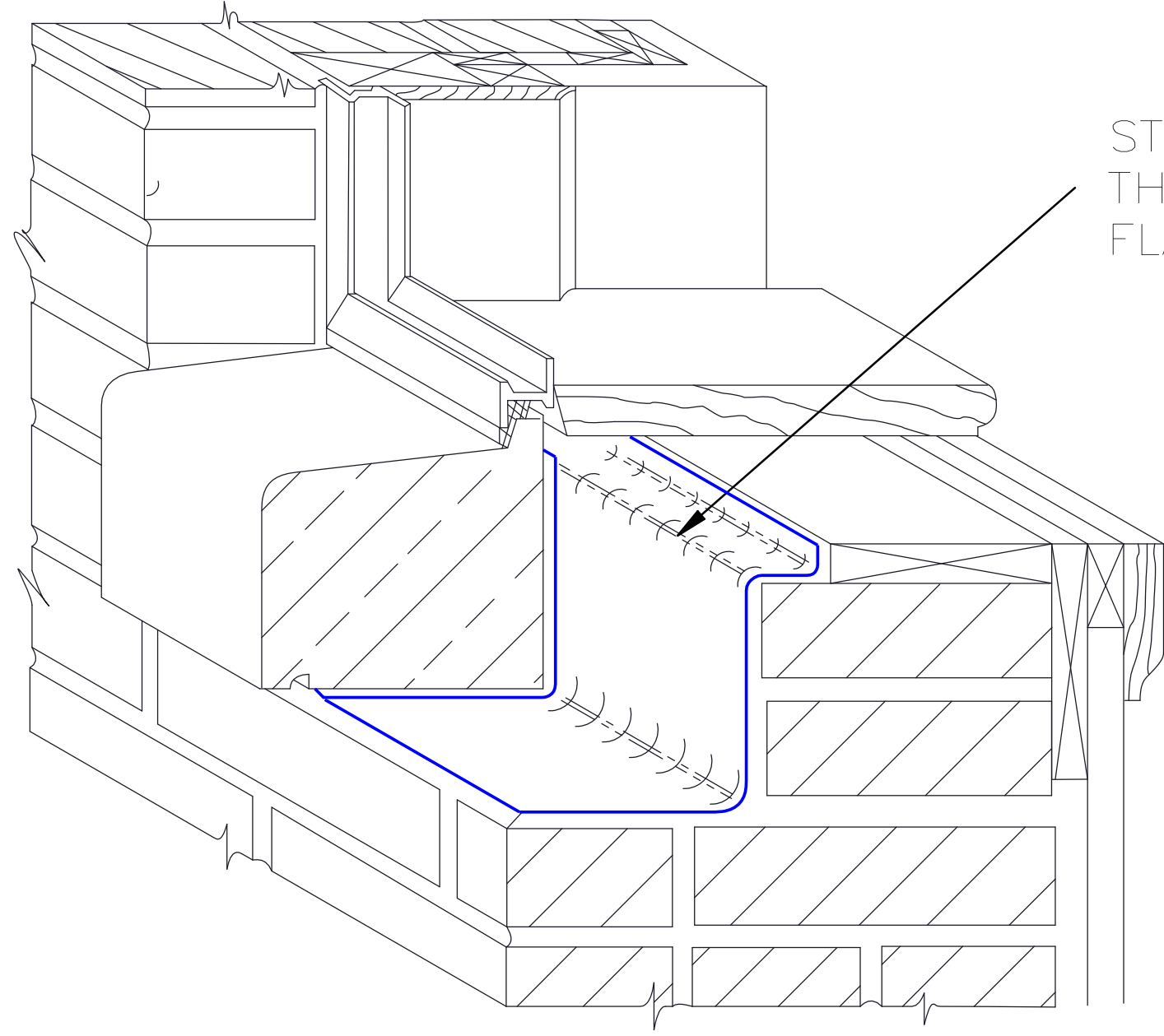
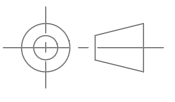
AMBROMETALS

Ambro Metals Ltd
PO Box 15599
New Lynn 0604
Auckland
New Zealand

www.ambrometals.com
Information contained in this drawing may not be reproduced or used for any purpose without express written permission from Ambro Metals Limited

TITLE / PART NUMBER:
Section 4 - A Roofs
1 - Section

REVISION: A	SHEET: 1 of 1	SIZE: A3	DATE: 22/11/2013
-----------------------	-------------------------	--------------------	----------------------------



STAINLESS STEEL
THRU-WALL
FLASHING

03WF05 UNDER SILL/TYPICAL

AMBROMETALS

Ambro Metals Ltd
PO Box 15599
New Lynn 0604
Auckland
New Zealand

www.ambrometals.com
Copyright © 2013 Ambro Metals Ltd
Information contained in this drawing may not be reproduced or used for any purpose without express written permission from Ambro Metals Limited

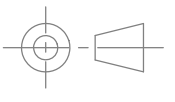
TITLE / PART NUMBER:
Section 4 - B Walls
5 - Under Sill Typical

REVISION:
A

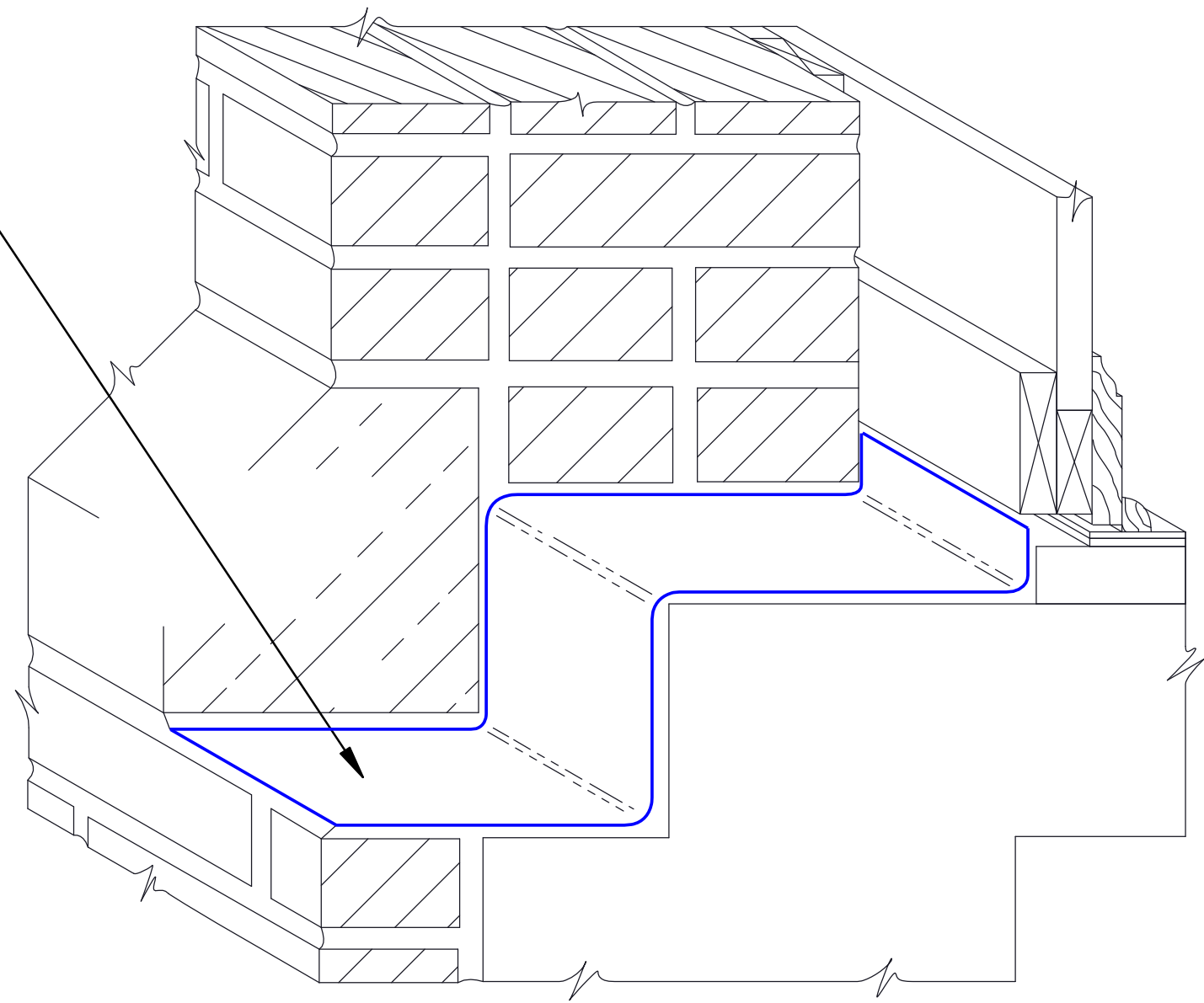
SHEET:
1 of 1

SIZE:
A3

DATE:
22/11/2013



STAINLESS STEEL
THRU WALL FLASHING



03WF06 ON WATER TABLE

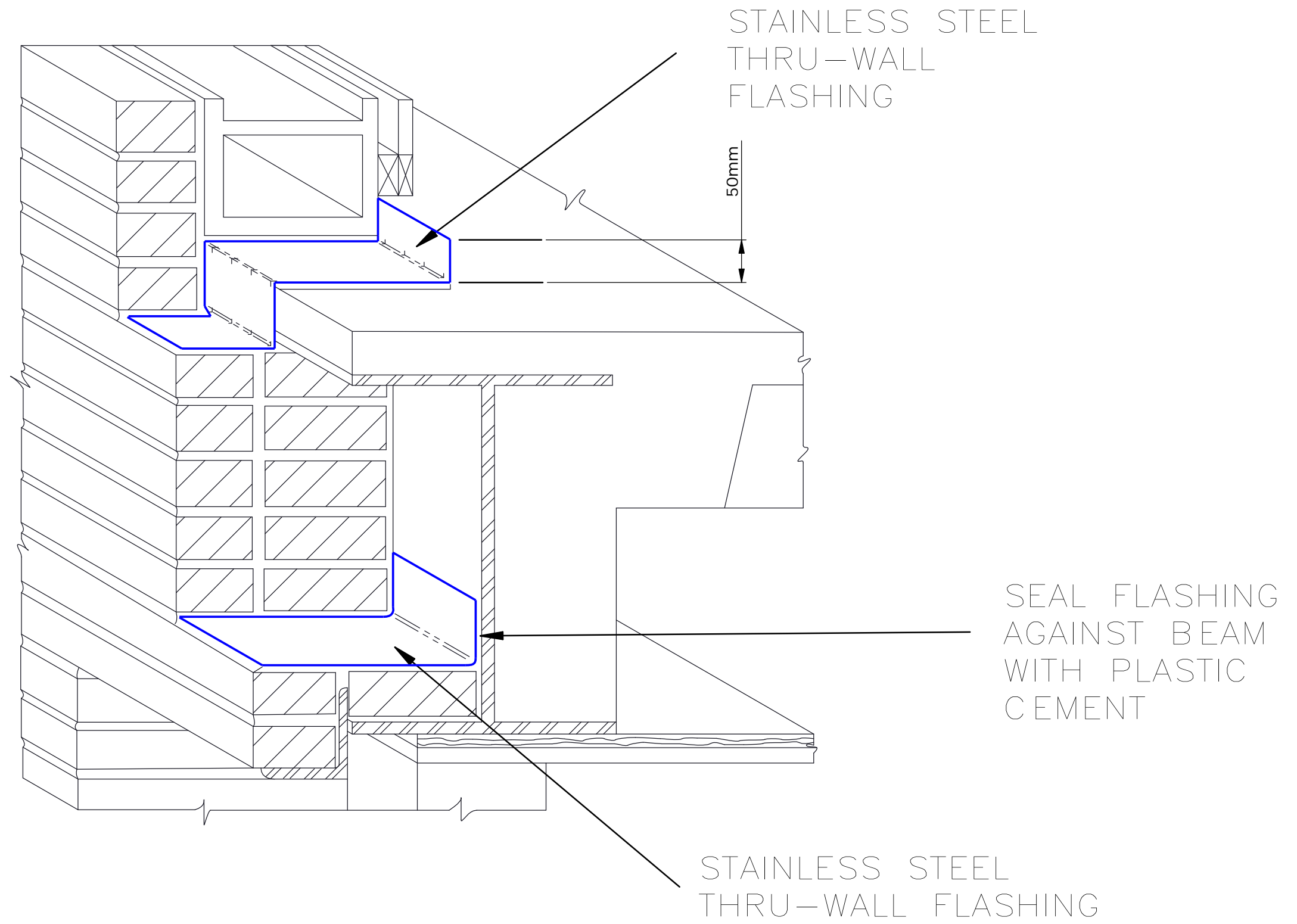
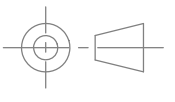
AMBROMETALS

Ambro Metals Ltd
PO Box 15599
New Lynn 0604
Auckland
New Zealand

www.ambrometals.com
Copyright © 2013 Ambro Metals Ltd
Information contained in this drawing may not be reproduced or used for any purpose without express written permission from Ambro Metals Limited

TITLE / PART NUMBER:
Section 4 - B Walls
5 - On Water Table

REVISION: A	SHEET: 1 of 1	SIZE: A3	DATE: 22/11/2013
-----------------------	------------------	--------------------	----------------------------



03WF04 ON SPANDRELS-STEEL

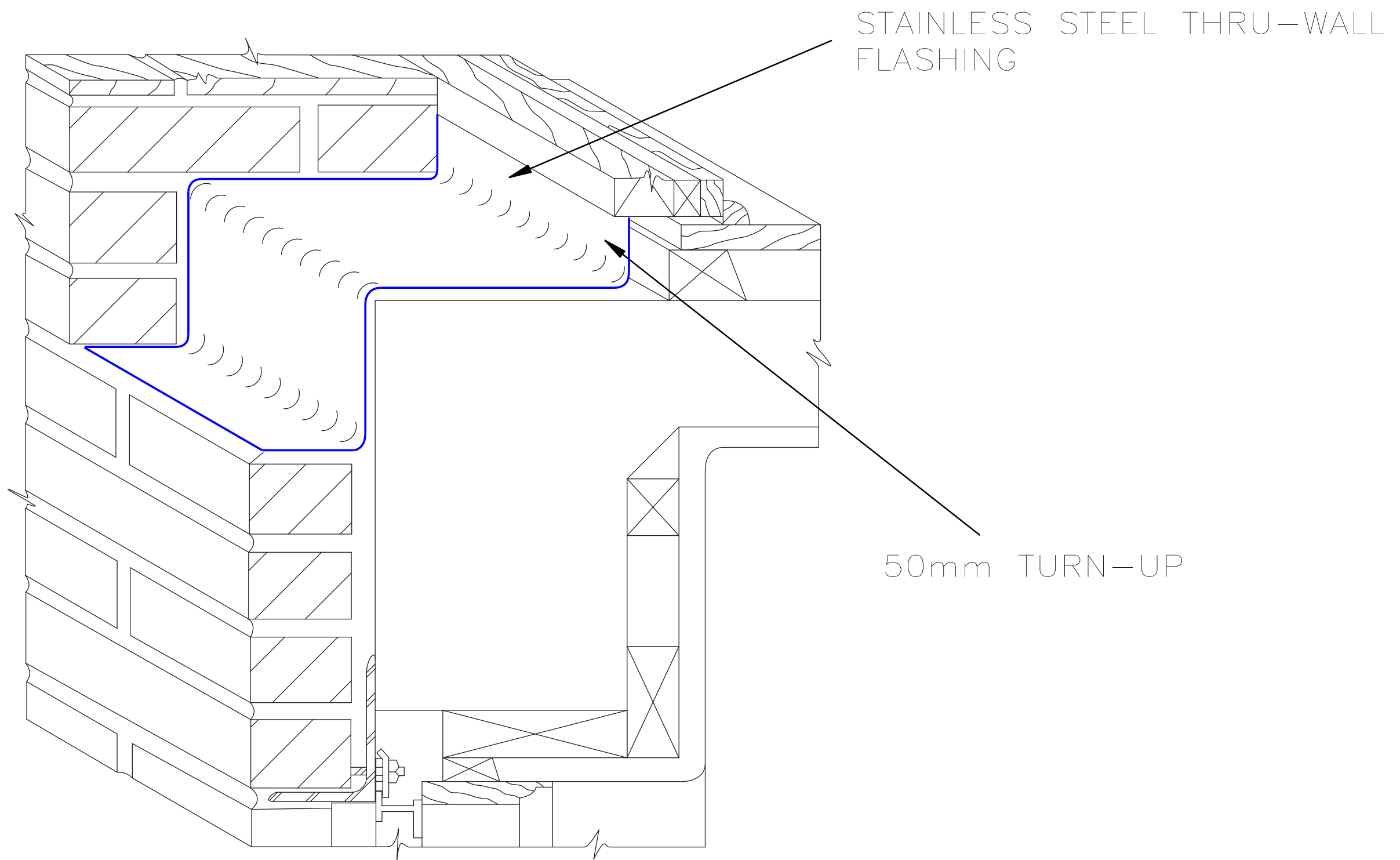
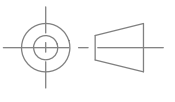


Ambro Metals Ltd
PO Box 15599
New Lynn 0604
Auckland
New Zealand

www.ambrometals.com
Copyright © 2013 Ambro Metals Ltd
Information contained in this drawing may not be reproduced or used for any purpose without express written permission from Ambro Metals Limited

TITLE / PART NUMBER:
Section 4 - B Walls
5 - On Spandrels - Steel

REVISION: A	SHEET: 1 of 1	SIZE: A3	DATE: 22/11/2013
-----------------------	-------------------------	--------------------	----------------------------



03WF02 ON SPANDRELS-SHALLOW

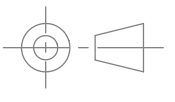
AMBROMETALS

Ambro Metals Ltd
 PO Box 15599
 New Lynn 0604
 Auckland
 New Zealand

www.ambrometals.com
 Copyright © 2013 Ambro Metals Ltd
 Information contained in this drawing may not be reproduced or used for any purpose without express written permission from Ambro Metals Limited

TITLE / PART NUMBER:
Section 4 - B Walls
 5 - On Spandrels - Shallows

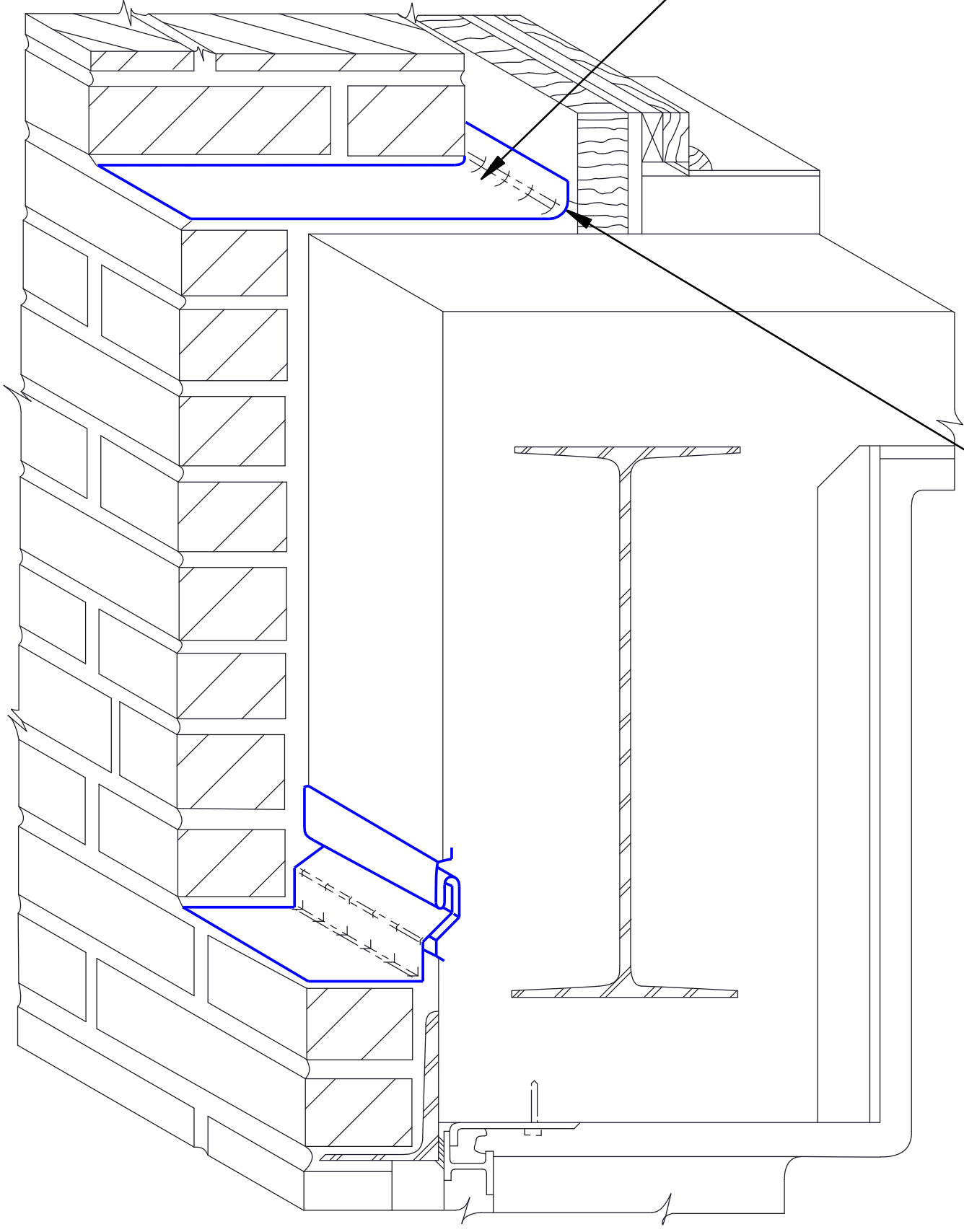
REVISION: A	SHEET: 1 of 1	SIZE: A3	DATE: 22/11/2013
-----------------------	------------------	--------------------	----------------------------



STAINLESS STEEL THRU-WALL FLASHING

50mm TURN-UP

03WF03 ON SPANDRELS-DEEP



AMBROMETALS

www.ambrometals.com
Information contained in this drawing may not be reproduced or used for any purpose without express written permission from Ambro Metals Limited

Ambro Metals Ltd
PO Box 15599
New Lynn 0604
Auckland
New Zealand

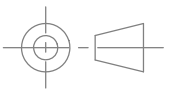
TITLE / PART NUMBER:
Section 4 - B Walls
5 - On Spandrels - Deep

REVISION:
A

SHEET:
1 of 1

SIZE:
A3

DATE:
22/11/2013



COPPER GRAVEL STOP

TERNE FASCIA

BATTEN SEAMS

TERNE EDGE STRIP

50mm WIDE STAINLESS STEEL CLEATS 200mm O.C.

STAINLESS STEEL SCREWS IN INSERTS 250mm O.C.

STAINLESS STEEL INSERT FLASHING

03WF01 ON ROOF SPANDREL

AMBROMETALS

www.ambrometals.com

Ambro Metals Ltd
PO Box 15599
New Lynn 0604
Auckland
New Zealand

Copyright © 2013 Ambro Metals Ltd
Information contained in this drawing may not be reproduced or used for any purpose without express written permission from Ambro Metals Limited

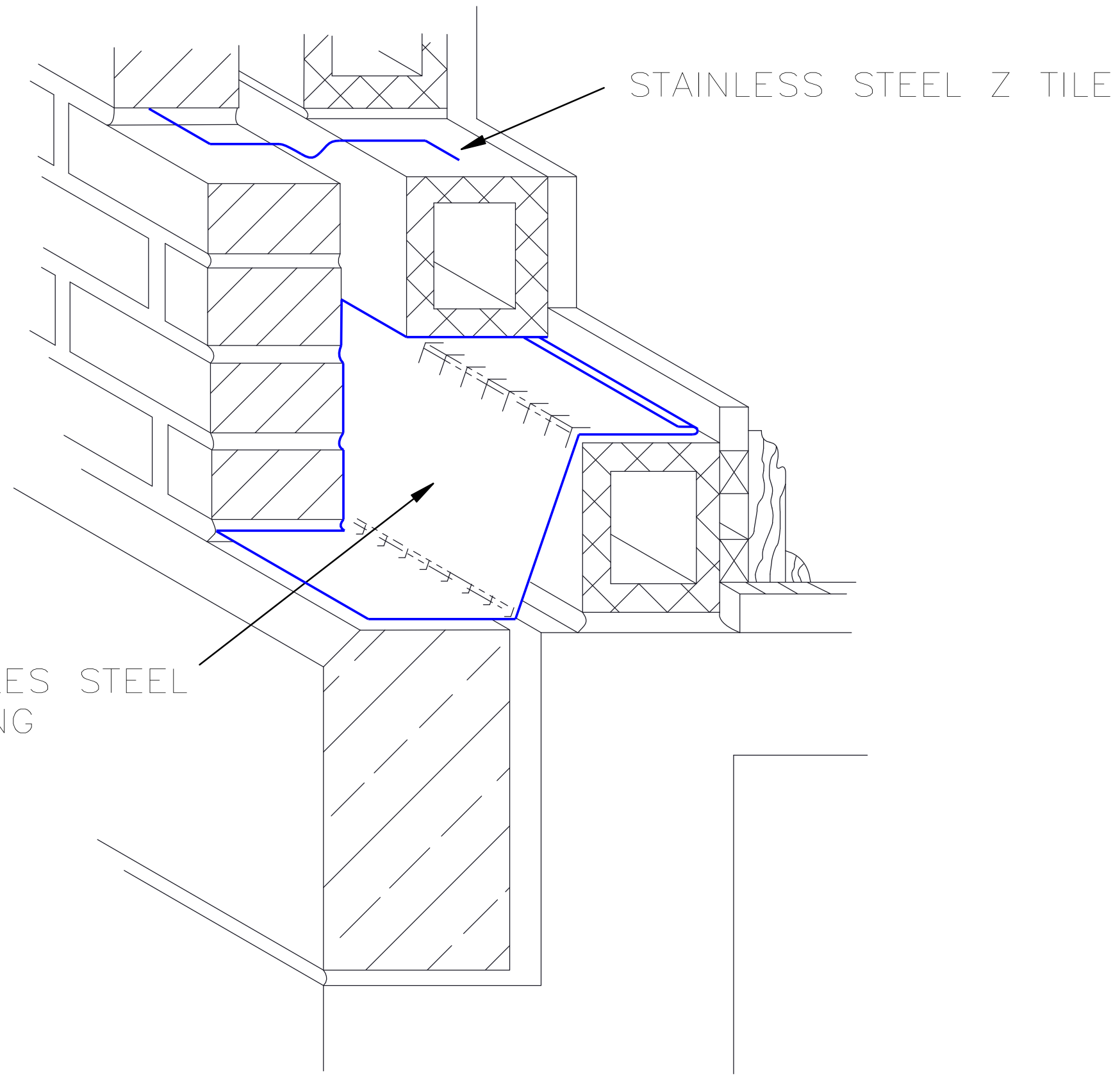
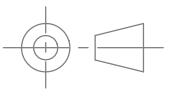
TITLE / PART NUMBER:
Section 4 - B Walls
5 - On Roof Spandrel

REVISION:
A

SHEET:
1 of 1

SIZE:
A3

DATE:
22/11/2013



STAINLESS STEEL Z TILE

CONTINUOUS STAINLES STEEL THRU-WALL FLASHING

03WF07 GRADE WALL

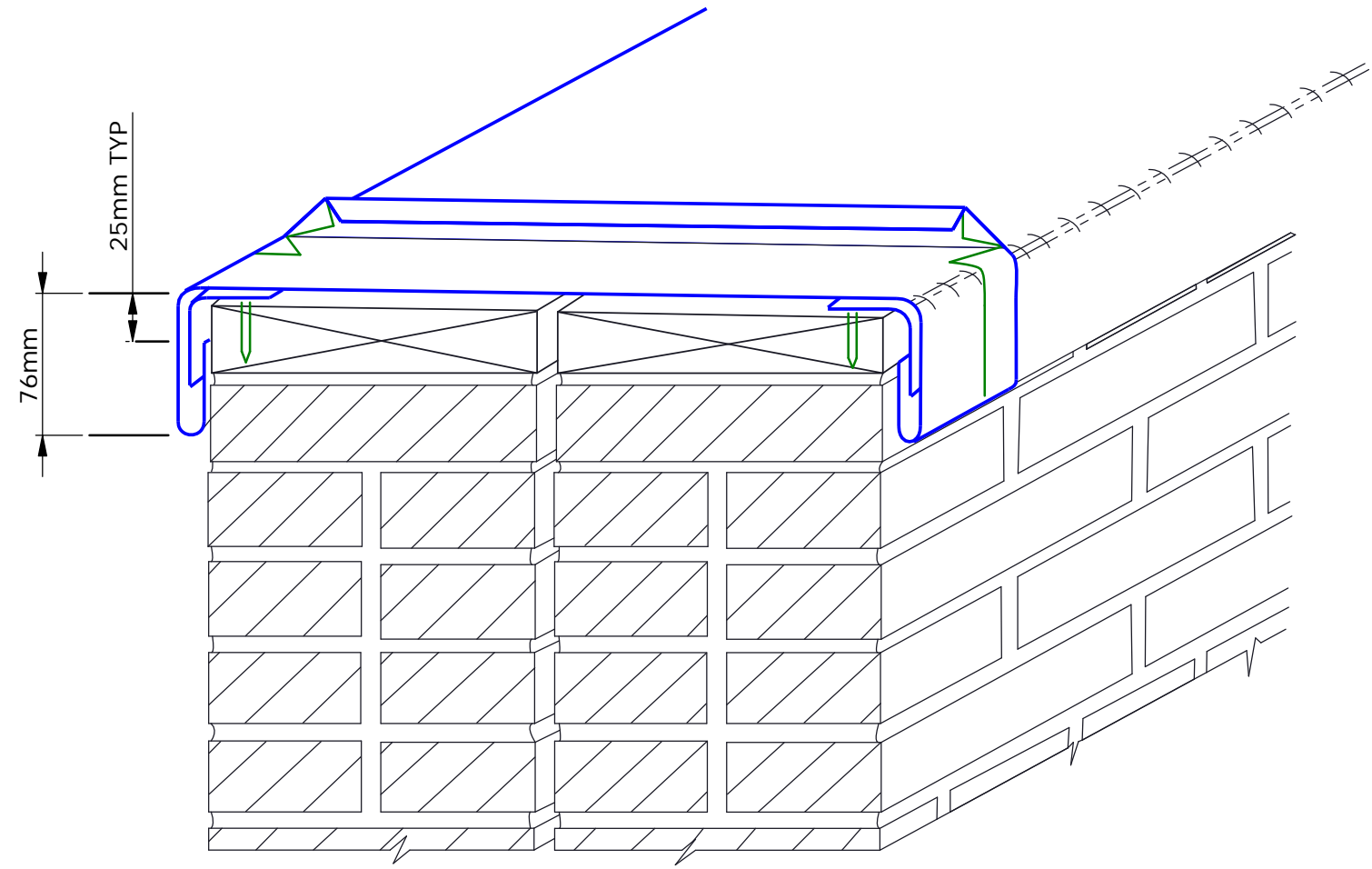
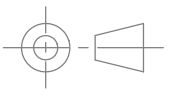
AMBROMETALS

Ambro Metals Ltd
PO Box 15599
New Lynn 0604
Auckland
New Zealand

www.ambrometals.com
Copyright © 2013 Ambro Metals Ltd
Information contained in this drawing may not be reproduced or used for any purpose without express written permission from Ambro Metals Limited

TITLE / PART NUMBER:
Section 4 - B Walls
5 - Grade Wall

REVISION: A	SHEET: 1 of 1	SIZE: A3	DATE: 22/11/2013
-----------------------	------------------	--------------------	----------------------------



03C C 03 NEW AND OLD WALLS OF SAME HEIGHT—METHOD 2



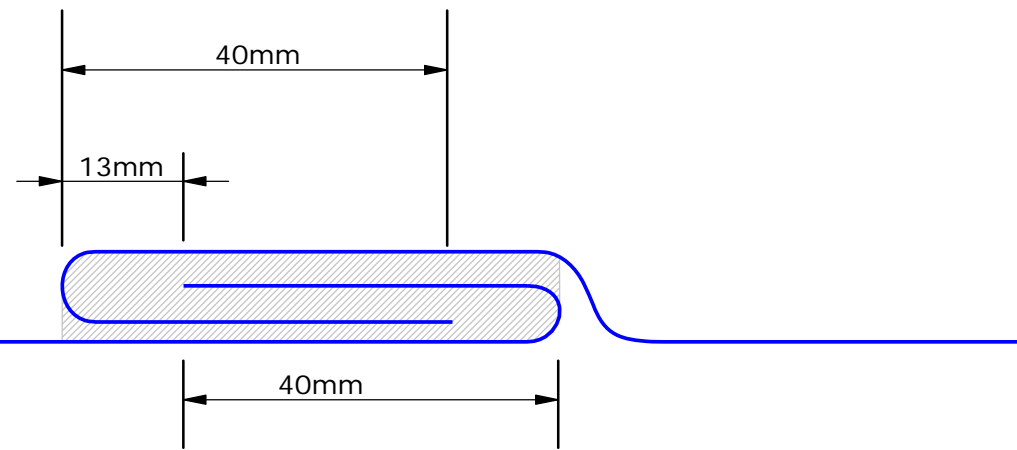
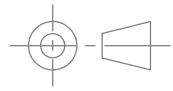
Ambro Metals Ltd
PO Box 15599
New Lynn 0604
Auckland
New Zealand

www.ambrometals.com
Information contained in this drawing may not be reproduced or used for any purpose without express written permission from Ambro Metals Limited

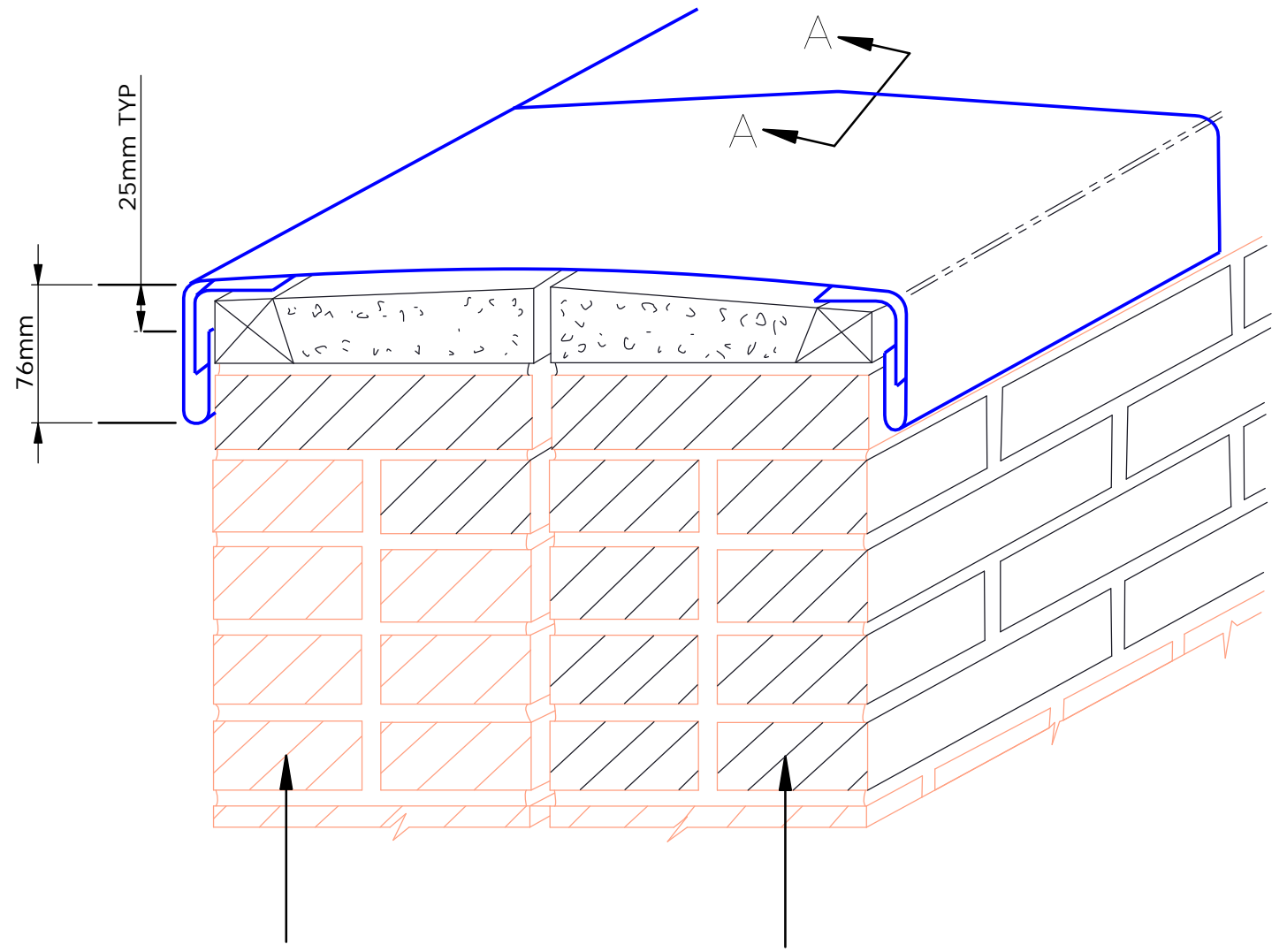
Copyright © 2013 Ambro Metals Ltd

TITLE / PART NUMBER:
Section 4 - B Walls
4 - Walls of the Same Height - Method 2

REVISION:	SHEET:	SIZE:	DATE:
A	1 OF 1	A3	22/11/2013



03CC01 SECTION A-A



NEW WALL

OLD WALL

03CC02 NEW AND OLD WALLS OF SAME HEIGHT-METHOD 1

AMBROMETALS

www.ambrometals.com

Information contained in this drawing may not be reproduced or used for any purpose without express written permission from Ambro Metals Limited

Ambro Metals Ltd
PO Box 15599
New Lynn 0604
Auckland
New Zealand

Copyright © 2013 Ambro Metals Ltd
Information contained in this drawing may not be reproduced or used for any purpose without express written permission from Ambro Metals Limited

TITLE / PART NUMBER:

Section 4 - B Walls

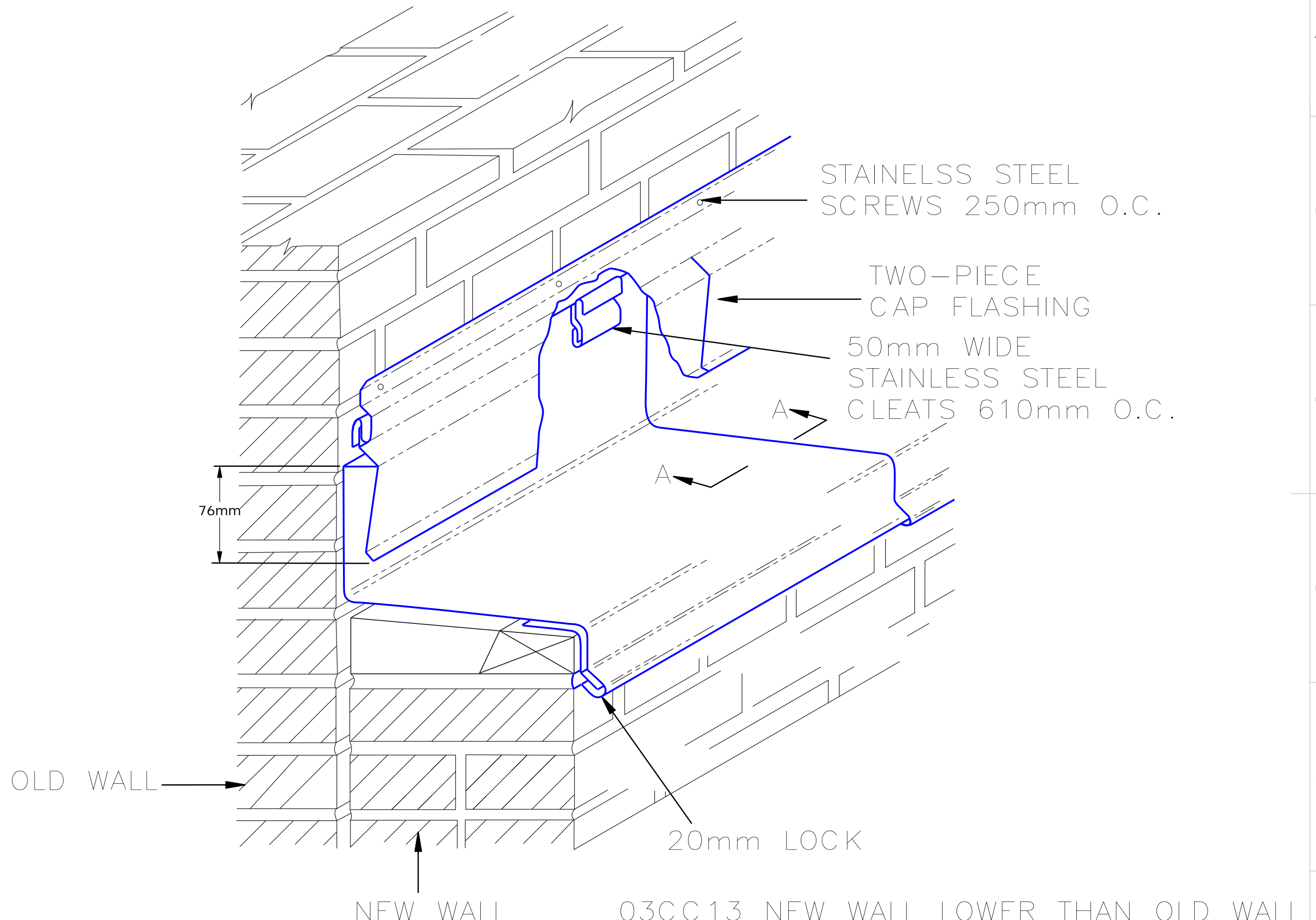
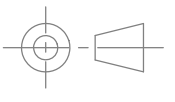
4 - Walls of the Same Height - Method 1

REVISION:
A

SHEET:
1 OF 1

SIZE:
A3

DATE:
22/11/2013



STAINELSS STEEL
SCREWS 250mm O.C.

TWO-PIECE
CAP FLASHING

50mm WIDE
STAINLESS STEEL
CLEATS 610mm O.C.

76mm

OLD WALL

NEW WALL

20mm LOCK

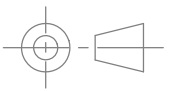
03CC 13 NEW WALL LOWER THAN OLD WALL

AMBROMETALS

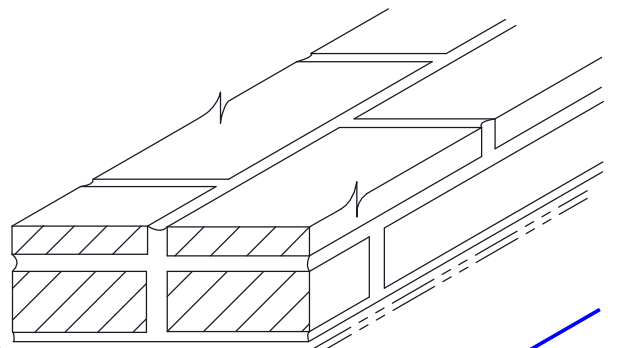
Ambro Metals Ltd
PO Box 15599
New Lynn 0604
Auckland
New Zealand

www.ambrometals.com
Copyright © 2013 Ambro Metals Ltd
Information contained in this drawing may not be reproduced or used for any purpose without express written permission from Ambro Metals Limited

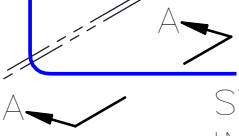
TITLE / PART NUMBER: Section 4 - B Walls 4 - New Wall Lower than Old Wall			
REVISION: A	SHEET: 1 of 1	SIZE: A3	DATE: 22/11/2013



TERNE
3-WAY THRU-WAY
CAP FLASHING

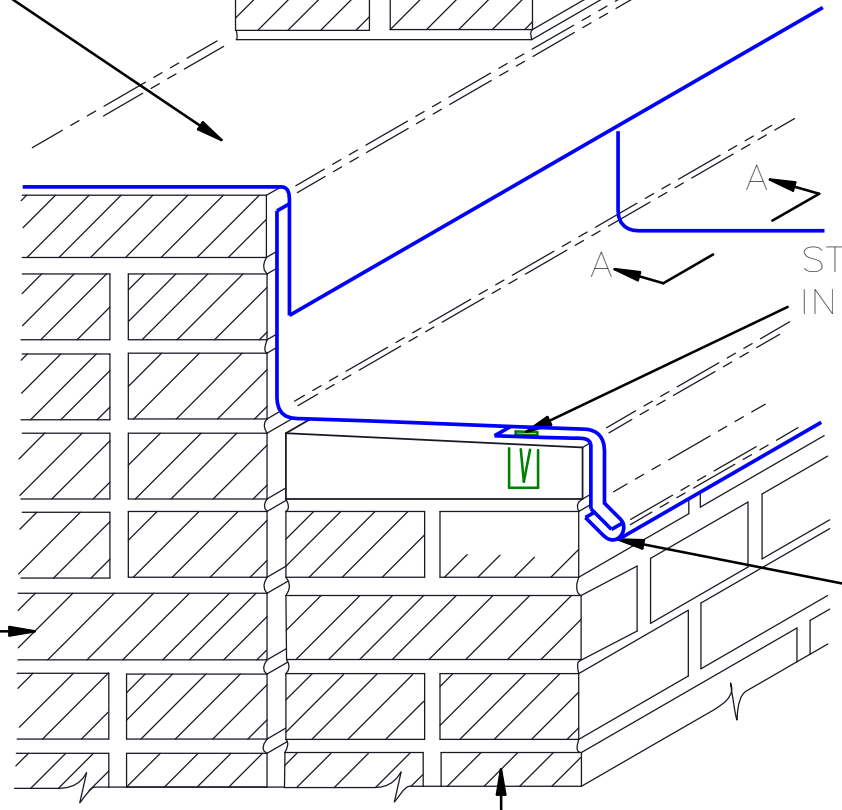


STAINLESS STEEL SCREWS IN
INSERTS 250mm O.C.

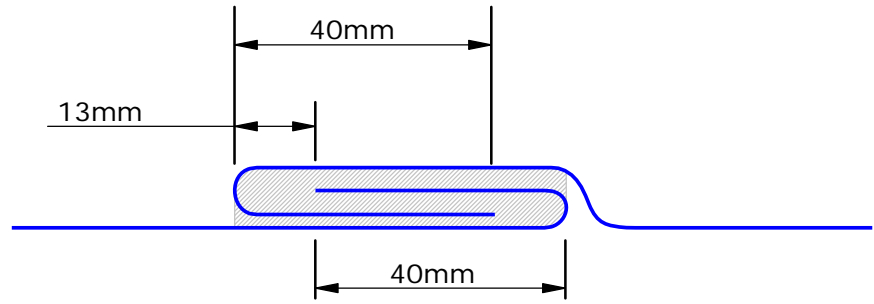


20mm LOCK

NEW WALL



OLD WALL



03CC01 SECTION A-A

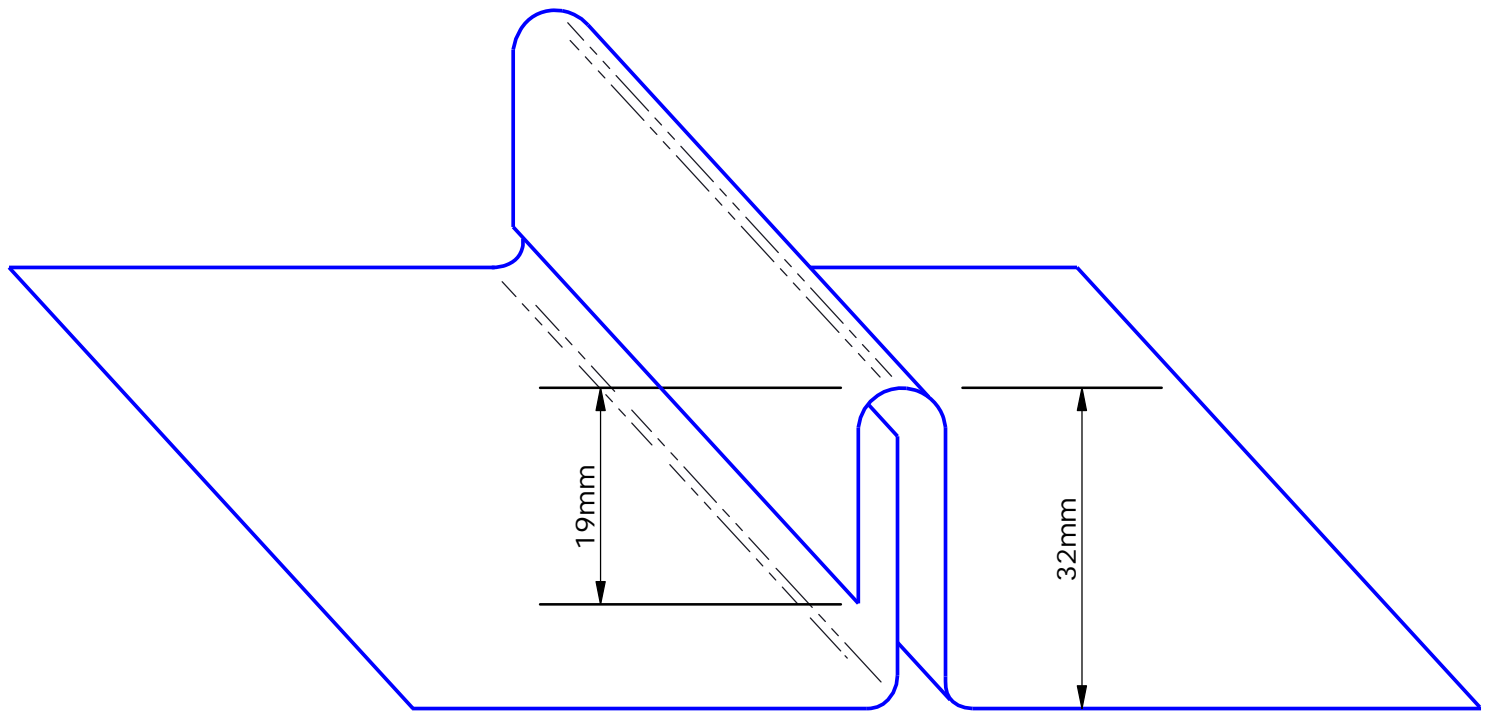
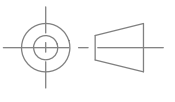
03CC14 NEW WALL HIGHER THAN OLD WALL

AMBROMETALS

Ambro Metals Ltd
PO Box 15599
New Lynn 0604
Auckland
New Zealand

www.ambrometals.com
Information contained in this drawing may not be reproduced or used for any purpose without express written permission from Ambro Metals Limited

TITLE / PART NUMBER: Section 4 - B Walls 4 - New Wall Higher than Old Wall			
REVISION: A	SHEET: 1 of 1	SIZE: A3	DATE: 22/11/2013



03CC 10 STANDING SEAM

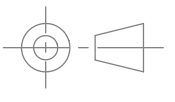
AMBROMETALS

Ambro Metals Ltd
PO Box 15599
New Lynn 0604
Auckland
New Zealand

www.ambrometals.com
Copyright © 2013 Ambro Metals Ltd
Information contained in this drawing may not be reproduced or used for any purpose without express written permission from Ambro Metals Limited

TITLE / PART NUMBER:
Section 4 - B Walls
3 - Standing Seam

REVISION: A	SHEET: 1 of 1	SIZE: A3	DATE: 22/11/2013
-----------------------	-------------------------	--------------------	----------------------------



SLIT

20mm

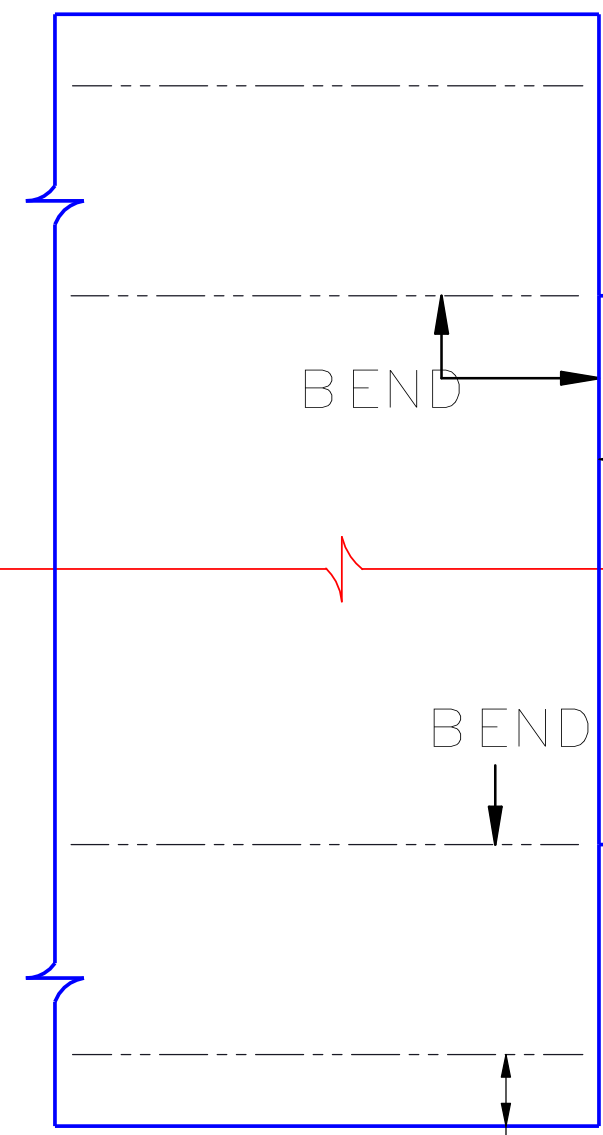
20mm LOCK

32mm

SLIT

WIDTH OF WALL

03CC 11 PATTERN



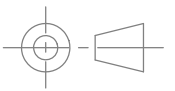
BEND

32mm

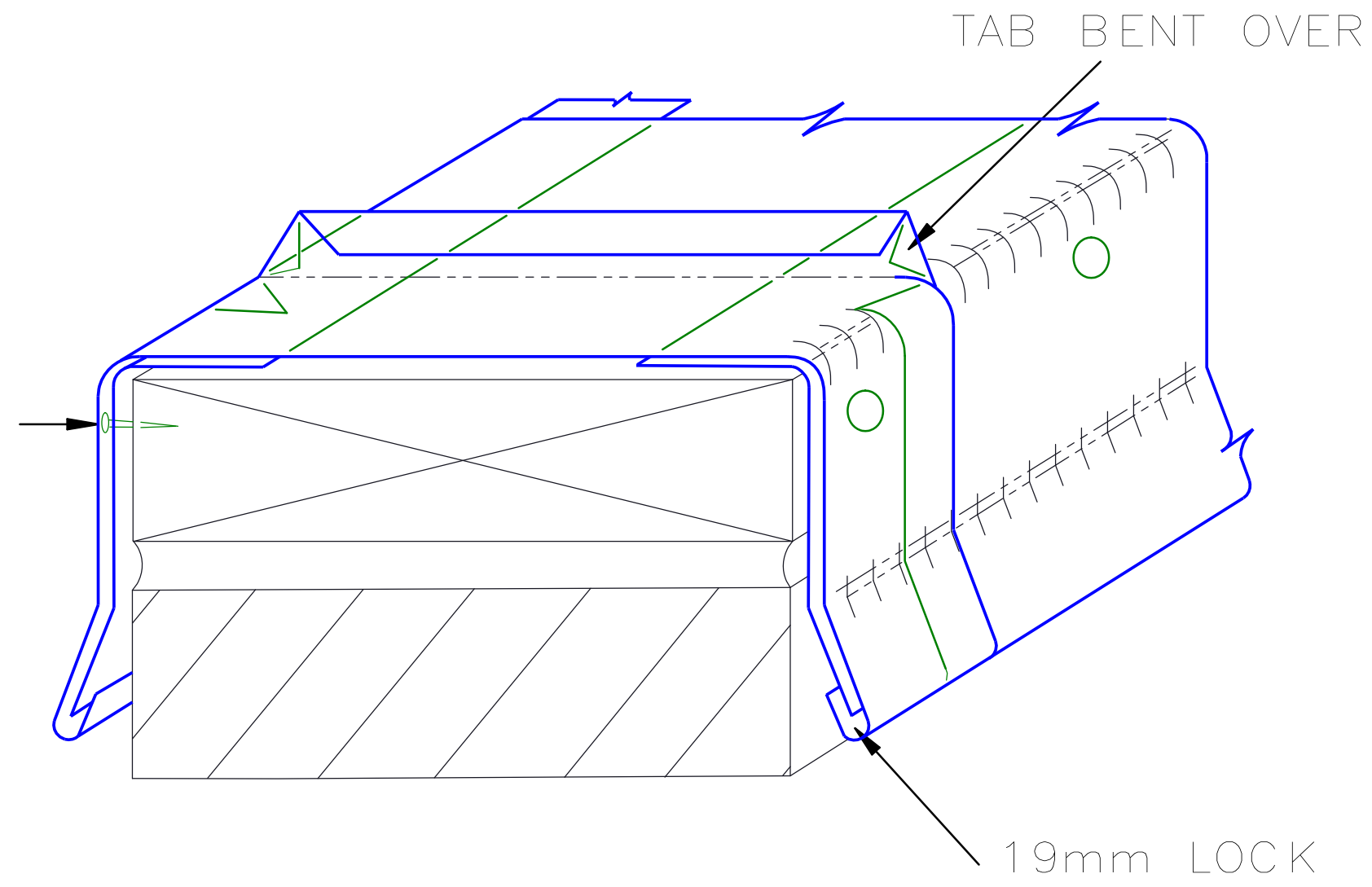
BEND

20mm LOCK

03CC 12 PATTERN FOR STANDING SEAM



STAINLESS
STEEL FIXINGS
100mm O.C.



03CC09 OVER WOOD PLATE

AMBROMETALS

Ambro Metals Ltd
PO Box 15599
New Lynn 0604
Auckland
New Zealand

www.ambrometals.com
Information contained in this drawing may not be reproduced or used for any purpose without express written permission from Ambro Metals Limited

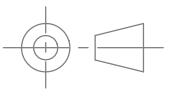
TITLE / PART NUMBER:
Section 4 - B Walls
3 - Over Wood Plate 09

REVISION:
A

SHEET:
1 OF 1

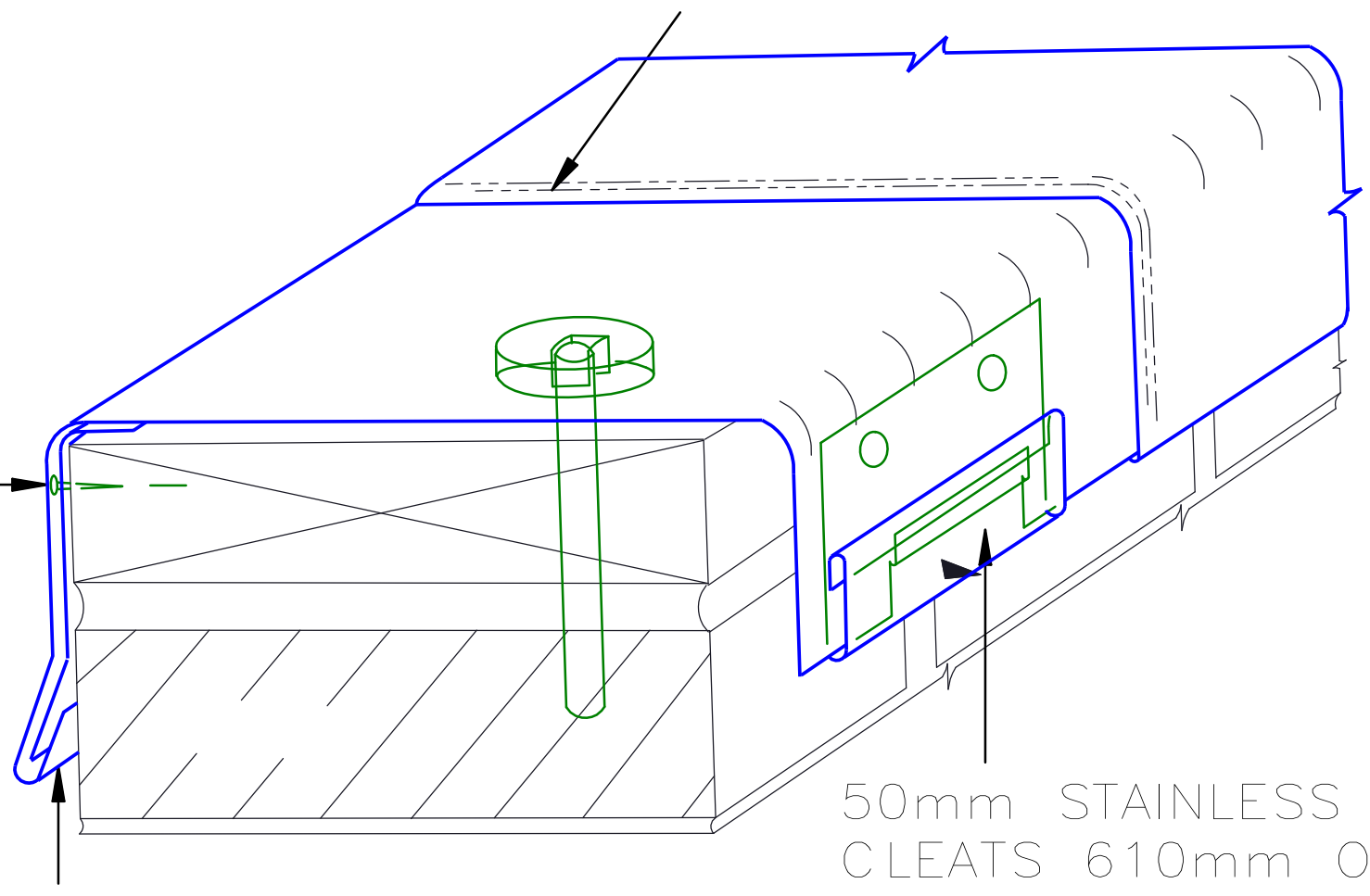
SIZE:
A3

DATE:
22/11/2013



LOOSE LOCK
EXPANSION JOINT

STAINLESS STEEL
FIXINGS 100mm O.C.



50mm STAINLESS STEEL
CLEATS 610mm O.C.

19mm LOCK

03CC06 OVER WOOD PLATE

AMBROMETALS

Ambro Metals Ltd
PO Box 15599
New Lynn 0604
Auckland
New Zealand

www.ambrometals.com
Information contained in this drawing may not be reproduced or used for any purpose without express written permission from Ambro Metals Limited

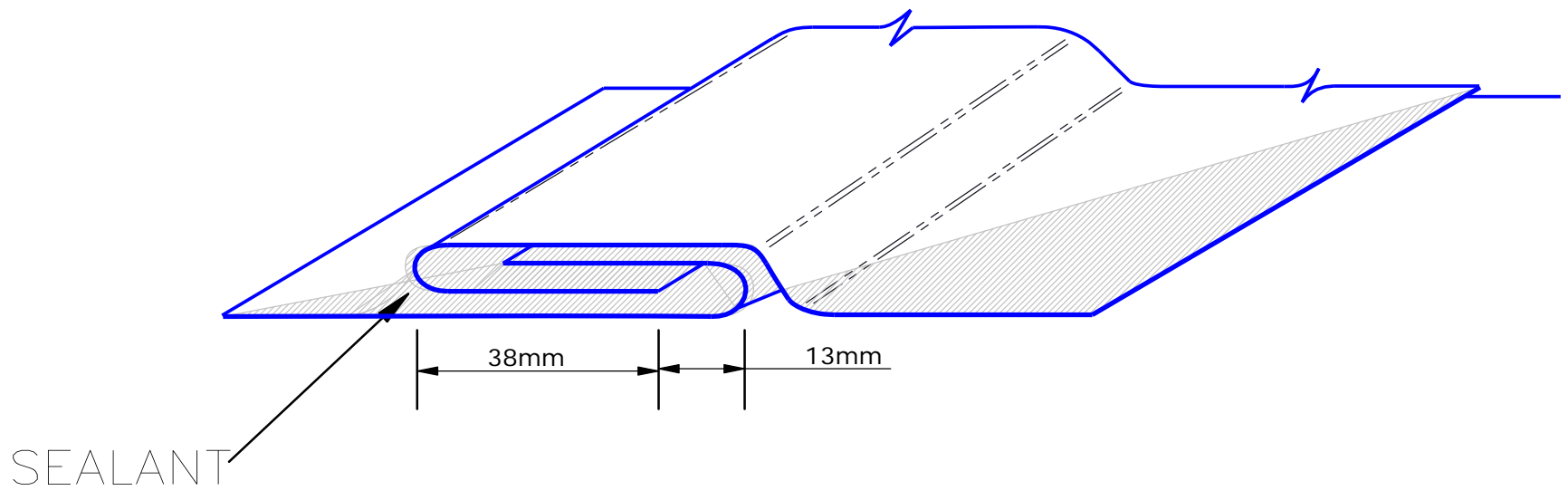
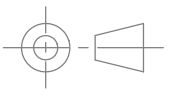
TITLE / PART NUMBER:
Section 4 - B Walls
3 - Over Wood Plate 09

REVISION:
A

SHEET:
1 of 1

SIZE:
A3

DATE:
22/11/2013



03CC08 EXPANSION JOINT DETAIL



Ambro Metals Ltd
PO Box 15599
New Lynn 0604
Auckland
New Zealand

www.ambrometals.com
Copyright © 2013 Ambro Metals Ltd
Information contained in this drawing may not be reproduced or used for any purpose without express written permission from Ambro Metals Limited

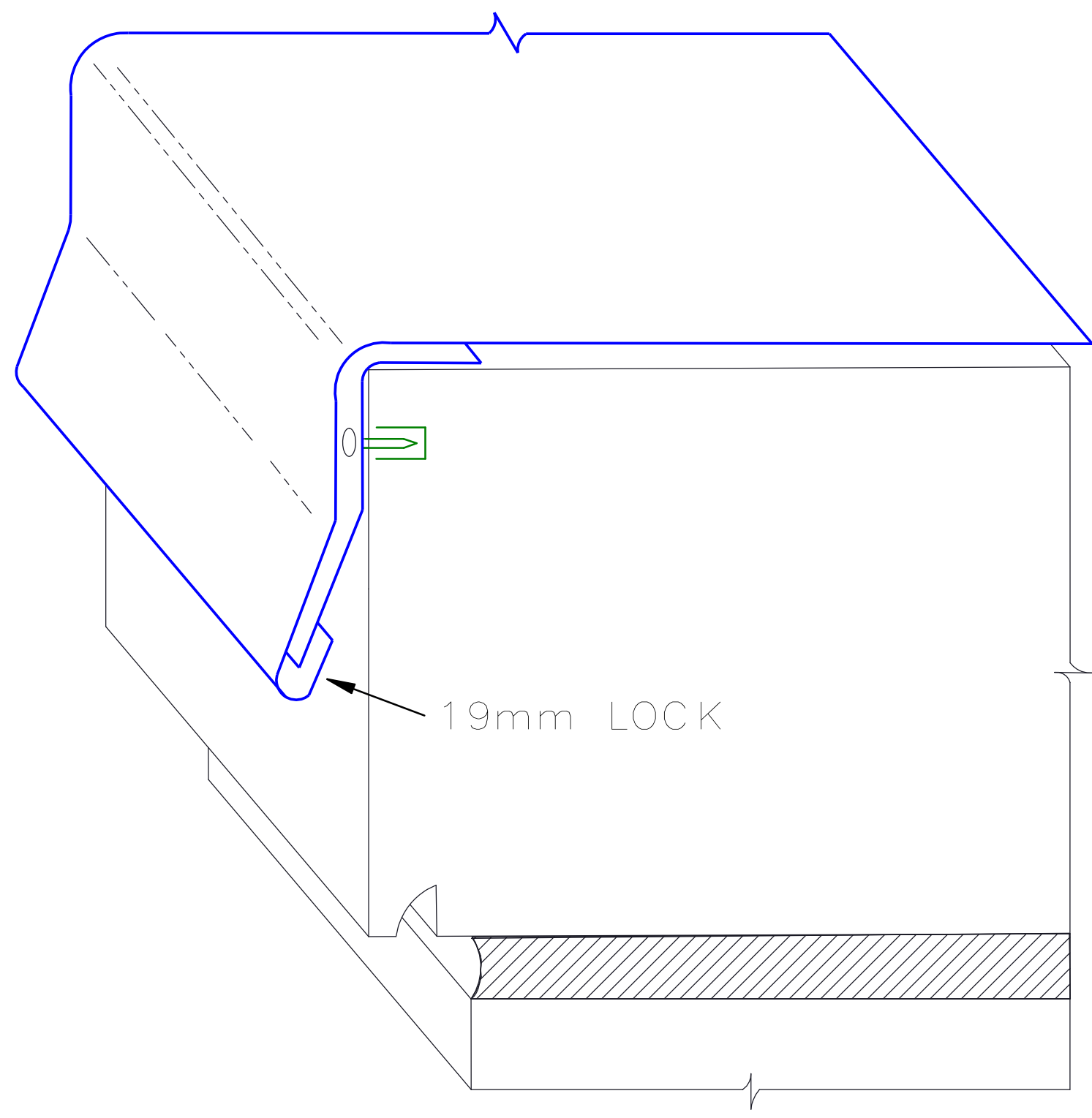
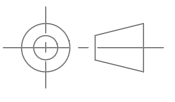
TITLE / PART NUMBER:
Section 4 - B Walls
3 - Expansion Joint Detail

REVISION:
A

SHEET:
1 of 1

SIZE:
A3

DATE:
22/11/2013



19mm LOCK

03CC05 COPING EXTENDED OVER FRONT FACE

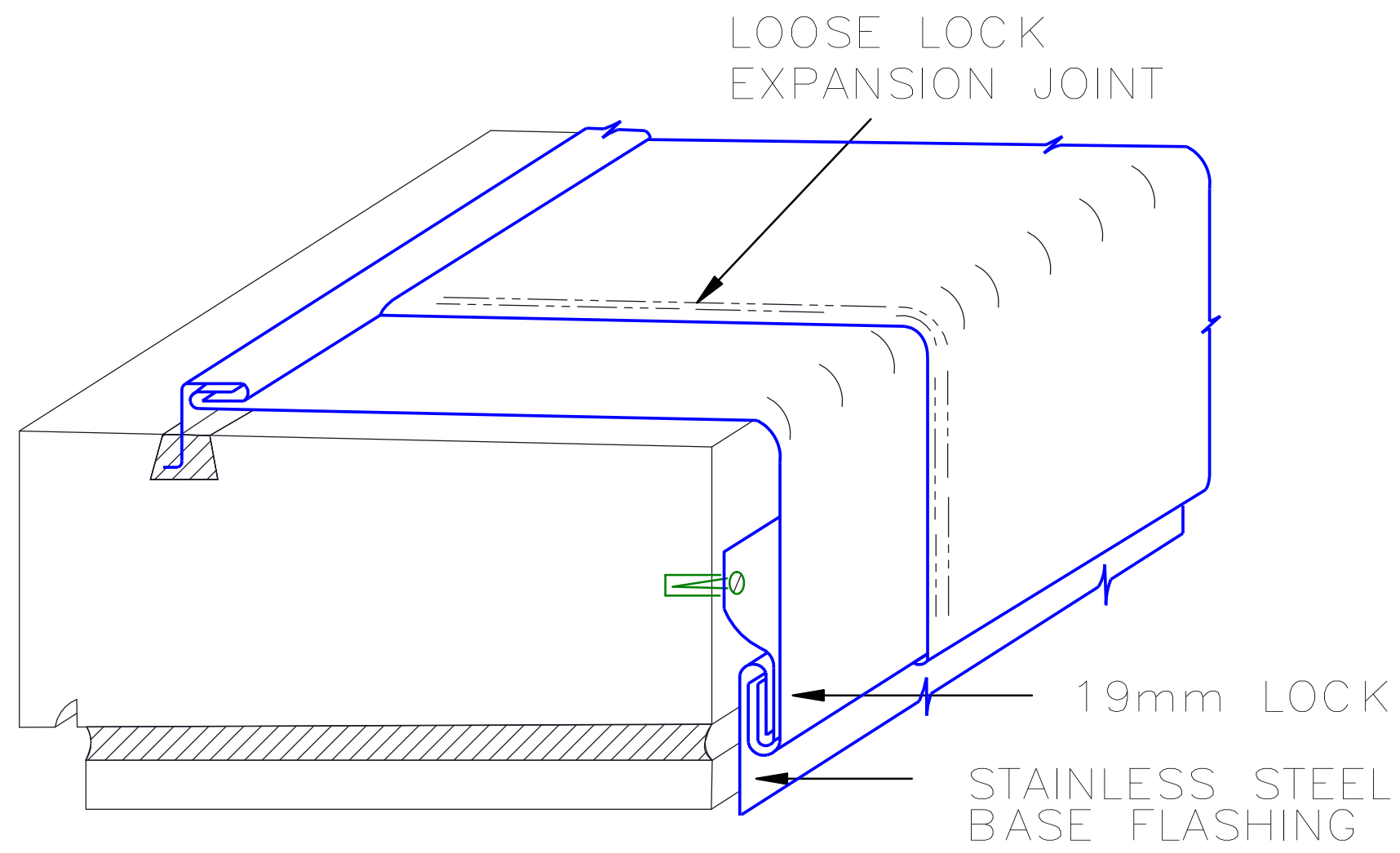
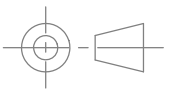
AMBROMETALS

Ambro Metals Ltd
PO Box 15599
New Lynn 0604
Auckland
New Zealand

www.ambrometals.com
Copyright © 2013 Ambro Metals Ltd
Information contained in this drawing may not be reproduced or used for any purpose without express written permission from Ambro Metals Limited

TITLE / PART NUMBER:
Section 4 - B Walls
3 - Coping Extended Over Front Face

REVISION: A	SHEET: 1 of 1	SIZE: A3	DATE: 22/11/2013
-----------------------	------------------	--------------------	----------------------------



03C C 04 CONCEALED AT FRONT FACE

AMBROMETALS

Ambro Metals Ltd
PO Box 15599
New Lynn 0604
Auckland
New Zealand

www.ambrometals.com

Copyright © 2013 Ambro Metals Ltd
Information contained in this drawing may not be reproduced or used for any purpose without express written permission from Ambro Metals Limited

TITLE / PART NUMBER:

Section 4 - B Walls

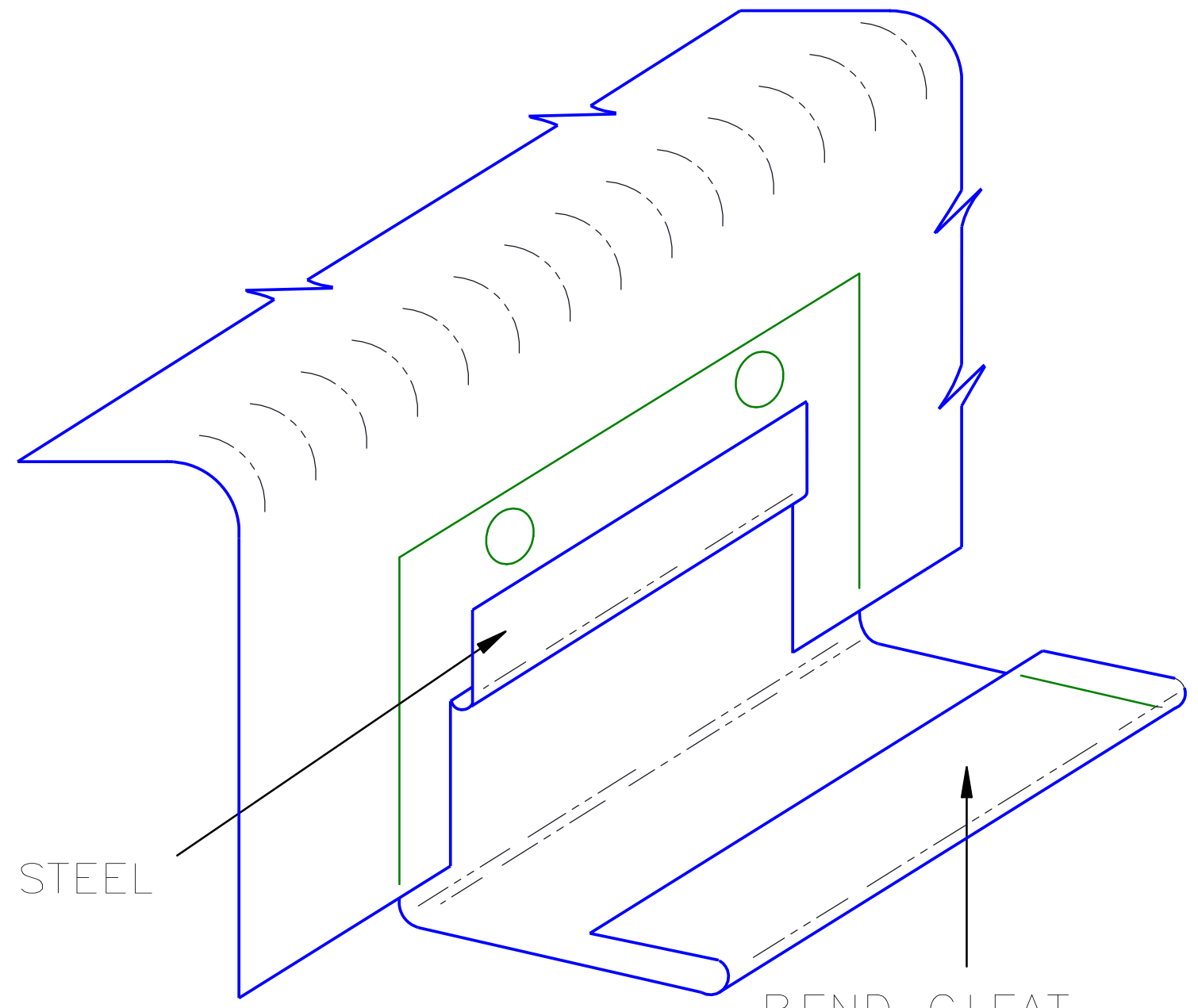
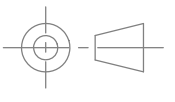
3 - Coping Concealed at Front Face

REVISION:
A

SHEET:
1 of 1

SIZE:
A3

DATE:
22/11/2013



SLIT STAINELSS STEEL
AND BEND UP
TAB 13mm

BEND CLEAT
UP AND HOOK
INTO TAB

03CC07 CLEAT DETAIL

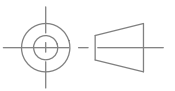


Ambro Metals Ltd
PO Box 15599
New Lynn 0604
Auckland
New Zealand

www.ambrometals.com
Copyright © 2013 Ambro Metals Ltd
Information contained in this drawing may not be reproduced or used for any purpose without express written permission from Ambro Metals Limited

TITLE / PART NUMBER:
Section 4 - B Walls
3 - Cleat Detail

REVISION: A	SHEET: 1 of 1	SIZE: A3	DATE: 22/11/2013
----------------	------------------	-------------	---------------------



19mm LOCK
TYP.

25mm HIGH
STANDING
SEAM

76mm LAP

13mm LOCK

LOCKING STRIP
SOLDERED TO
BASE FLASHING

03PW03 STANDING SEAM PARAPET LINING

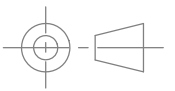


Ambro Metals Ltd
PO Box 15599
New Lynn 0604
Auckland
New Zealand

www.ambrometals.com
Copyright © 2013 Ambro Metals Ltd
Information contained in this drawing may not be reproduced or used for any purpose without express written permission from Ambro Metals Limited

TITLE / PART NUMBER:
Section 4 - B Walls
2 - Standing Seam Parapet Lining

REVISION: A	SHEET: 1 of 1	SIZE: A3	DATE: 22/11/2013
-----------------------	------------------	--------------------	----------------------------



STAINLESS STEEL SCREWS
IN INSERTS 250mm O.C.

19mm LOCK

13mm LOCK

LOOSE LOCK
EXPANSION JOINT

INSULATION

WOOD NAILERS

03PW01 ONE-PIECE COPING AND BASE

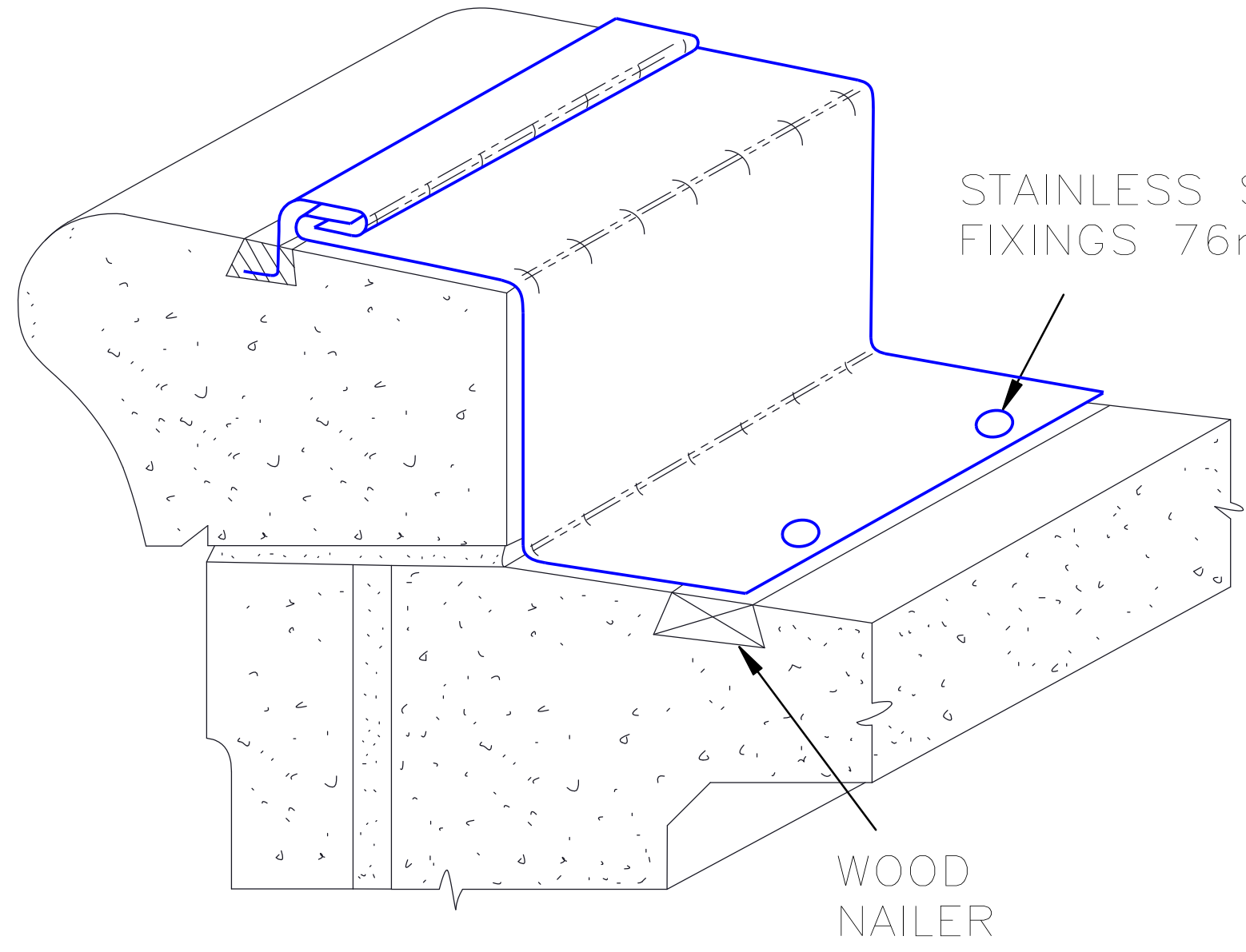
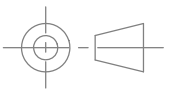


Ambro Metals Ltd
PO Box 15599
New Lynn 0604
Auckland
New Zealand

www.ambrometals.com
Copyright © 2013 Ambro Metals Ltd
Information contained in this drawing may not be reproduced or used for any purpose without express written permission from Ambro Metals Limited

TITLE / PART NUMBER:
Section 4 - B Walls
2 - One-piece Coping and Base

REVISION: A	SHEET: 1 of 1	SIZE: A3	DATE: 22/11/2013
-----------------------	------------------	--------------------	----------------------------



STAINLESS STEEL
FIXINGS 76mm O.C.

WOOD
NAILER

03PW02 LOCKING STRIP SECURED IN REGLET

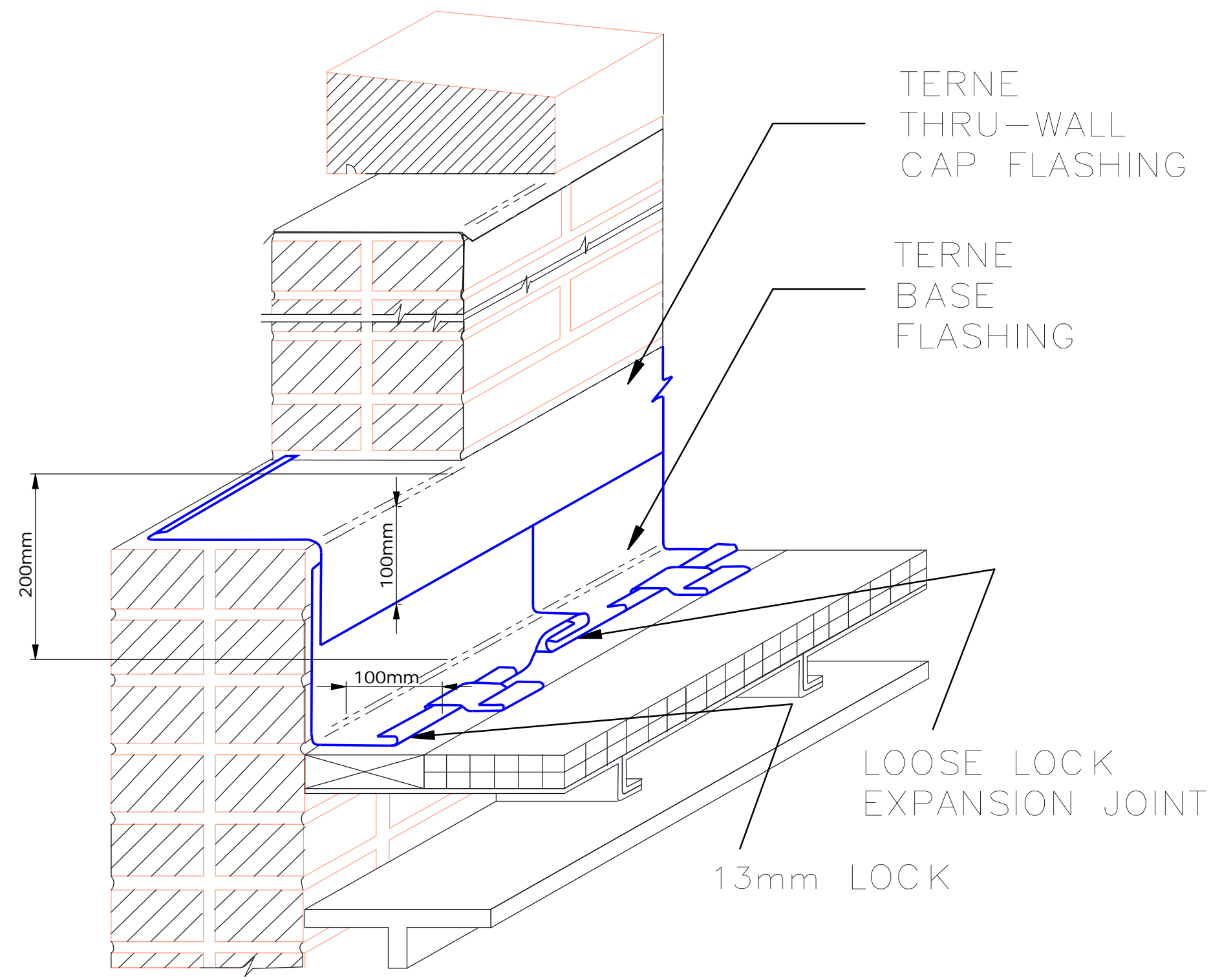
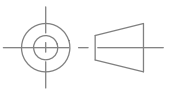
AMBROMETALS

Ambro Metals Ltd
PO Box 15599
New Lynn 0604
Auckland
New Zealand

www.ambrometals.com
Copyright © 2013 Ambro Metals Ltd
Information contained in this drawing may not be reproduced or used for any purpose without express written permission from Ambro Metals Limited

TITLE / PART NUMBER:
Section 4 - B Walls
2 - Locking Strip Secured in Reglet

REVISION:	SHEET:	SIZE:	DATE:
A	1 of 1	A3	22/11/2013



TERNE
THRU-WALL
CAP FLASHING

TERNE
BASE
FLASHING

LOOSE LOCK
EXPANSION JOINT

13mm LOCK

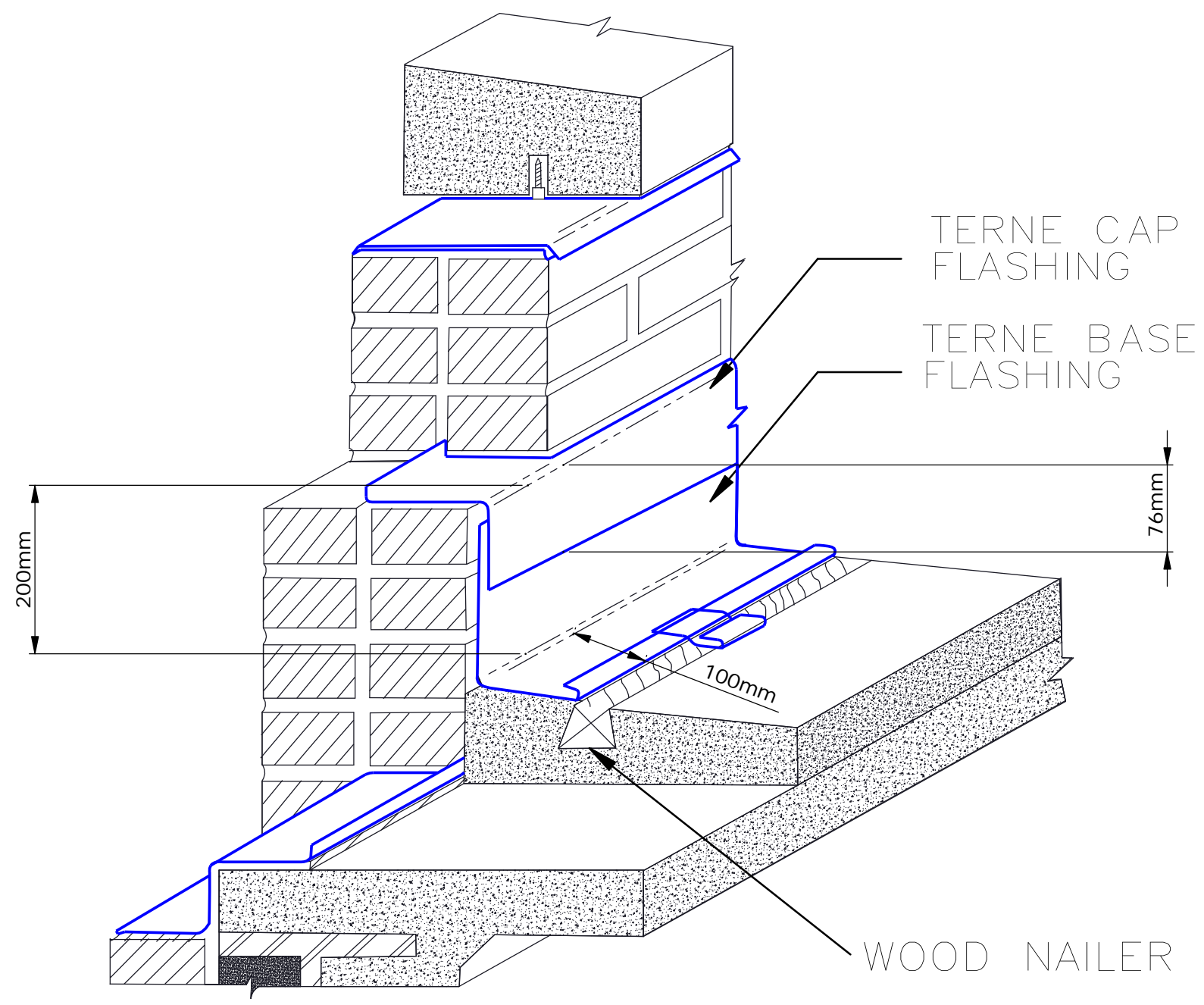
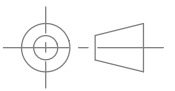
03BC02 BASE FLASHING WITH THRU-WALL CAP

AMBROMETALS

Ambro Metals Ltd
PO Box 15599
New Lynn 0604
Auckland
New Zealand

www.ambrometals.com
Copyright © 2013 Ambro Metals Ltd
Information contained in this drawing may not be reproduced or used for any purpose without express written permission from Ambro Metals Limited

TITLE / PART NUMBER: Section 4 - B Walls 1 - Base Flashing with thru Wall Cap			
REVISION: A	SHEET: 1 of 1	SIZE: A3	DATE: 22/11/2013



03BC01 BASE FLASHING WITH PLAIN CAP

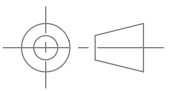


Ambro Metals Ltd
PO Box 15599
New Lynn 0604
Auckland
New Zealand

www.ambrometals.com
Copyright © 2013 Ambro Metals Ltd
Information contained in this drawing may not be reproduced or used for any purpose without express written permission from Ambro Metals Limited

TITLE / PART NUMBER:
Section 4 - B Walls
1 - Base Flashing with Plain Cap

REVISION:	SHEET:	SIZE:	DATE:
A	1 of 1	A3	22/11/2013



50mm WIDE
STAINLES STEEL
FONT 200mm O.C.

100mm MINIMUM

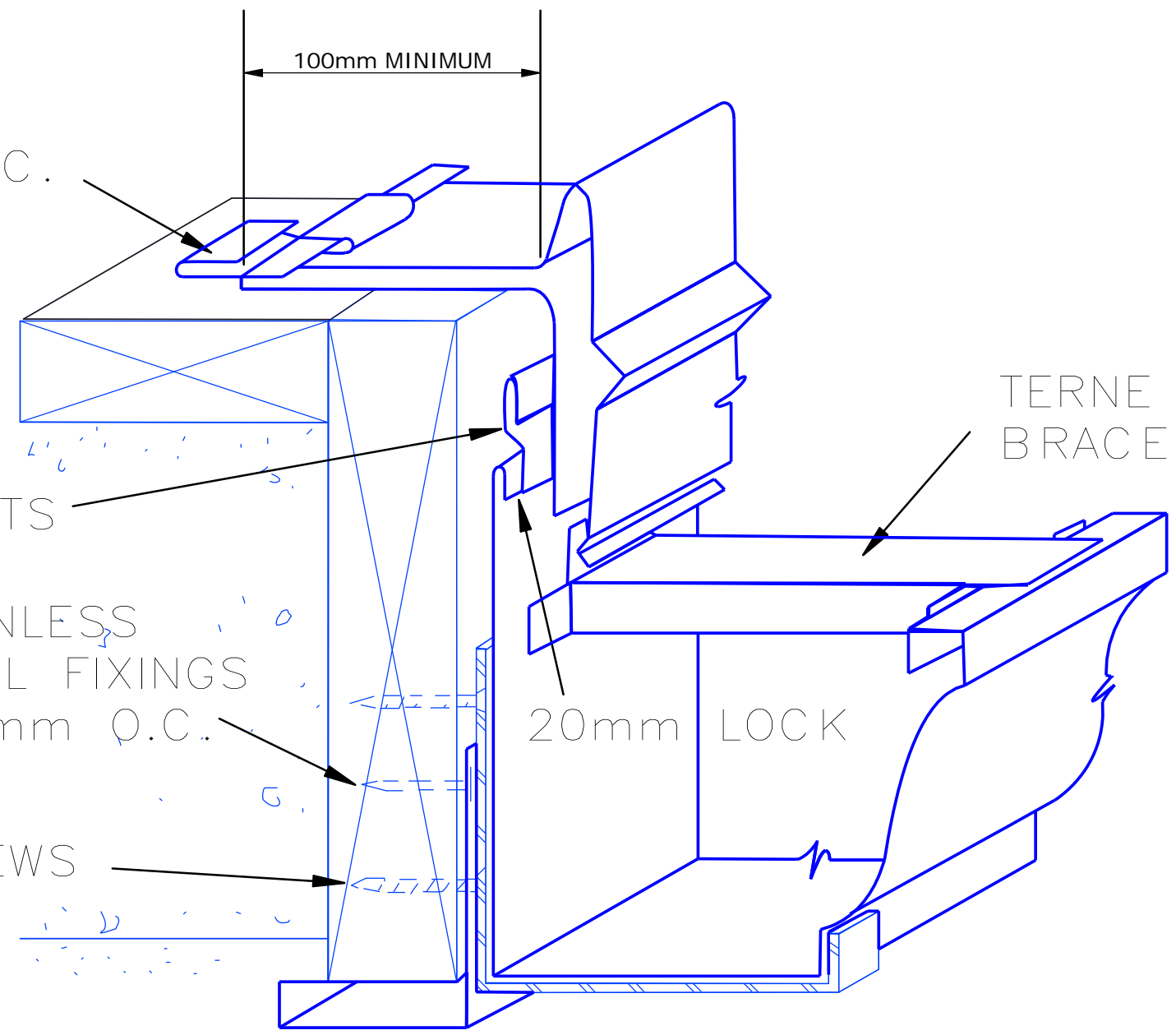
50mm WIDE
STAINLESS STEEL CLEATS
610mm O.C.

TERNE GUTTER
BRACE

STAINLESS
STEEL FIXINGS
100mm O.C.

20mm LOCK

2 STAINLESS STEEL SCREWS
IN EACH HANGER



04HG06 WITH FLAT ROOF OR FASCIA GRAVEL STOP

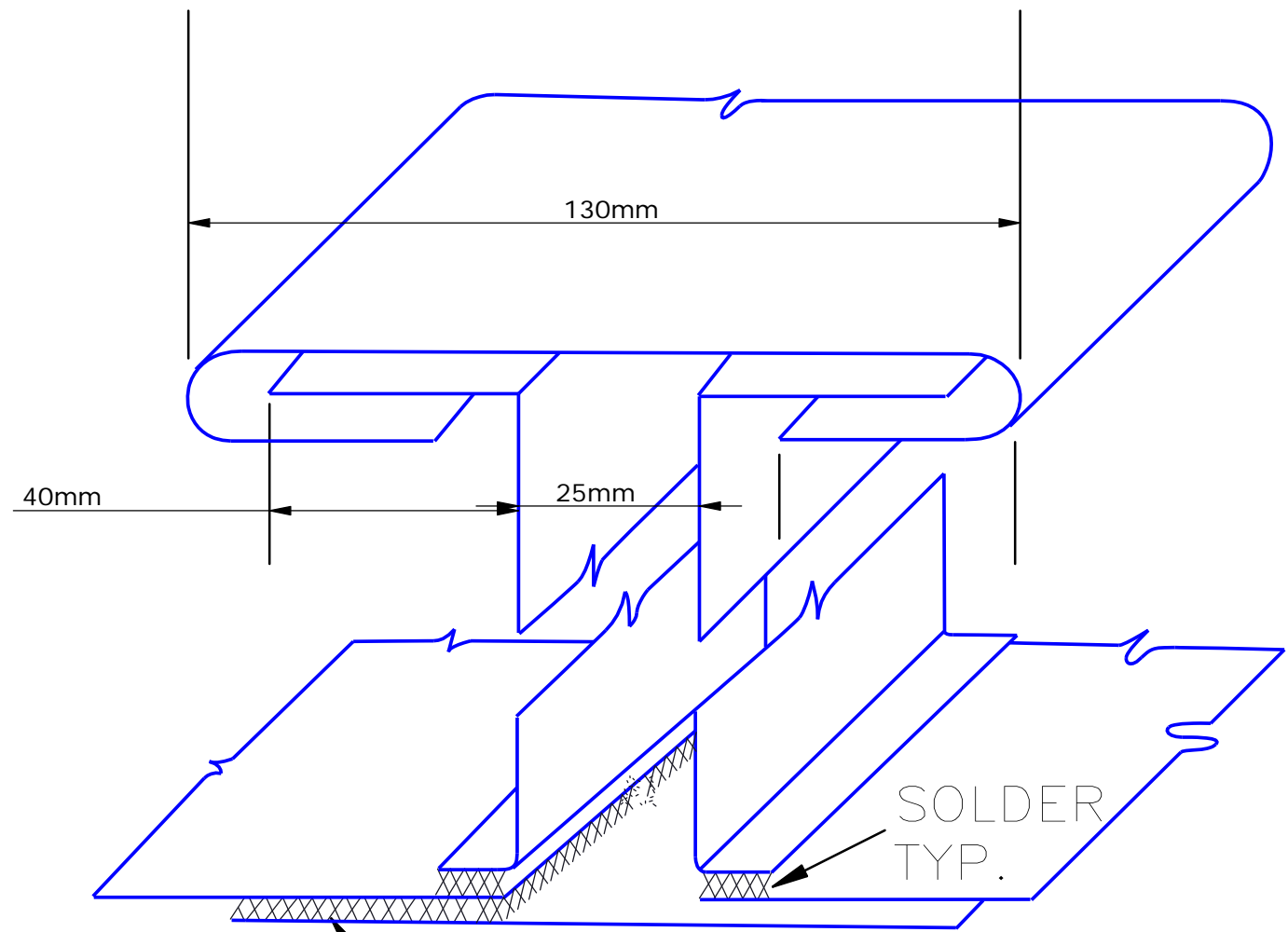
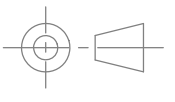
AMBROMETALS

Ambro Metals Ltd
PO Box 15599
New Lynn 0604
Auckland
New Zealand

www.ambrometals.com
Copyright © 2013 Ambro Metals Ltd
Information contained in this drawing may not be reproduced or used for any purpose without express written permission from Ambro Metals Limited

TITLE / PART NUMBER:
Section 4 - C Flashings and Gutters
2 - With Flat Roof or Fascia Gravel Steps

REVISION: A	SHEET: 1 of 1	SIZE: A3	DATE: 22/11/2013
-----------------------	------------------	--------------------	----------------------------



COVER STRIP SOLDERED ONE SIDE ONLY

04HG05 SECTION A-A

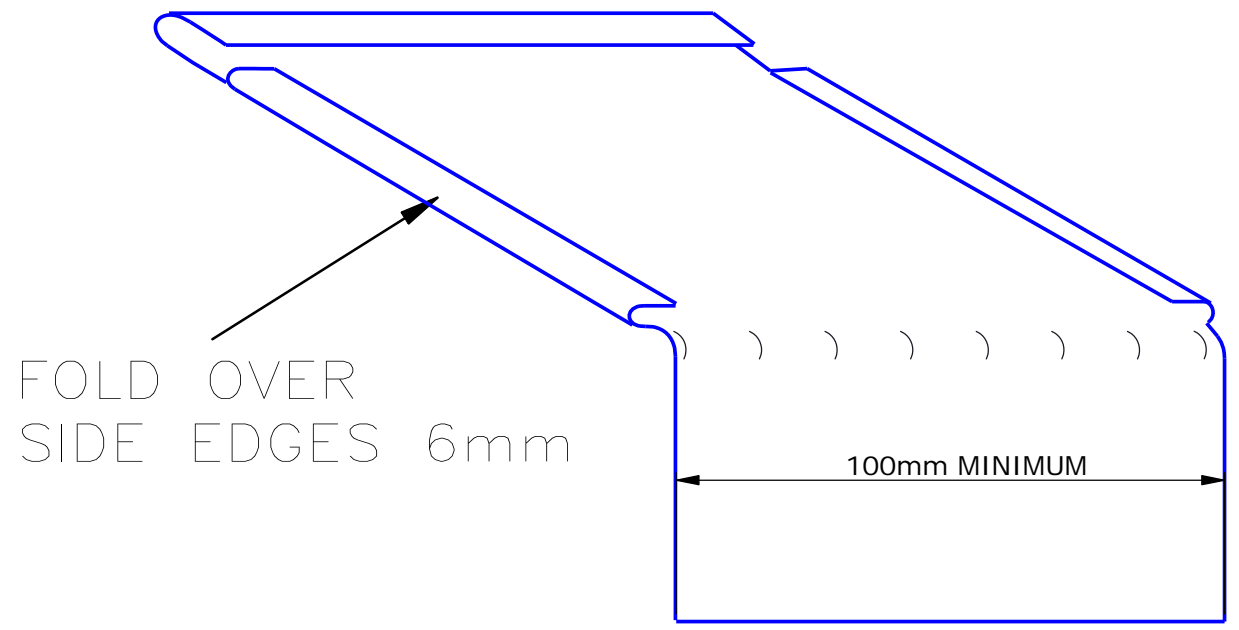
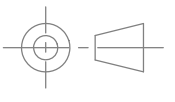
AMBROMETALS

Ambro Metals Ltd
PO Box 15599
New Lynn 0604
Auckland
New Zealand

www.ambrometals.com
Copyright © 2013 Ambro Metals Ltd
Information contained in this drawing may not be reproduced or used for any purpose without express written permission from Ambro Metals Limited

TITLE / PART NUMBER:
Section 4 - C Flashings and Gutters
2 - Section A-A

REVISION: A	SHEET: 1 of 1	SIZE: A3	DATE: 22/11/2013
-----------------------	------------------	--------------------	----------------------------



FOLD OVER
SIDE EDGES 6mm

100mm MINIMUM

04HG07 JOINT PAN

AMBROMETALS

Ambro Metals Ltd
PO Box 15599
New Lynn 0604
Auckland
New Zealand

www.ambrometals.com
Information contained in this drawing may not be reproduced or used for any purpose without express written permission from Ambro Metals Limited

Copyright © 2013 Ambro Metals Ltd

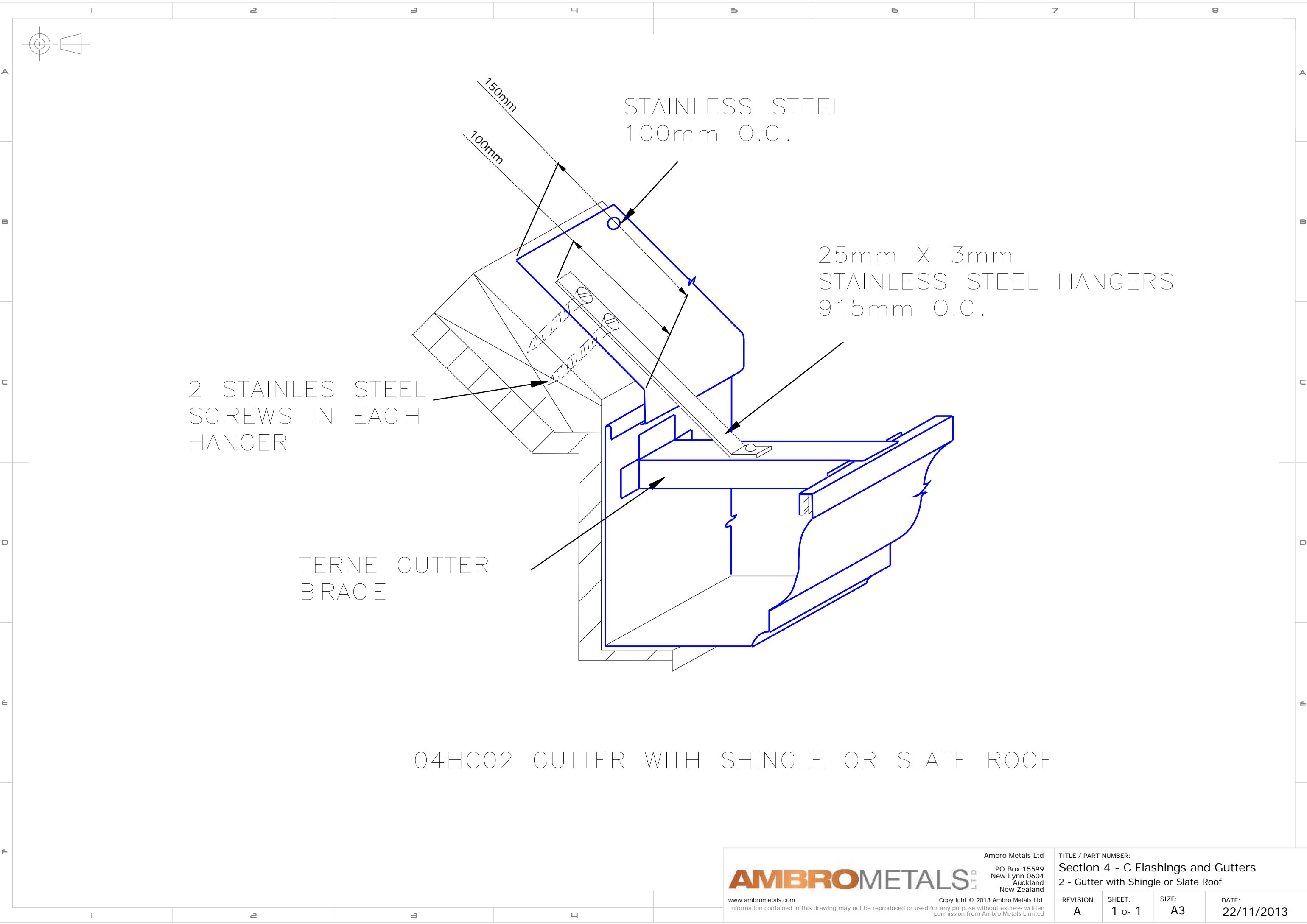
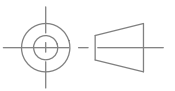
TITLE / PART NUMBER:
Section 4 - C Flashings and Gutters
2 - Joint Pan

REVISION:
A

SHEET:
1 of 1

SIZE:
A3

DATE:
22/11/2013



STAINLESS STEEL
100mm O.C.

25mm X 3mm
STAINLESS STEEL HANGERS
915mm O.C.

2 STAINLES STEEL
SCREWS IN EACH
HANGER

TERNE GUTTER
BRACE

04HG02 GUTTER WITH SHINGLE OR SLATE ROOF

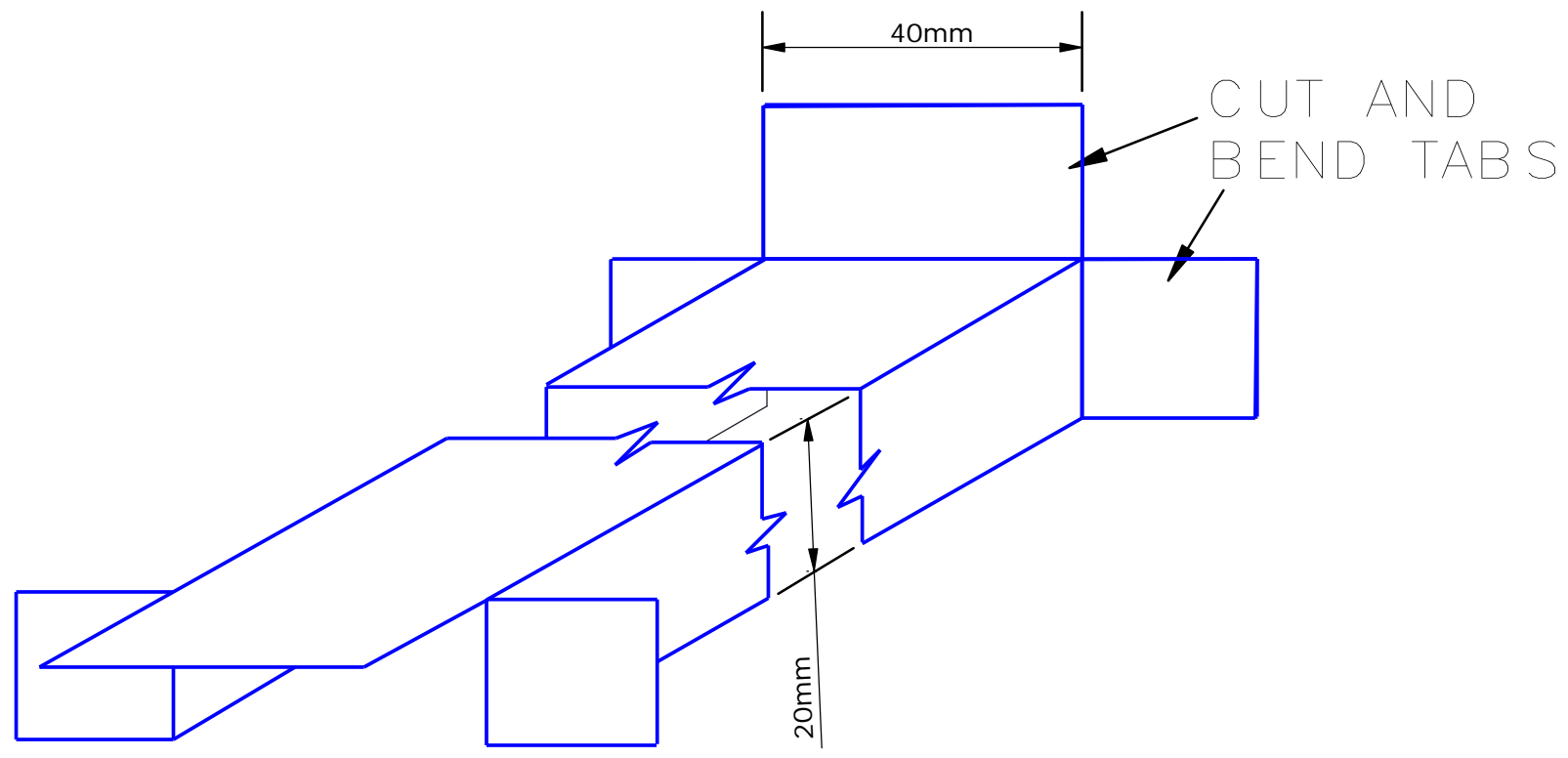
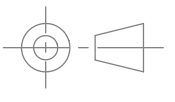
AMBROMETALS

Ambro Metals Ltd
PO Box 15599
New Lynn 0604
Auckland
New Zealand

www.ambrometals.com
Copyright © 2013 Ambro Metals Ltd
Information contained in this drawing may not be reproduced or used for any purpose without express written permission from Ambro Metals Limited

TITLE / PART NUMBER:
Section 4 - C Flashings and Gutters
2 - Gutter with Shingle or Slate Roof

REVISION: A	SHEET: 1 of 1	SIZE: A3	DATE: 22/11/2013
-----------------------	------------------	--------------------	----------------------------



04HG03 GUTTER BRACE

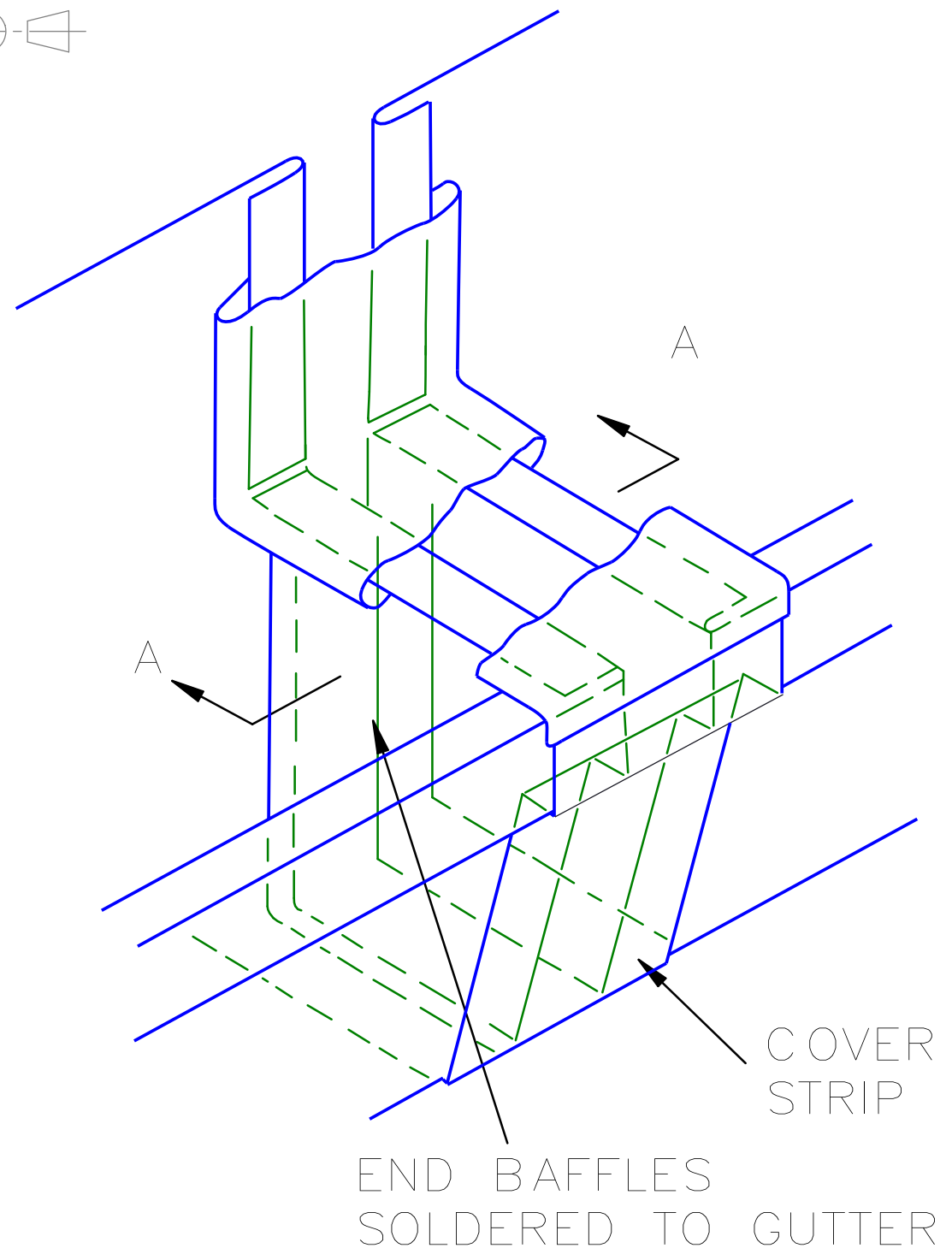
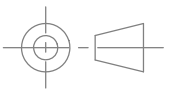


Ambro Metals Ltd
PO Box 15599
New Lynn 0604
Auckland
New Zealand

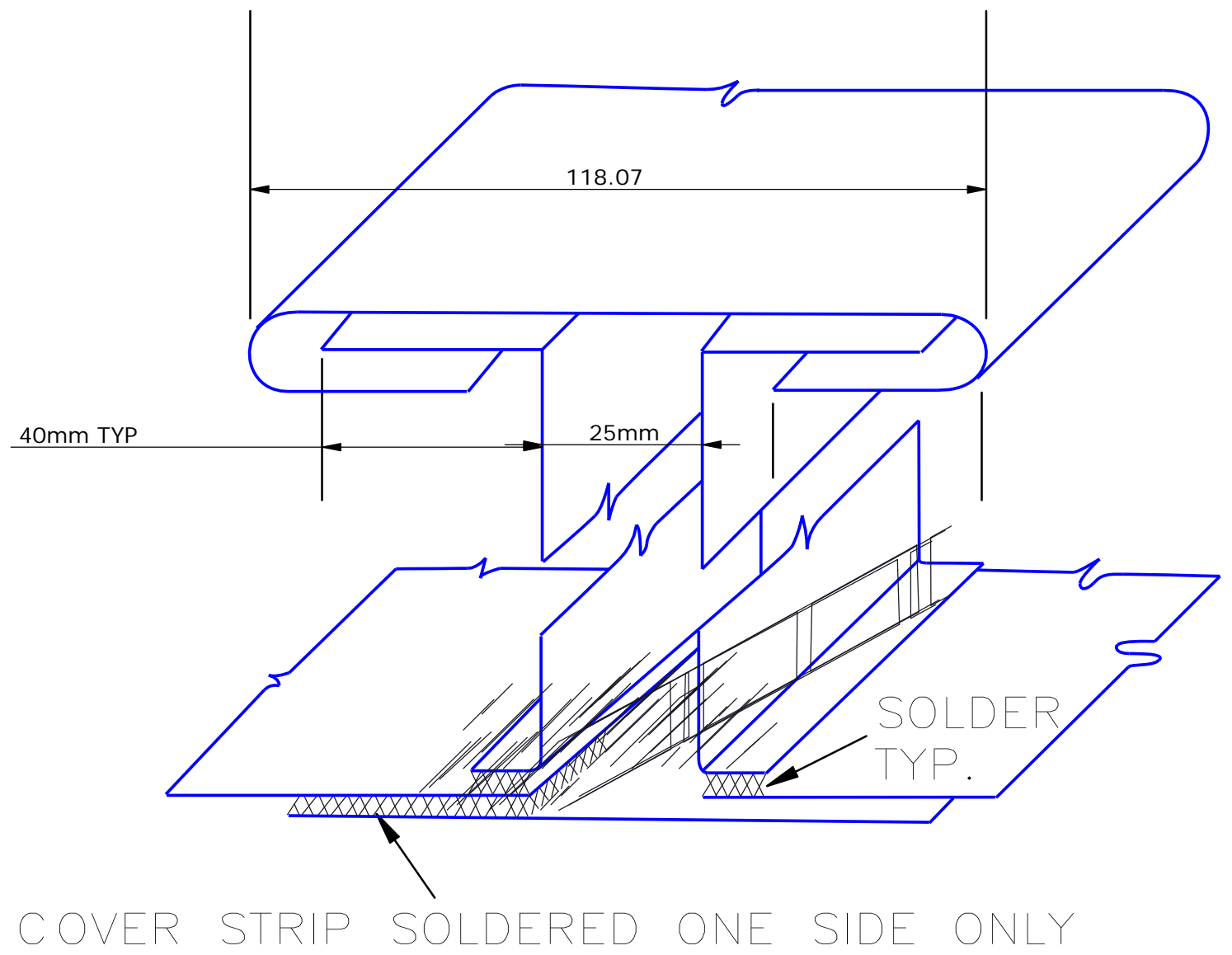
www.ambrometals.com
Copyright © 2013 Ambro Metals Ltd
Information contained in this drawing may not be reproduced or used for any purpose without express written permission from Ambro Metals Limited

TITLE / PART NUMBER:
Section 4 - C Flashings and Gutters
2 - Gutter Brace

REVISION: A	SHEET: 1 of 1	SIZE: A3	DATE: 22/11/2013
----------------	------------------	-------------	---------------------



04HG04 EXPANSION JOINT DETAIL



04HG05 SECTION A-A

AMBROMETALS

www.ambrometals.com

Ambro Metals Ltd
PO Box 15599
New Lynn 0604
Auckland
New Zealand

Copyright © 2013 Ambro Metals Ltd
Information contained in this drawing may not be reproduced or used for any purpose without express written permission from Ambro Metals Limited

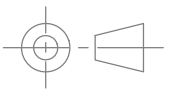
TITLE / PART NUMBER:
Section 4 - C Flashings and Gutters
2 - Expansion Joint Detail

REVISION:
A

SHEET:
1 OF 1

SIZE:
A3

DATE:
22/11/2013



STAINLESS STEEL
FIXINGS 76mm O.C.

SECURE STRAPS THRU TERNE ROOF
WITH STAINLESS STEEL SCREWS

25mm X 3mm
STAINLESS STEEL
STRAPS 915mm O.C.

100mm X 250mm STRIP OF TERNE
UNDER ENDS OF BATTEN
OR STANDING SEAM ROOFS

20mm LOCK

20mm X 5mm
STAINLESS STEEL BAR
USED WITH STAINLESS
STEEL STRAP

2 STAINLESS STEEL SCREWS
PER HANGER

25mm X 3mm STAINLESS STEEL HANGERS
76mm O.C.

04HG01 TERNE COATED STAINLESS STEEL GUTTER ROOF
(STANDING OR BATTEN SEAM)

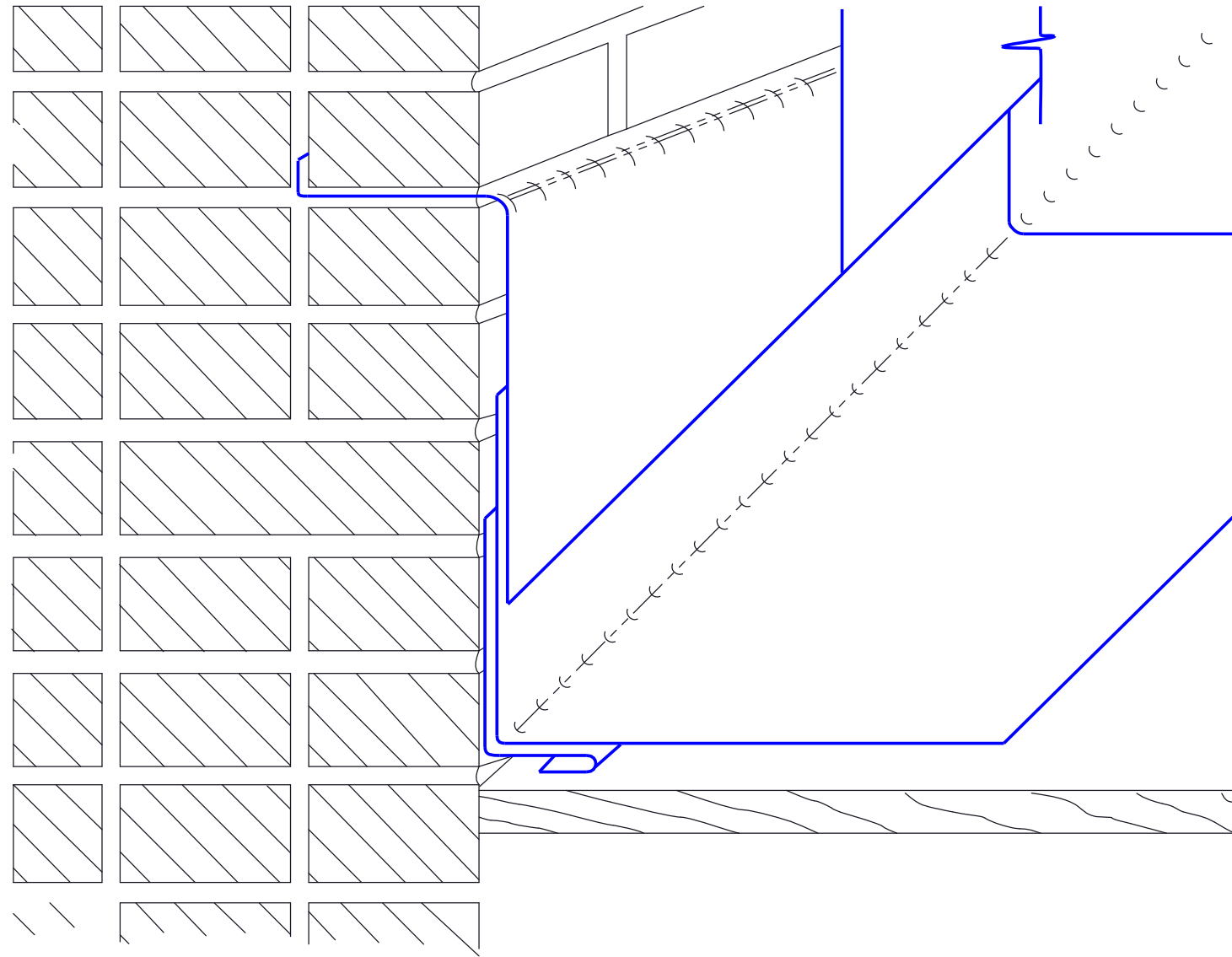
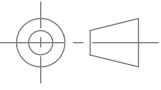


Ambro Metals Ltd
PO Box 15599
New Lynn 0604
Auckland
New Zealand

TITLE / PART NUMBER:
Section 4 - C Flashings and Gutters
2 - Cooper Roof with Standing Seam or Batten Seam

www.ambrometals.com
Information contained in this drawing may not be reproduced or used for any purpose without express written permission from Ambro Metals Limited

REVISION: A	SHEET: 1 of 1	SIZE: A3	DATE: 27/11/2013
-----------------------	-------------------------	--------------------	----------------------------



04BG09 SECTION D-D

AMBROMETALS

www.ambrometals.com

Information contained in this drawing may not be reproduced or used for any purpose without express written permission from Ambro Metals Limited

Ambro Metals Ltd
PO Box 15599
New Lynn 0604
Auckland
New Zealand

Copyright © 2013 Ambro Metals Ltd

TITLE / PART NUMBER:

Section 4 - C Flashings and Gutters

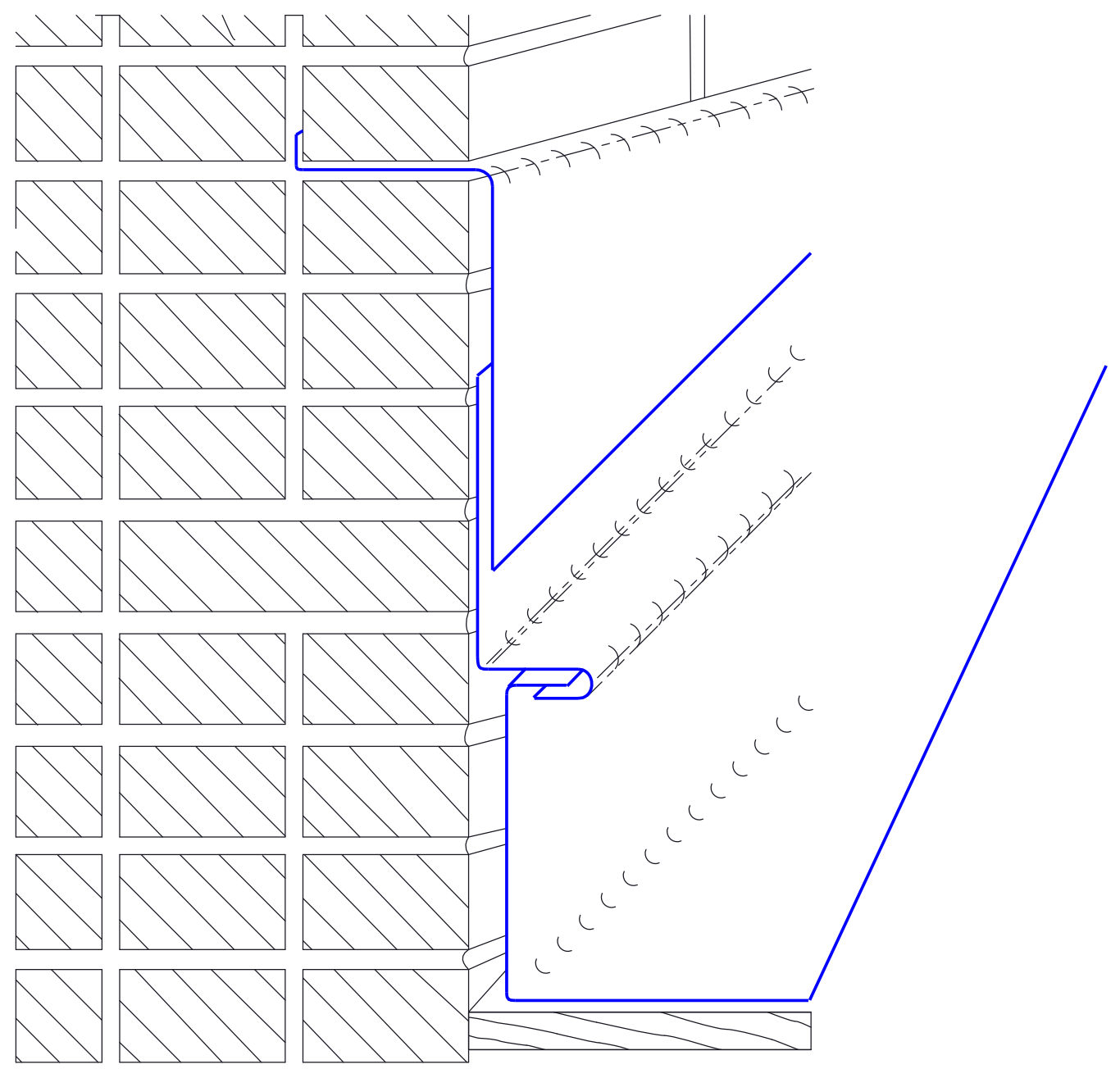
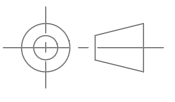
1 - Section D-D

REVISION:
A

SHEET:
1 of 1

SIZE:
A3

DATE:
22/11/2013



04B G08 SECTION C-C

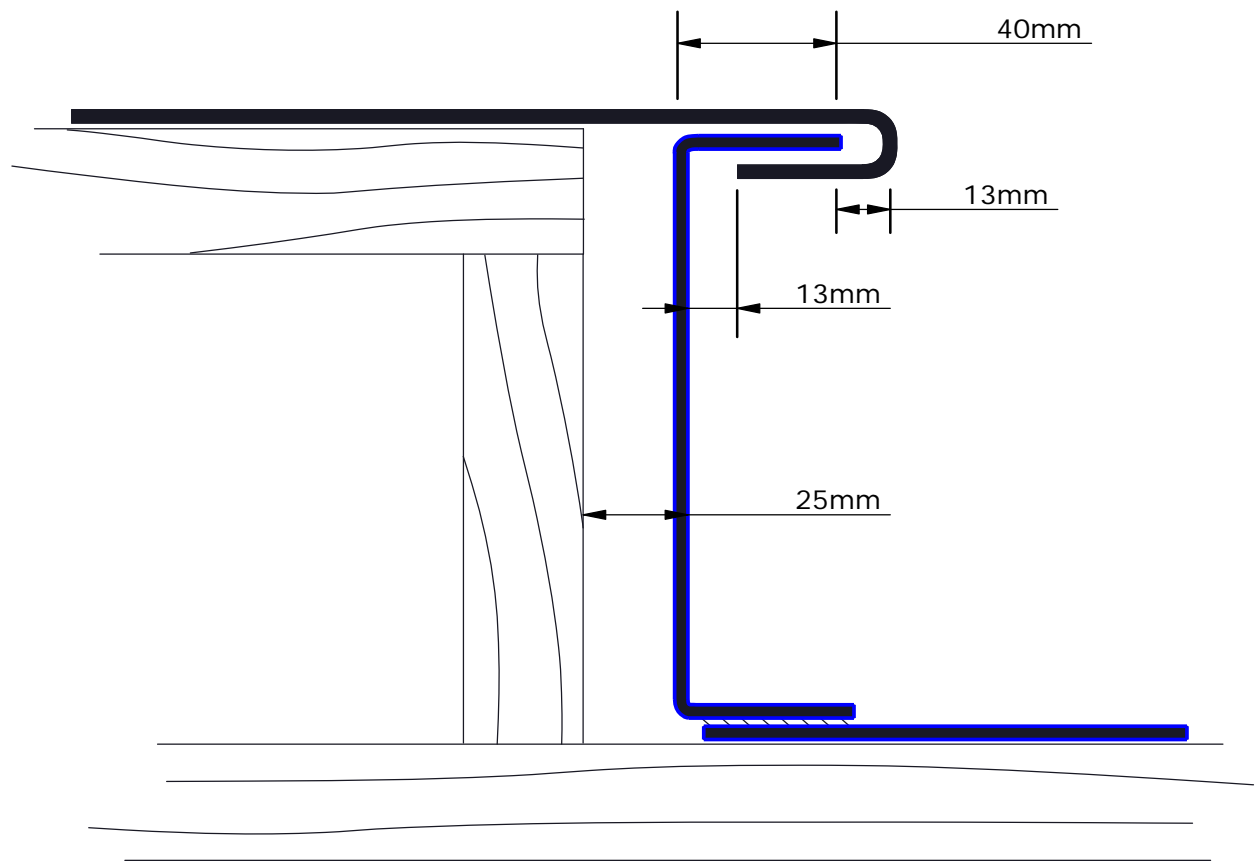
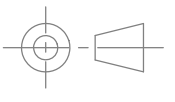
AMBROMETALS

Ambro Metals Ltd
PO Box 15599
New Lynn 0604
Auckland
New Zealand

www.ambrometals.com
Copyright © 2013 Ambro Metals Ltd
Information contained in this drawing may not be reproduced or used for any purpose without express written permission from Ambro Metals Limited

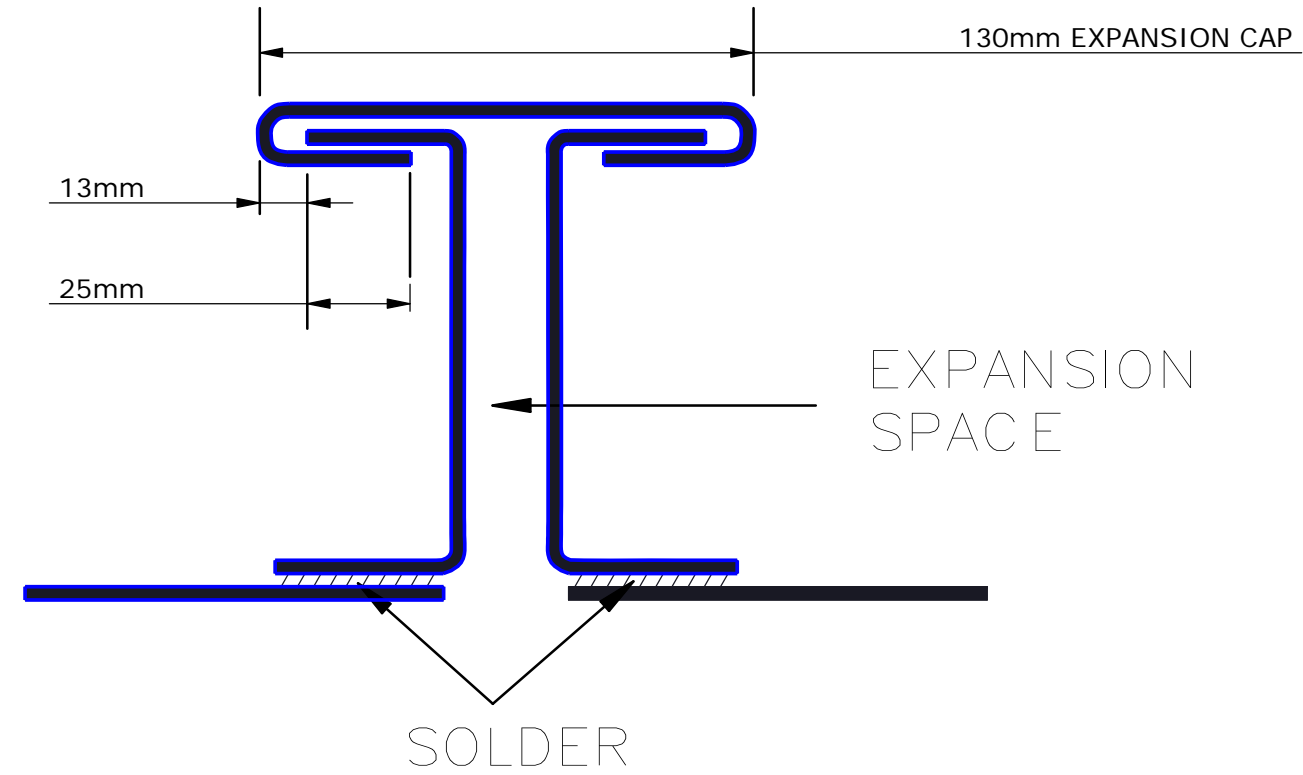
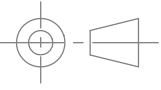
TITLE / PART NUMBER:
Section 4 - C Flashings and Gutters
1 - Section C-C

REVISION: A	SHEET: 1 of 1	SIZE: A3	DATE: 22/11/2013
-----------------------	-------------------------	--------------------	----------------------------



04BG06 SECTION B-B

AMBROMETALS www.ambrometals.com	Ambro Metals Ltd PO Box 15599 New Lynn 0604 Auckland New Zealand		TITLE / PART NUMBER: Section 4 - C Flashings and Gutters 1 - Section B-B	
	Copyright © 2013 Ambro Metals Ltd Information contained in this drawing may not be reproduced or used for any purpose without express written permission from Ambro Metals Limited	REVISION: A	SHEET: 1 of 1	SIZE: A3



04BG02 SECTION A-A

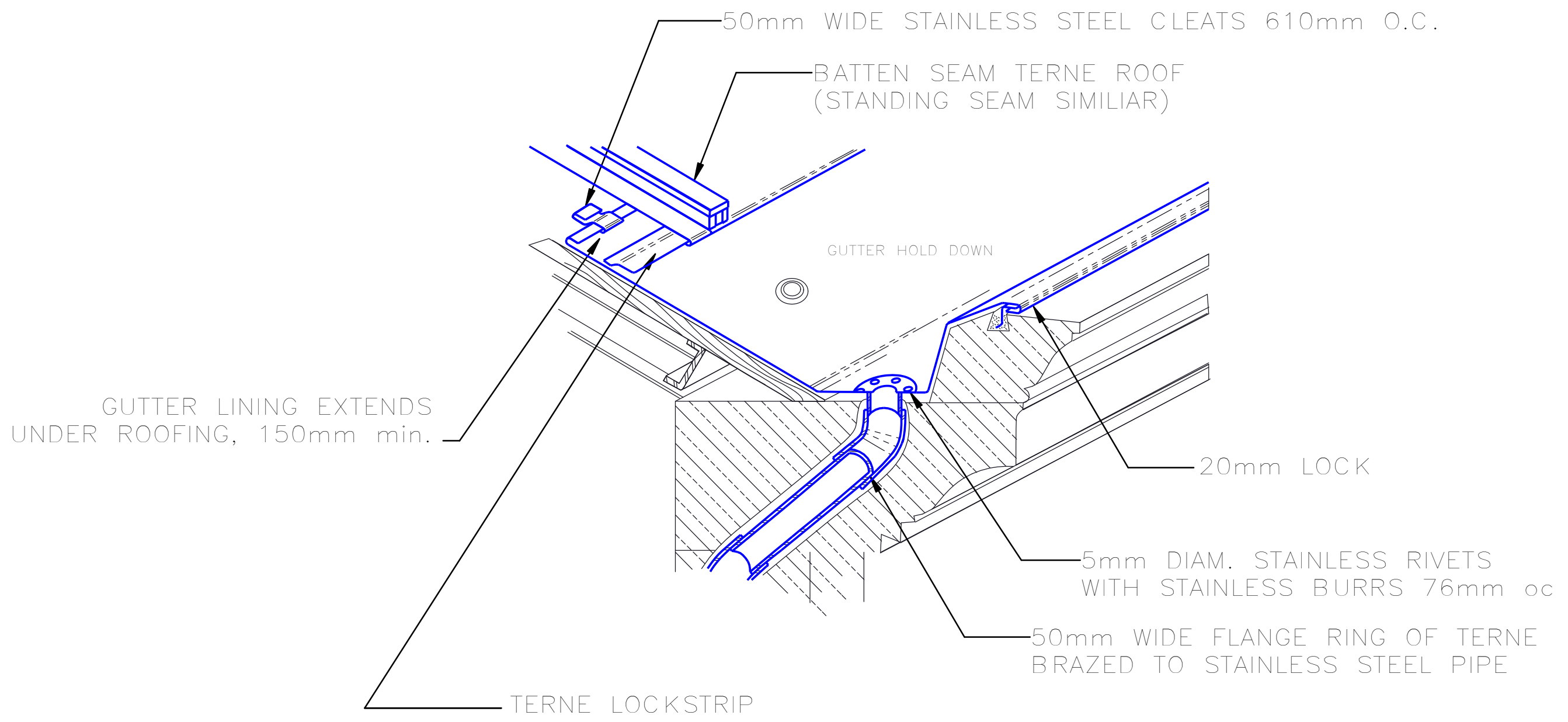
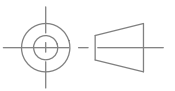
AMBROMETALS

Ambro Metals Ltd
PO Box 15599
New Lynn 0604
Auckland
New Zealand

www.ambrometals.com
Copyright © 2013 Ambro Metals Ltd
Information contained in this drawing may not be reproduced or used for any purpose without express written permission from Ambro Metals Limited

TITLE / PART NUMBER:
Section 4 - C Flashings and Gutters
1 - Section A-A

REVISION: A	SHEET: 1 OF 1	SIZE: A3	DATE: 22/11/2013
----------------	------------------	-------------	---------------------



04BG10 IN STONE CORNICE

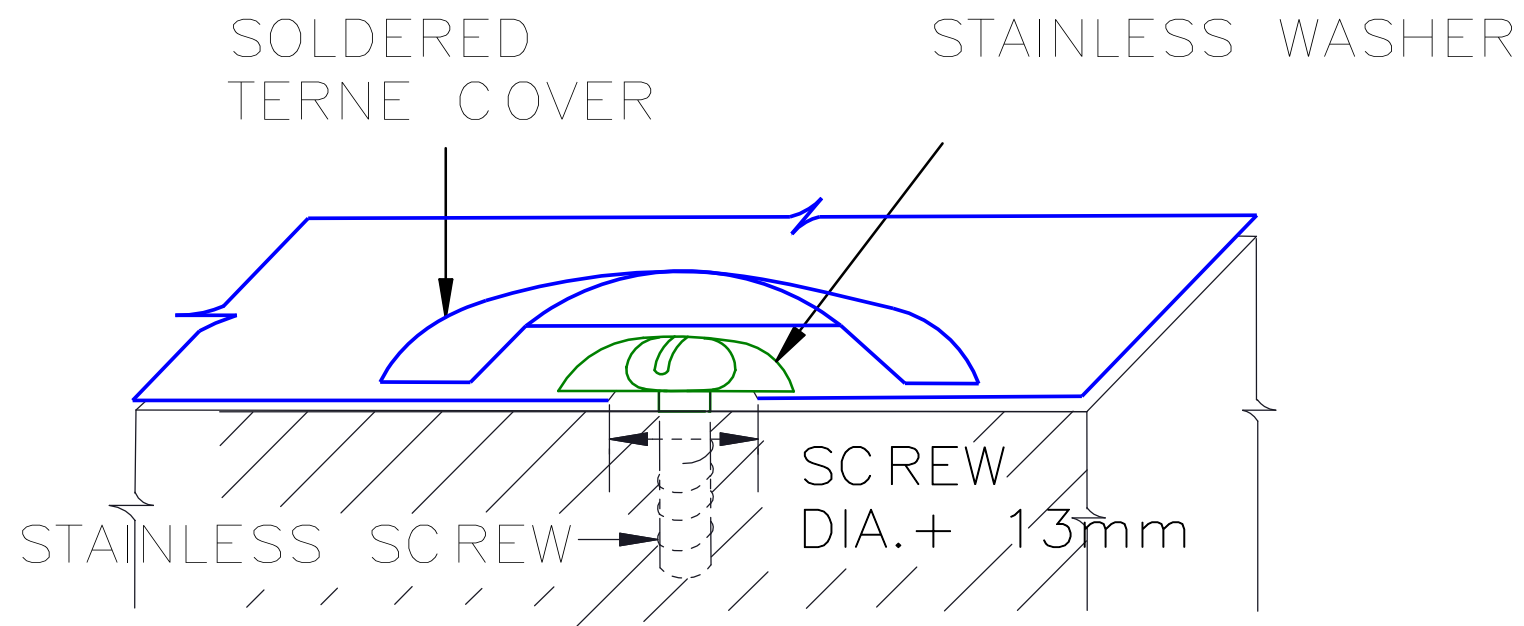
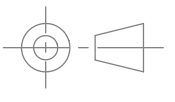
AMBROMETALS

Ambro Metals Ltd
PO Box 15599
New Lynn 0604
Auckland
New Zealand

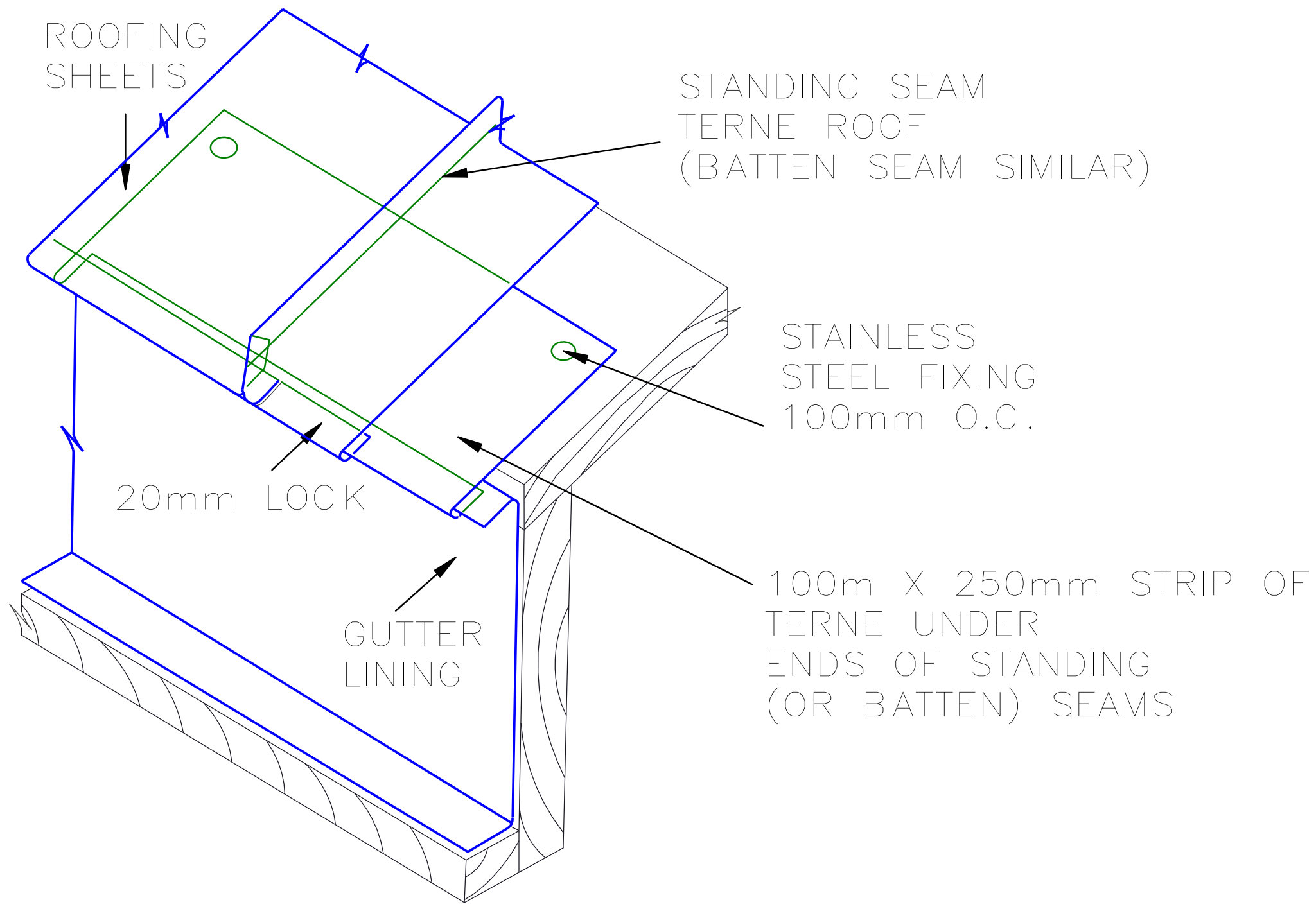
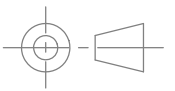
www.ambrometals.com
Copyright © 2013 Ambro Metals Ltd
Information contained in this drawing may not be reproduced or used for any purpose without express written permission from Ambro Metals Limited

TITLE / PART NUMBER:
Section 4 - C Flashings and Gutters
1 - In Stone Cornice

REVISION: A	SHEET: 1 of 1	SIZE: A3	DATE: 22/11/2013
-----------------------	------------------	--------------------	----------------------------



01BC24 HOLD DOWNS



02SD02 GUTTER AT EAVE

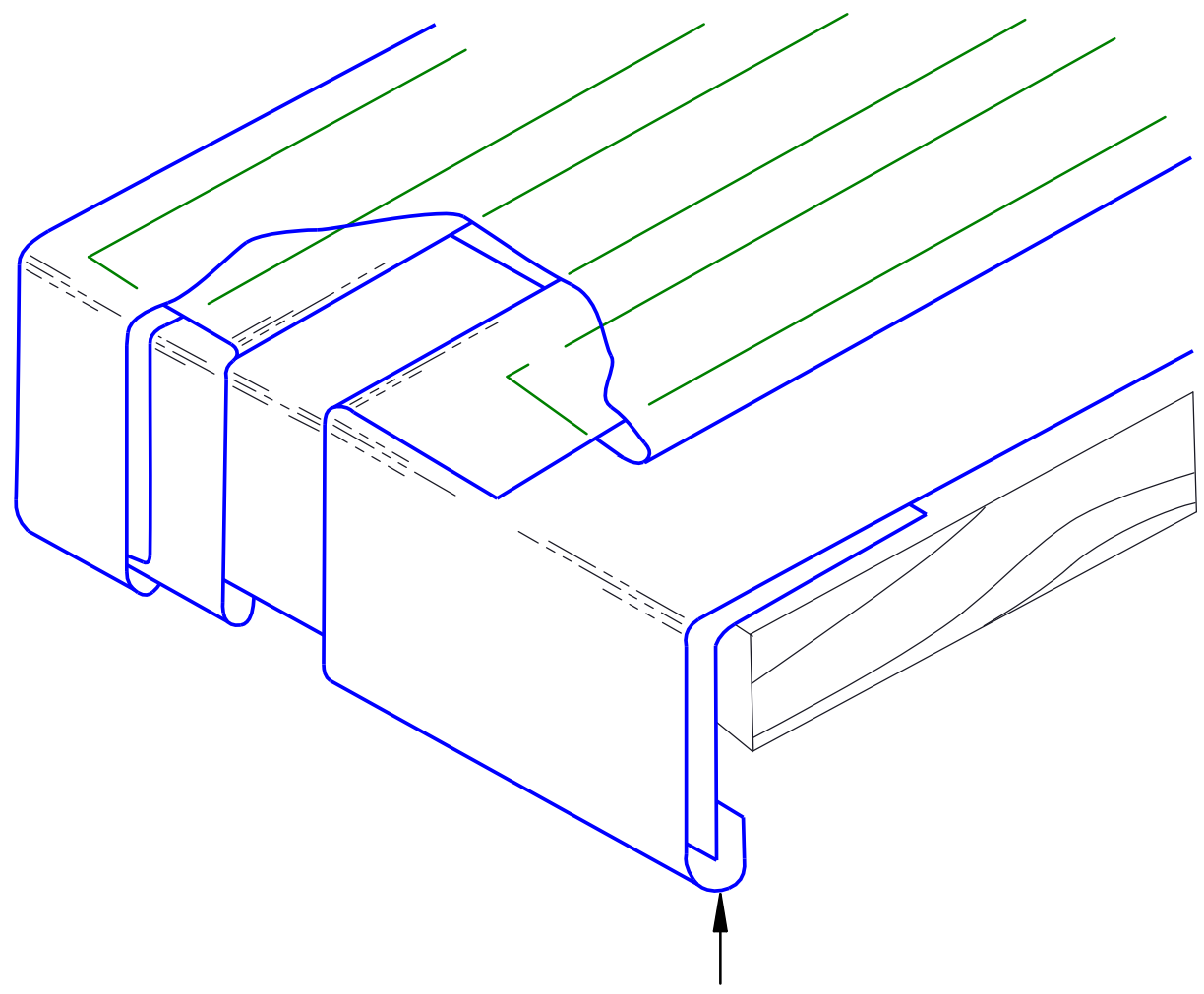
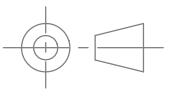
AMBROMETALS

Ambro Metals Ltd
 PO Box 15599
 New Lynn 0604
 Auckland
 New Zealand

www.ambrometals.com
 Copyright © 2013 Ambro Metals Ltd
 Information contained in this drawing may not be reproduced or used for any purpose without express written permission from Ambro Metals Limited

TITLE / PART NUMBER:
Section 4 - C Flashings and Gutters
 1 - Gutter at Eave

REVISION: A	SHEET: 1 of 1	SIZE: A3	DATE: 22/11/2013
-----------------------	------------------	--------------------	----------------------------



20mm LOCK

04BG03 DETAIL A-CAP OVER EXPANSION JOINT

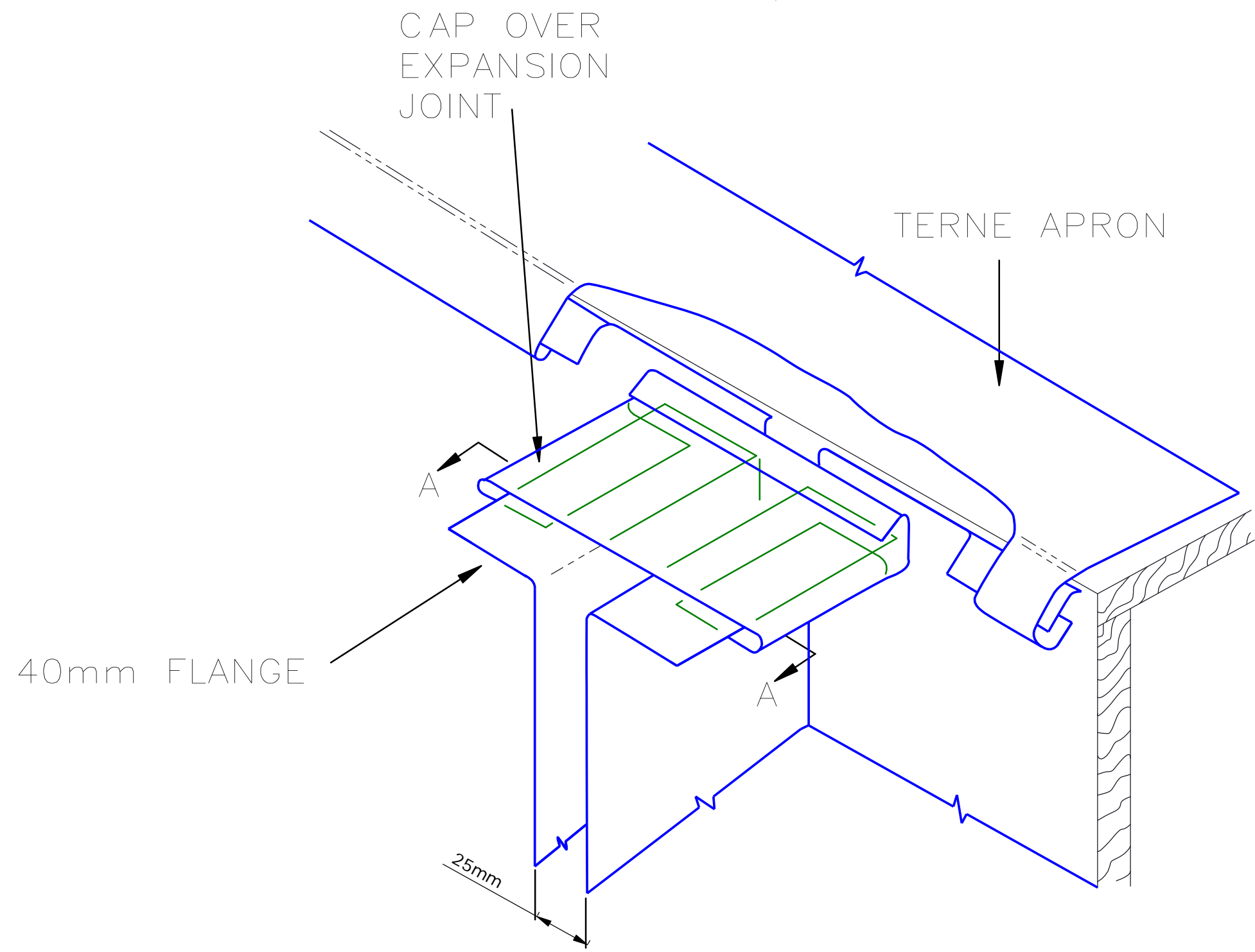
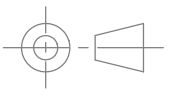
AMBROMETALS

Ambro Metals Ltd
PO Box 15599
New Lynn 0604
Auckland
New Zealand

www.ambrometals.com
Copyright © 2013 Ambro Metals Ltd
Information contained in this drawing may not be reproduced or used for any purpose without express written permission from Ambro Metals Limited

TITLE / PART NUMBER:
Section 4 - C Flashings and Gutters
1 - Detail A -Cap Over Expansion

REVISION: A	SHEET: 1 of 1	SIZE: A3	DATE: 22/11/2013
-----------------------	------------------	--------------------	----------------------------



CAP OVER
EXPANSION
JOINT

TERNE APRON

40mm FLANGE

25mm

04BG04 CAP OVER EXPANSION JOINT

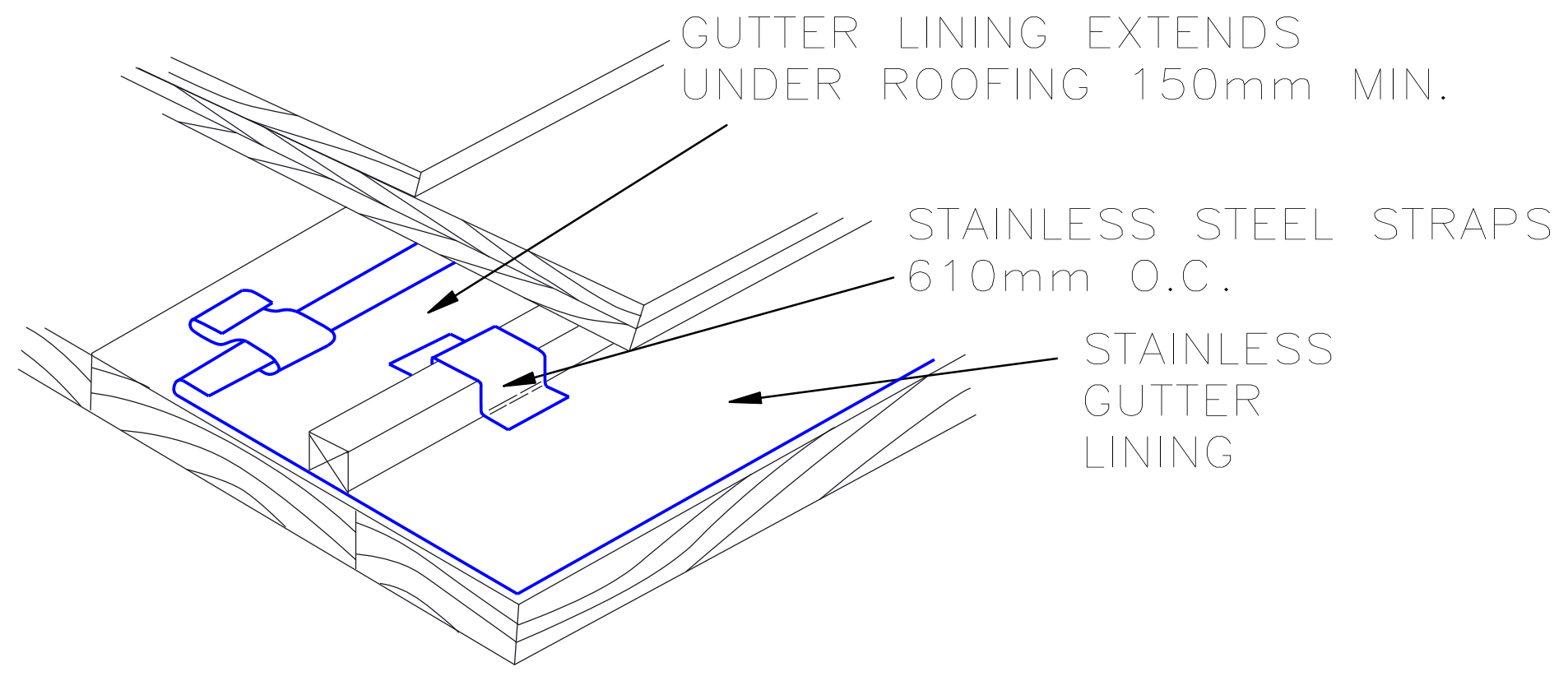
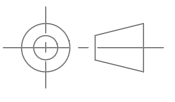
AMBROMETALS

Ambro Metals Ltd
PO Box 15599
New Lynn 0604
Auckland
New Zealand

www.ambrometals.com
Information contained in this drawing may not be reproduced or used for any purpose without express written permission from Ambro Metals Limited

TITLE / PART NUMBER:
Section 4 - C Flashings and Gutters
1 - Cap Over Expansion Joint

REVISION:	SHEET:	SIZE:	DATE:
A	1 OF 1	A3	22/11/2013



04BG12 CANT STRIP

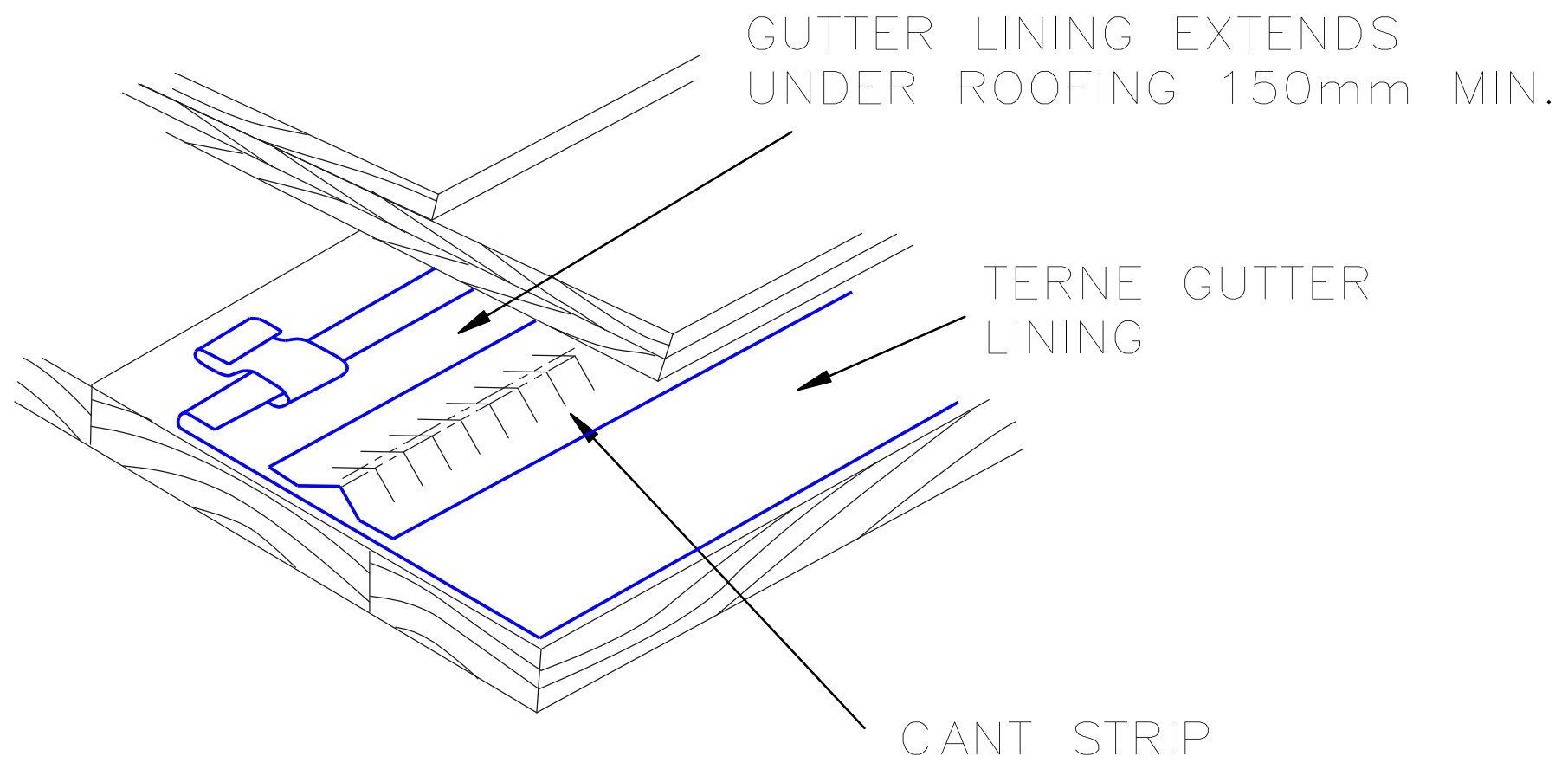
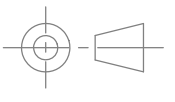
AMBROMETALS

Ambro Metals Ltd
PO Box 15599
New Lynn 0604
Auckland
New Zealand

www.ambrometals.com
Copyright © 2013 Ambro Metals Ltd
Information contained in this drawing may not be reproduced or used for any purpose without express written permission from Ambro Metals Limited

TITLE / PART NUMBER:
Section 4 - C Flashings and Gutters
1 - Cant Strip 12

REVISION: A	SHEET: 1 of 1	SIZE: A3	DATE: 22/11/2013
-----------------------	------------------	--------------------	----------------------------



04BG11 CANT STRIP

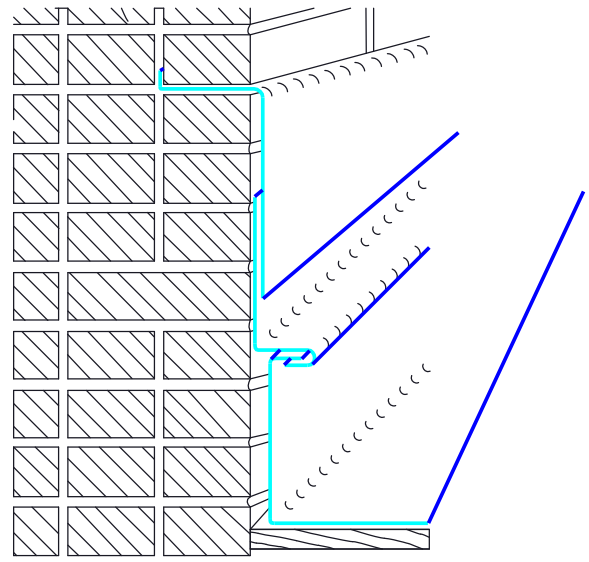
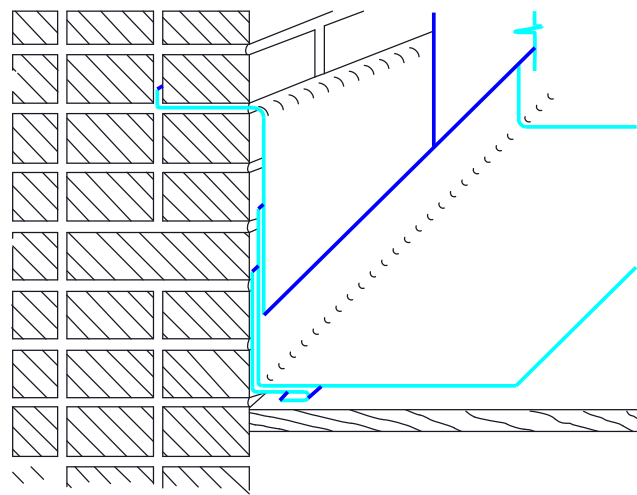
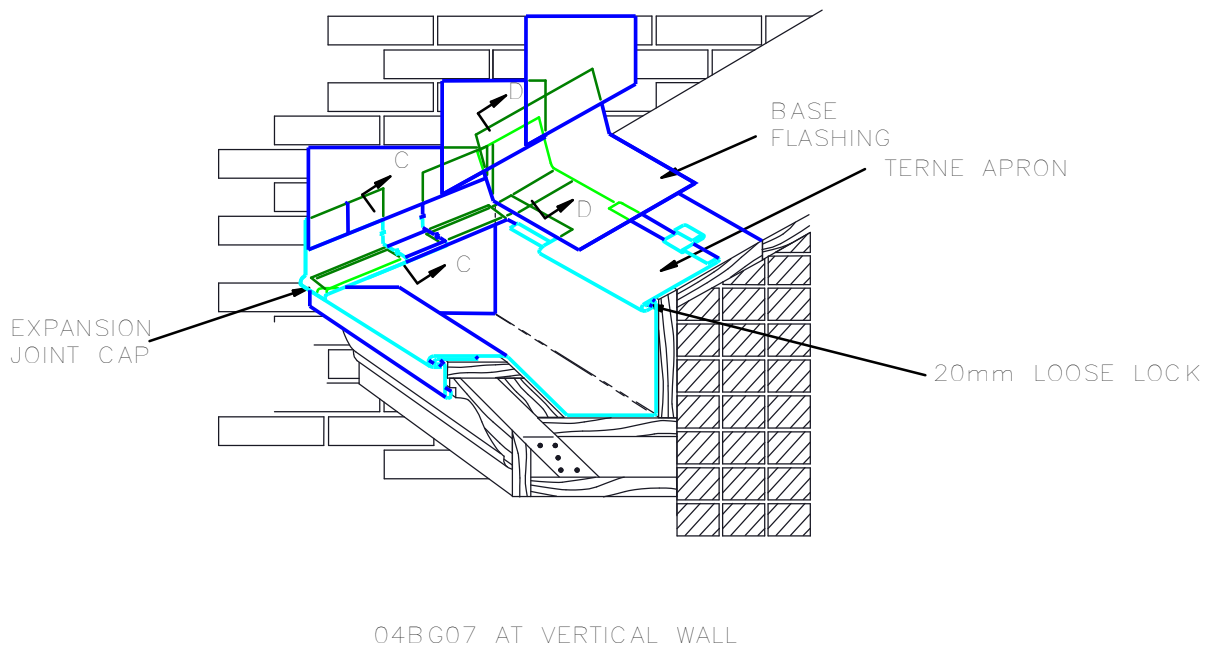
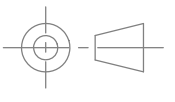


Ambro Metals Ltd
PO Box 15599
New Lynn 0604
Auckland
New Zealand

www.ambrometals.com
Copyright © 2013 Ambro Metals Ltd
Information contained in this drawing may not be reproduced or used for any purpose without express written permission from Ambro Metals Limited

TITLE / PART NUMBER:
Section 4 - C Flashings and Gutters
1 - Cant Strip 11

REVISION: A	SHEET: 1 of 1	SIZE: A3	DATE: 22/11/2013
----------------	------------------	-------------	---------------------



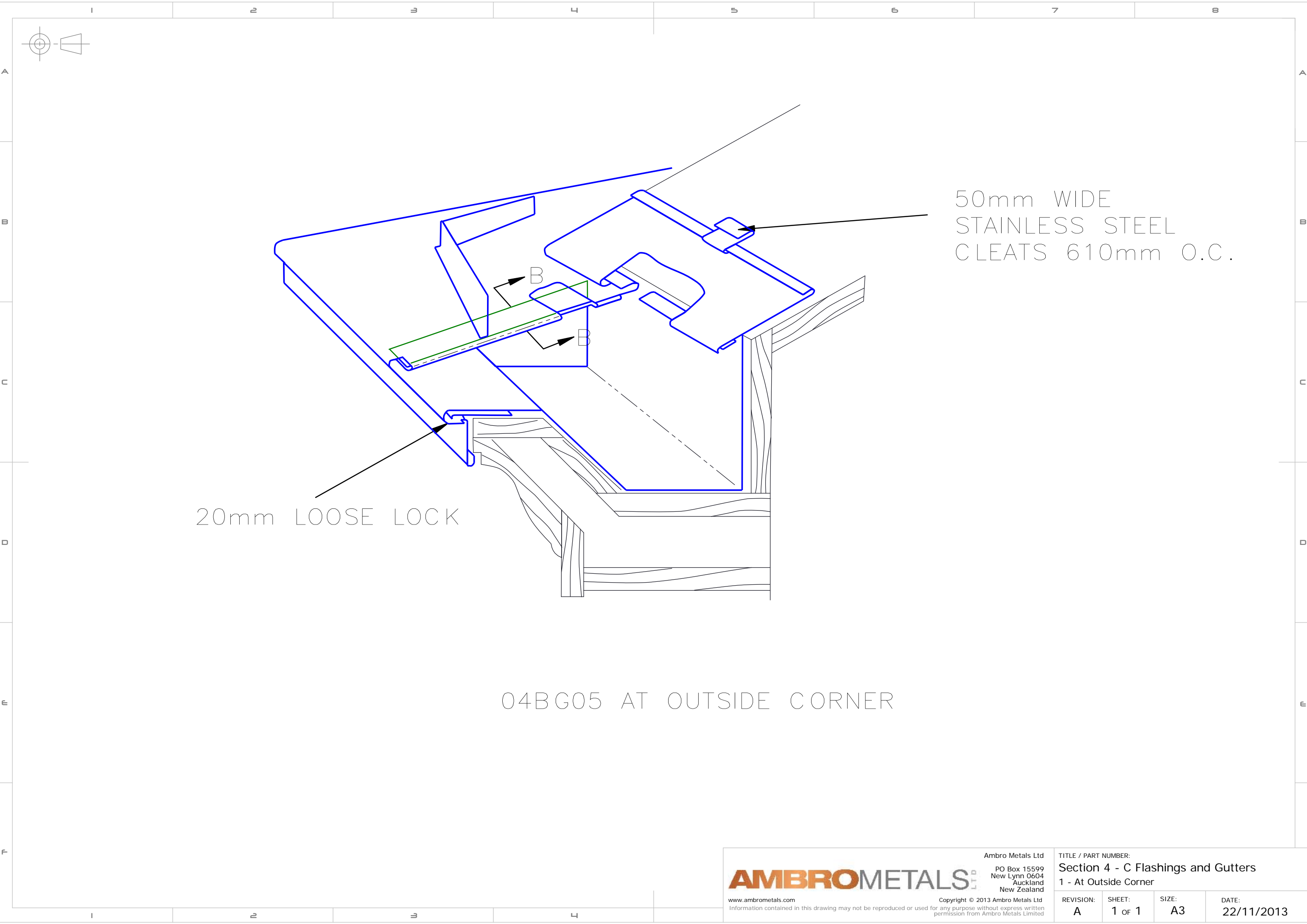
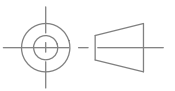
AMBROMETALS

Ambro Metals Ltd
 PO Box 15599
 New Lynn 0604
 Auckland
 New Zealand

www.ambrometals.com
 Copyright © 2013 Ambro Metals Ltd
 Information contained in this drawing may not be reproduced or used for any purpose without express written permission from Ambro Metals Limited

TITLE / PART NUMBER:
Section 4 - C Flashings and Gutters
 1 - At Vertical Wall

REVISION: A	SHEET: 1 OF 1	SIZE: A3	DATE: 22/11/2013
-----------------------	------------------	--------------------	----------------------------



50mm WIDE
STAINLESS STEEL
CLEATS 610mm O.C.

20mm LOOSE LOCK

04BG05 AT OUTSIDE CORNER

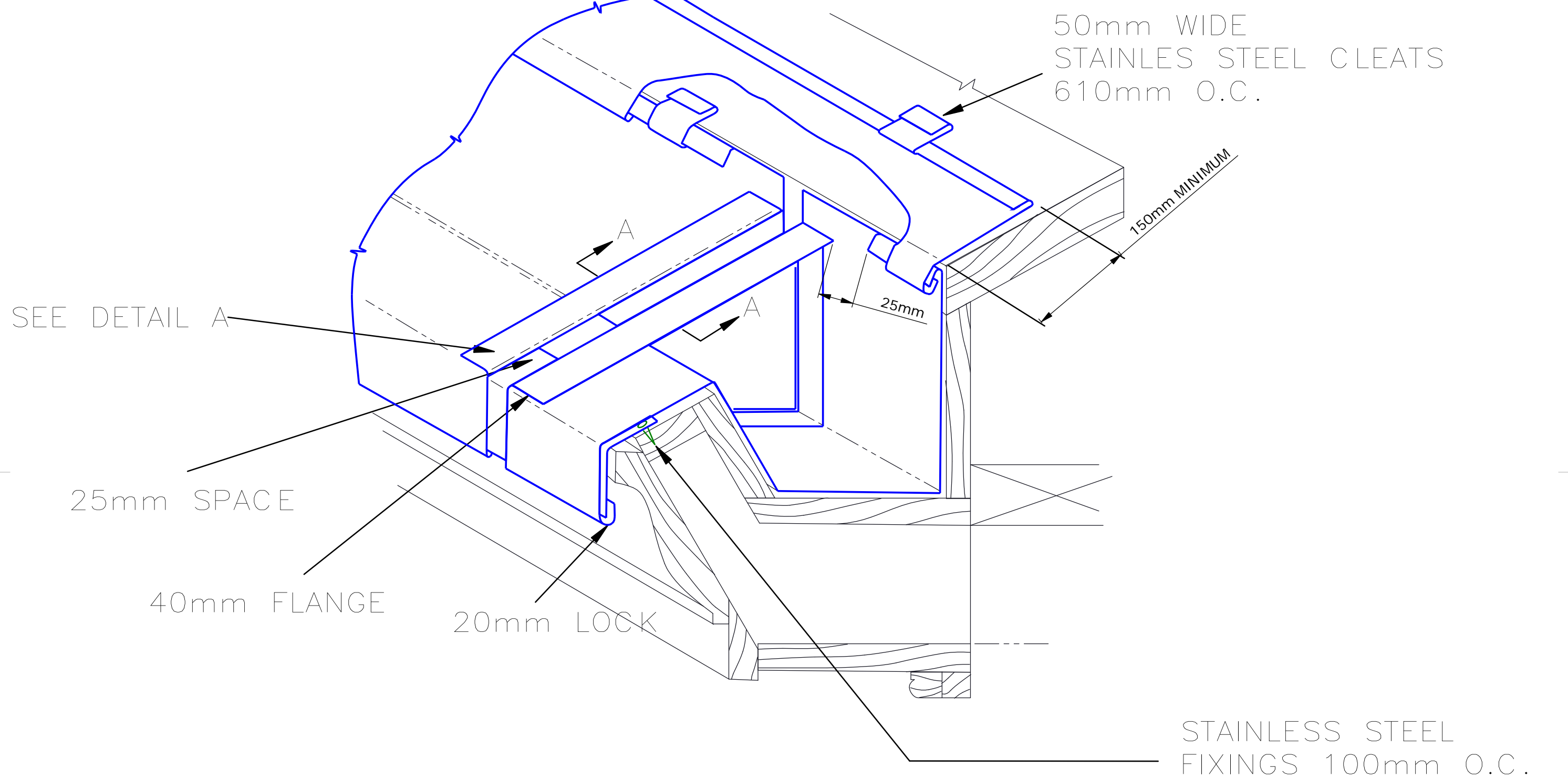
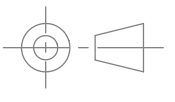
AMBROMETALS

Ambro Metals Ltd
PO Box 15599
New Lynn 0604
Auckland
New Zealand

www.ambrometals.com
Information contained in this drawing may not be reproduced or used for any purpose without express written permission from Ambro Metals Limited

TITLE / PART NUMBER:
Section 4 - C Flashings and Gutters
1 - At Outside Corner

REVISION:	SHEET:	SIZE:	DATE:
A	1 OF 1	A3	22/11/2013



04BG01 AT EXPANSION JOINT

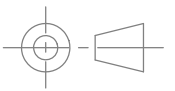
AMBROMETALS

Ambro Metals Ltd
PO Box 15599
New Lynn 0604
Auckland
New Zealand

TITLE / PART NUMBER:
Section 4 - C Flashings and Gutters
1 - At Expansion joint

www.ambrometals.com
Information contained in this drawing may not be reproduced or used for any purpose without express written permission from Ambro Metals Limited

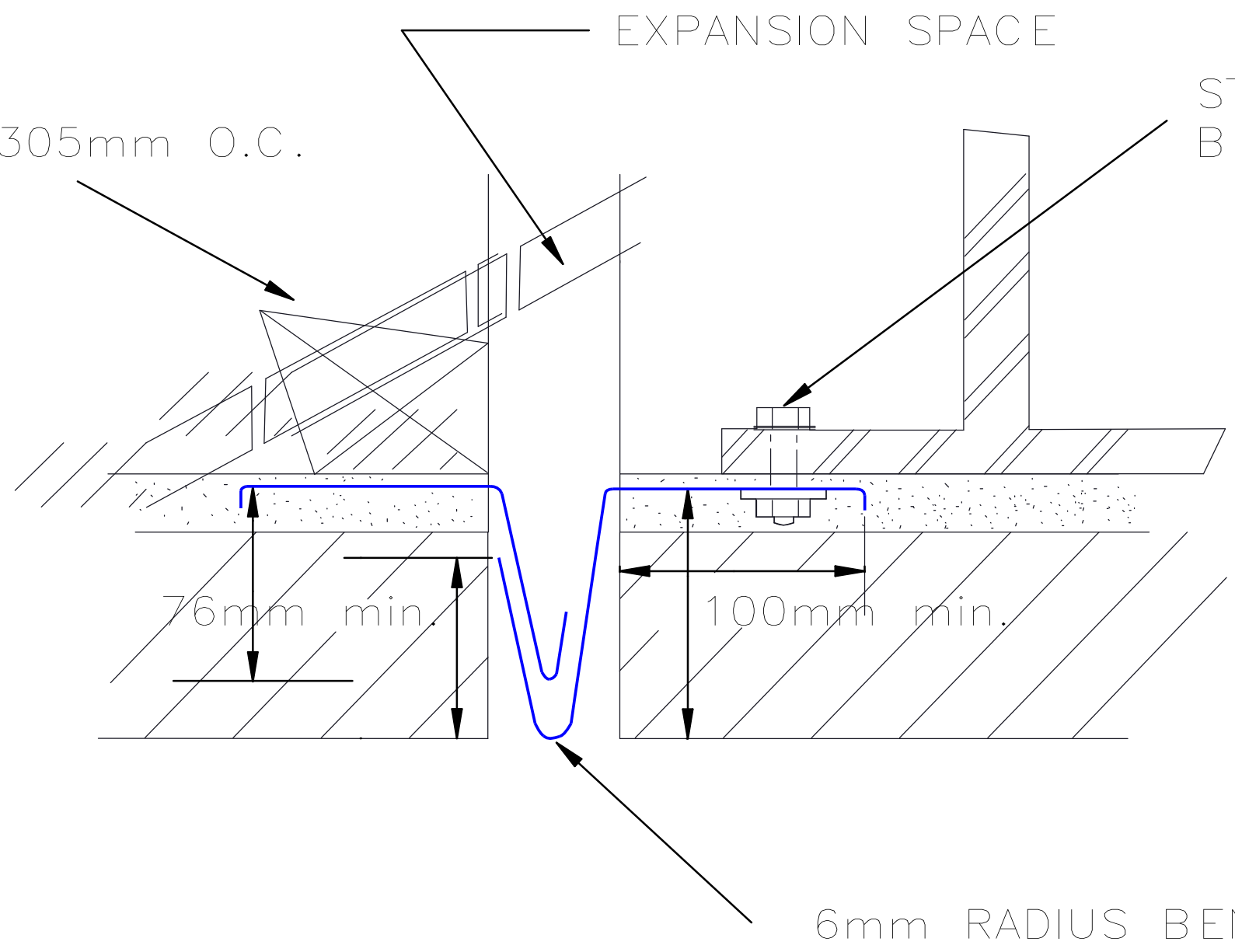
REVISION: A	SHEET: 1 of 1	SIZE: A3	DATE: 22/11/2013
-----------------------	------------------	--------------------	----------------------------



NAILING BLOCKS 305mm O.C.

EXPANSION SPACE

STAINLESS STEEL BOLTS 610mm O.C.



6mm RADIUS BEND

05EJ18 SECTION G-G

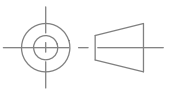
AMBROMETALS

Ambro Metals Ltd
PO Box 15599
New Lynn 0604
Auckland
New Zealand

www.ambrometals.com
Copyright © 2013 Ambro Metals Ltd
Information contained in this drawing may not be reproduced or used for any purpose without express written permission from Ambro Metals Limited

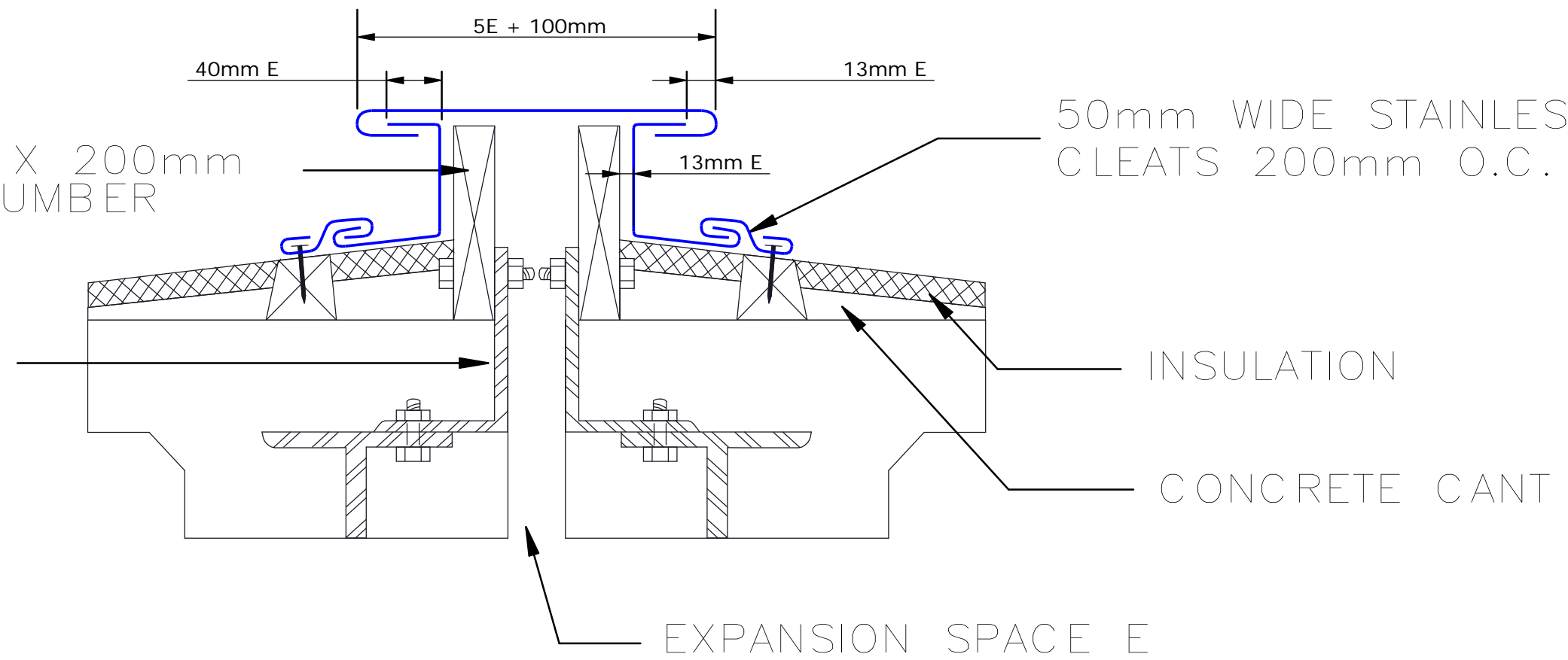
TITLE / PART NUMBER:
Section 4 - D Building Expansion Joints
Section G-G

REVISION: A	SHEET: 1 of 1	SIZE: A3	DATE: 22/11/2013
-----------------------	-------------------------	--------------------	----------------------------



50mm X 200mm
TRTD LUMBER

CLIP ANGLES
150mm LONG
100mm O.C.



05EJ09 SECTION F-F

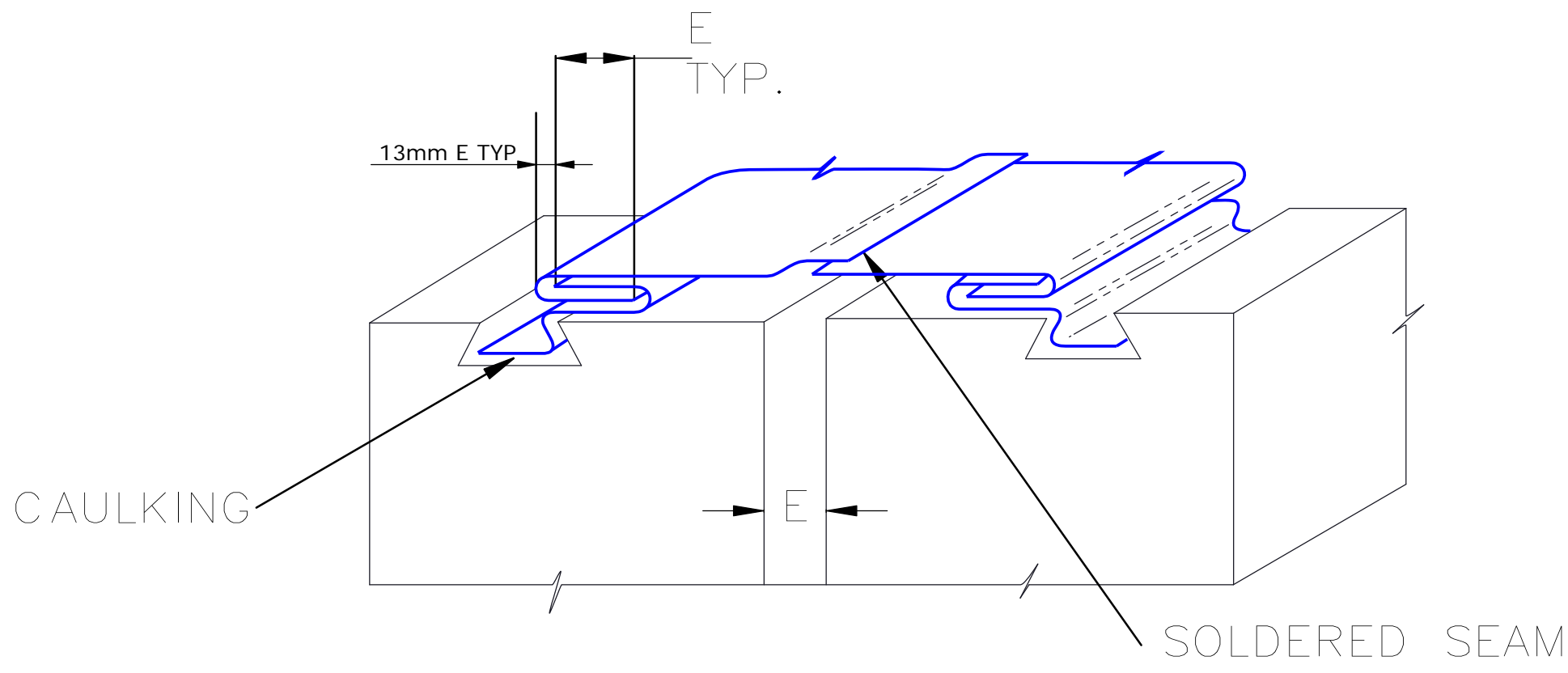
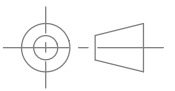
AMBROMETALS

Ambro Metals Ltd
PO Box 15599
New Lynn 0604
Auckland
New Zealand

www.ambrometals.com
Copyright © 2013 Ambro Metals Ltd
Information contained in this drawing may not be reproduced or used for any purpose without express written permission from Ambro Metals Limited

TITLE / PART NUMBER:
Section 4 - D Building Expansion Joints
Section F-F

REVISION: A	SHEET: 1 OF 1	SIZE: A3	DATE: 22/11/2013
-----------------------	-------------------------	--------------------	----------------------------



05EJ06 SECTION E-E

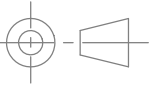
AMBROMETALS

Ambro Metals Ltd
PO Box 15599
New Lynn 0604
Auckland
New Zealand

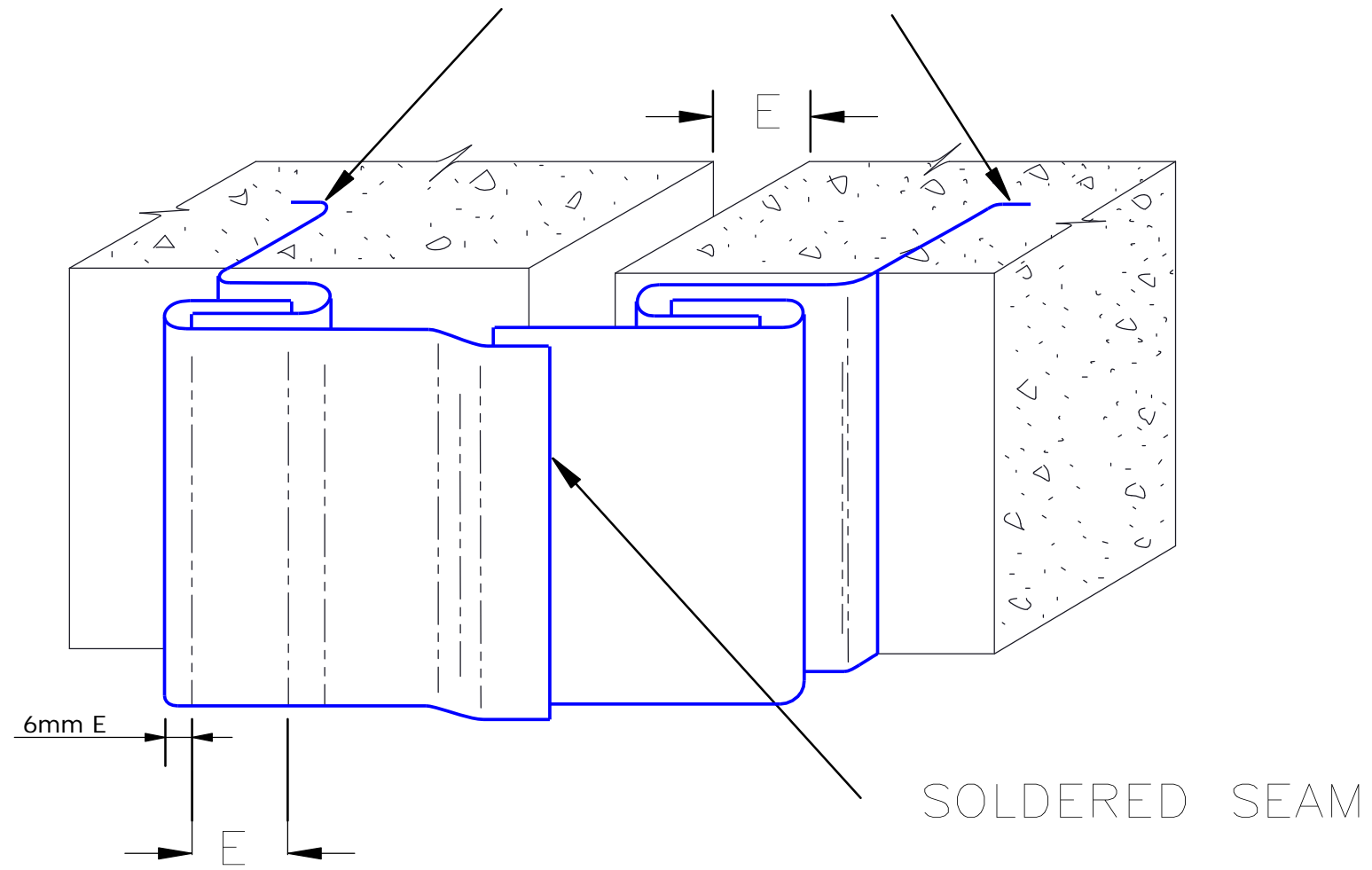
www.ambrometals.com
Copyright © 2013 Ambro Metals Ltd
Information contained in this drawing may not be reproduced or used for any purpose without express written permission from Ambro Metals Limited

TITLE / PART NUMBER:
Section 4 - D Building Expansion Joints
Section E-E

REVISION: A	SHEET: 1 of 1	SIZE: A3	DATE: 22/11/2013
-----------------------	-------------------------	--------------------	----------------------------



LOCKING STRIPS BUILT 100mm INTO MASONRY



05EJ05 SECTION D-D

AMBROMETALS

www.ambrometals.com

Information contained in this drawing may not be reproduced or used for any purpose without express written permission from Ambro Metals Limited

Ambro Metals Ltd
PO Box 15599
New Lynn 0604
Auckland
New Zealand

Copyright © 2013 Ambro Metals Ltd

TITLE / PART NUMBER:

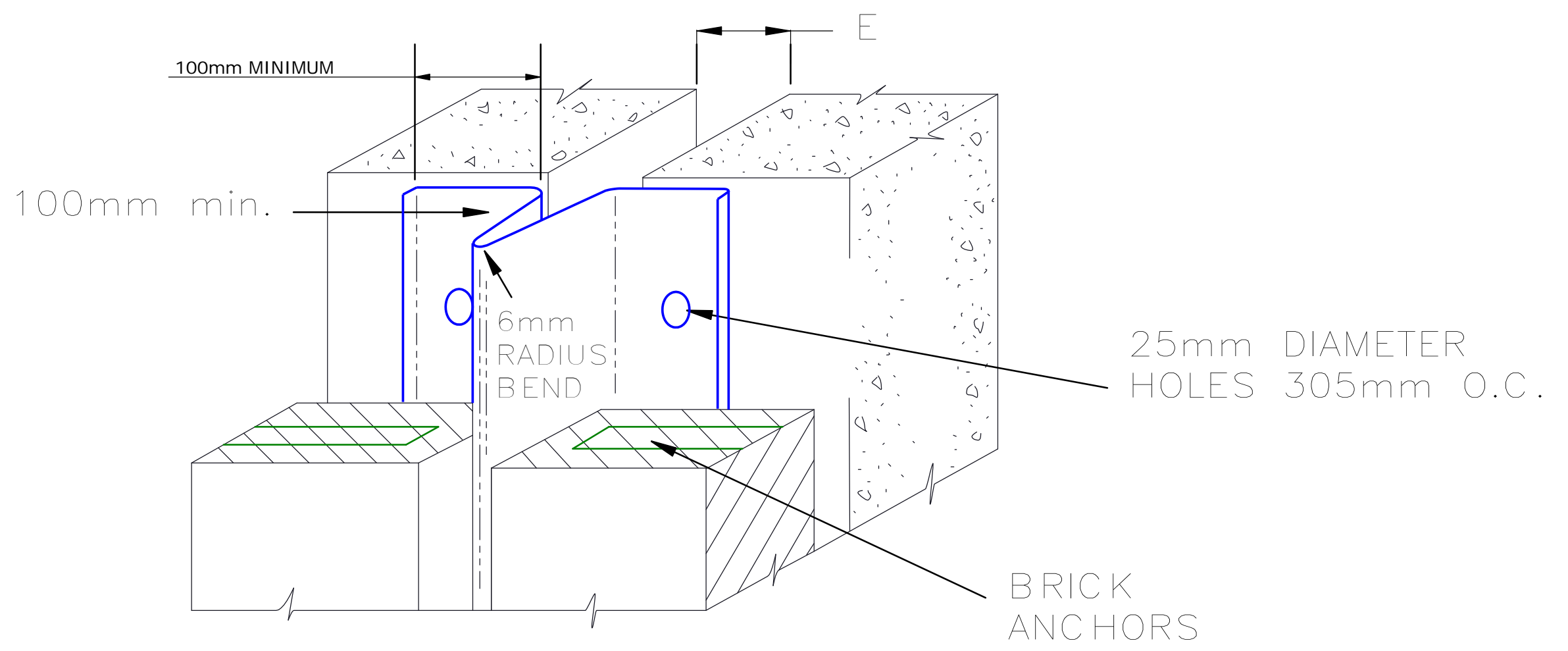
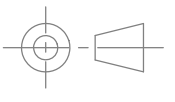
Section 4 - D Building Expansion Joints
Section D-D

REVISION:
A

SHEET:
1 OF 1

SIZE:
A3

DATE:
22/11/2013



05EJ04 SECTION C - C

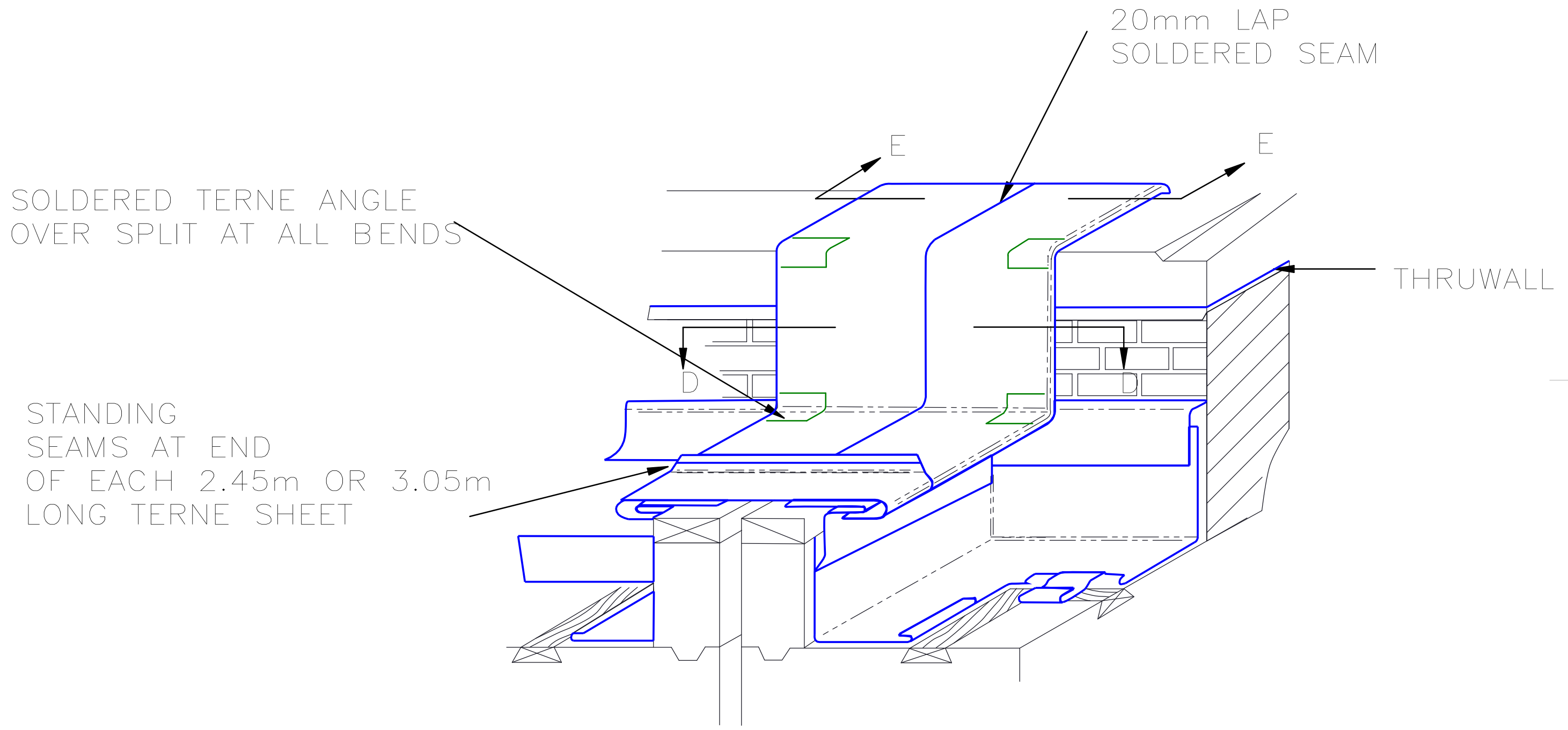
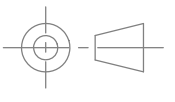
AMBROMETALS

Ambro Metals Ltd
 PO Box 15599
 New Lynn 0604
 Auckland
 New Zealand

www.ambrometals.com
 Copyright © 2013 Ambro Metals Ltd
 Information contained in this drawing may not be reproduced or used for any purpose without express written permission from Ambro Metals Limited

TITLE / PART NUMBER:
Section 4 - D Building Expansion Joints
 Section C-C

REVISION: A	SHEET: 1 OF 1	SIZE: A3	DATE: 22/11/2013
-----------------------	-------------------------	--------------------	----------------------------



SOLDERED TERNE ANGLE
OVER SPLIT AT ALL BENDS

STANDING
SEAMS AT END
OF EACH 2.45m OR 3.05m
LONG TERNE SHEET

20mm LAP
SOLDERED SEAM

THRUWALL

05EJ03 SECTION B-B

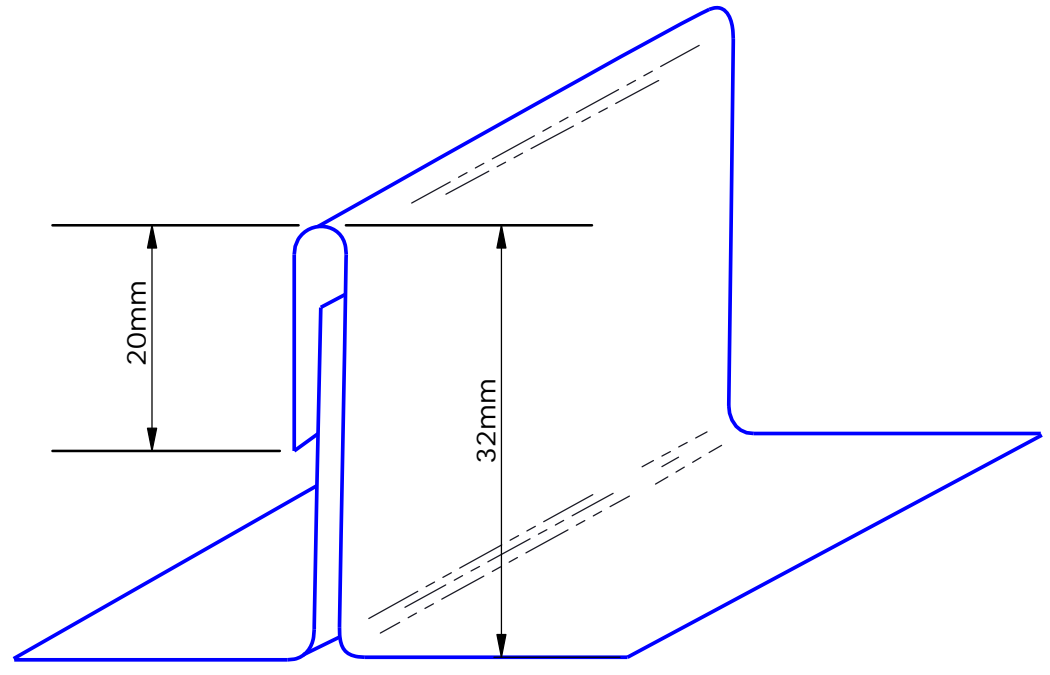
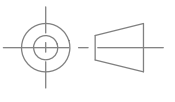
AMBROMETALS

Ambro Metals Ltd
PO Box 15599
New Lynn 0604
Auckland
New Zealand

www.ambrometals.com
Copyright © 2013 Ambro Metals Ltd
Information contained in this drawing may not be reproduced or used for any purpose without express written permission from Ambro Metals Limited

TITLE / PART NUMBER:
Section 4 - D Building Expansion Joints
Section B-B

REVISION: A	SHEET: 1 OF 1	SIZE: A3	DATE: 22/11/2013
-----------------------	-------------------------	--------------------	----------------------------



05EJ02 SECTION A-A

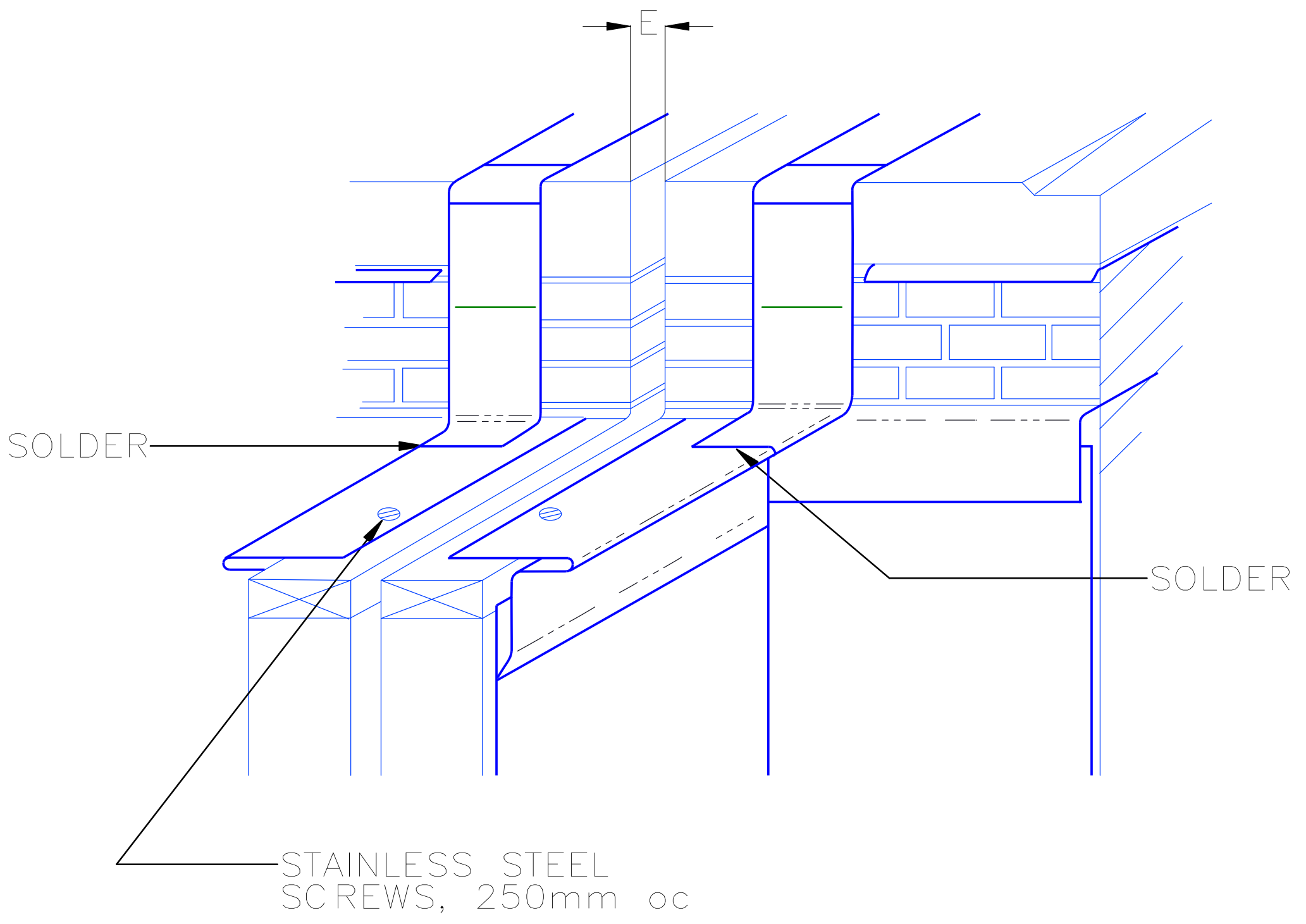
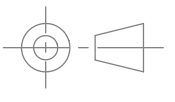
AMBROMETALS

Ambro Metals Ltd
PO Box 15599
New Lynn 0604
Auckland
New Zealand

www.ambrometals.com
Copyright © 2013 Ambro Metals Ltd
Information contained in this drawing may not be reproduced or used for any purpose without express written permission from Ambro Metals Limited

TITLE / PART NUMBER:
Section 4 - D Building Expansion Joints
Section A-A

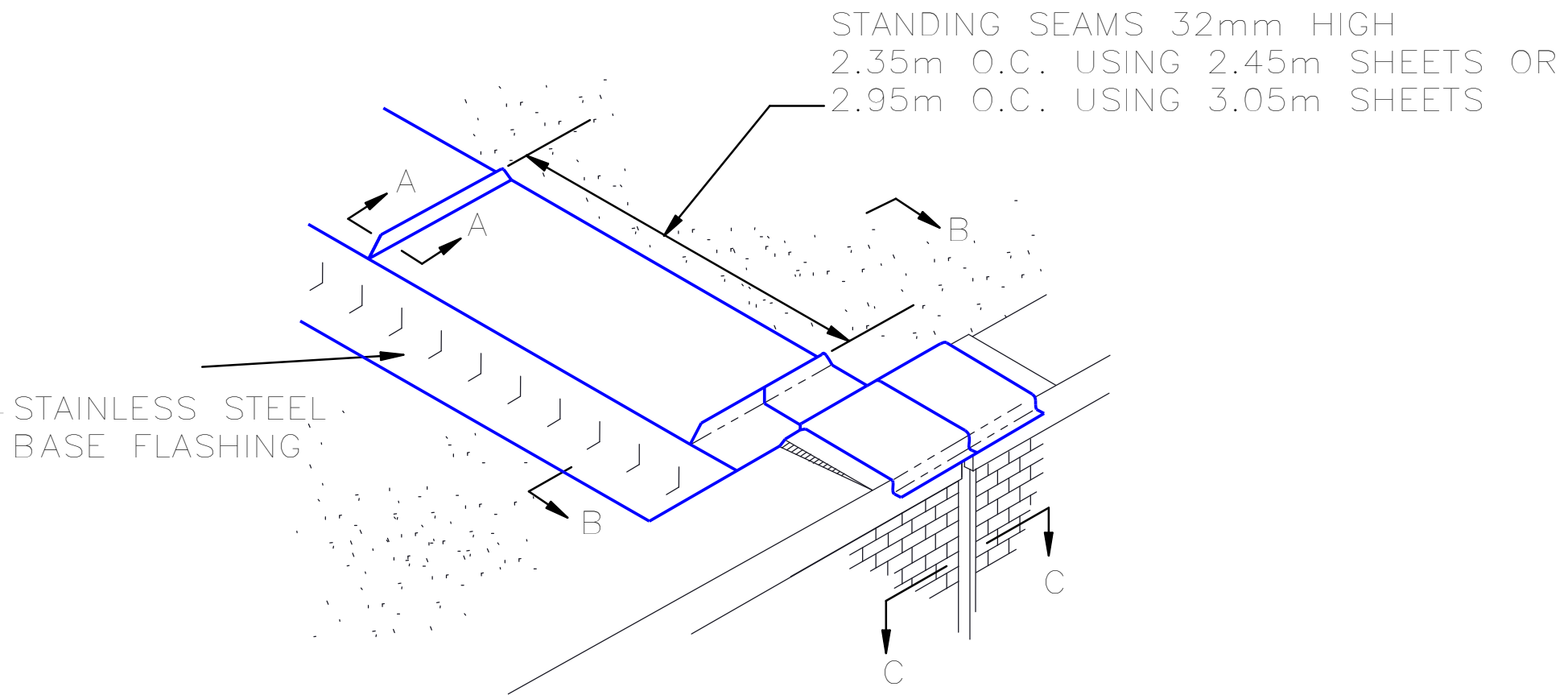
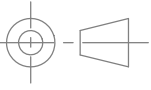
REVISION: A	SHEET: 1 of 1	SIZE: A3	DATE: 22/11/2013
-----------------------	-------------------------	--------------------	----------------------------



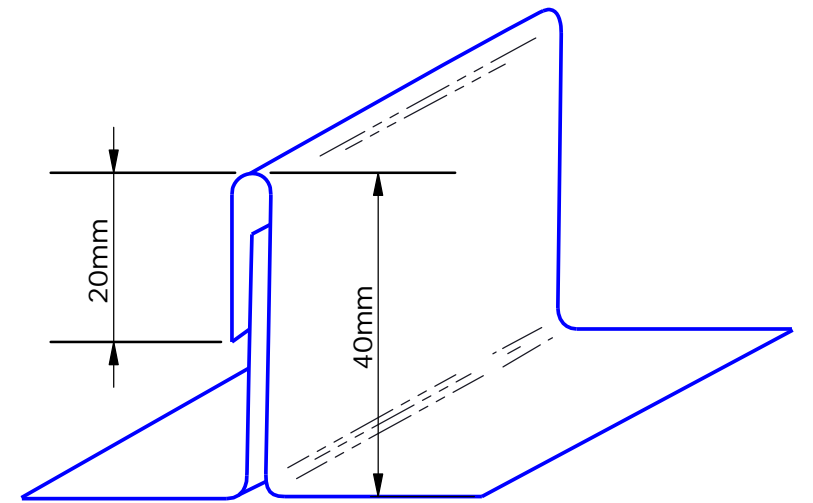
05EJ07 PARAPET WALLS— LOCKING STRIP DETAIL

 <p>Ambro Metals Ltd PO Box 15599 New Lynn 0604 Auckland New Zealand www.ambrometals.com</p>	<p>TITLE / PART NUMBER: Section 4 - D Building Expansion Joints Parapet Walls Locking Strip Details</p>		
	<p>REVISION: A</p>	<p>SHEET: 1 of 1</p>	<p>SIZE: A3</p>

Copyright © 2013 Ambro Metals Ltd
Information contained in this drawing may not be reproduced or used for any purpose without express written permission from Ambro Metals Limited



05EJ01 ON ROOFS WITH PARAPET WALL



05EJ02 SECTION A-A

AMBROMETALS

www.ambrometals.com

Information contained in this drawing may not be reproduced or used for any purpose without express written permission from Ambro Metals Limited

Ambro Metals Ltd
PO Box 15599
New Lynn 0604
Auckland
New Zealand

Copyright © 2013 Ambro Metals Ltd

TITLE / PART NUMBER:

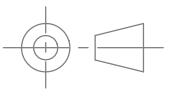
Section 4 - D Building Expansion Joints
On Flat Roofs with Parapet Walls

REVISION:
A

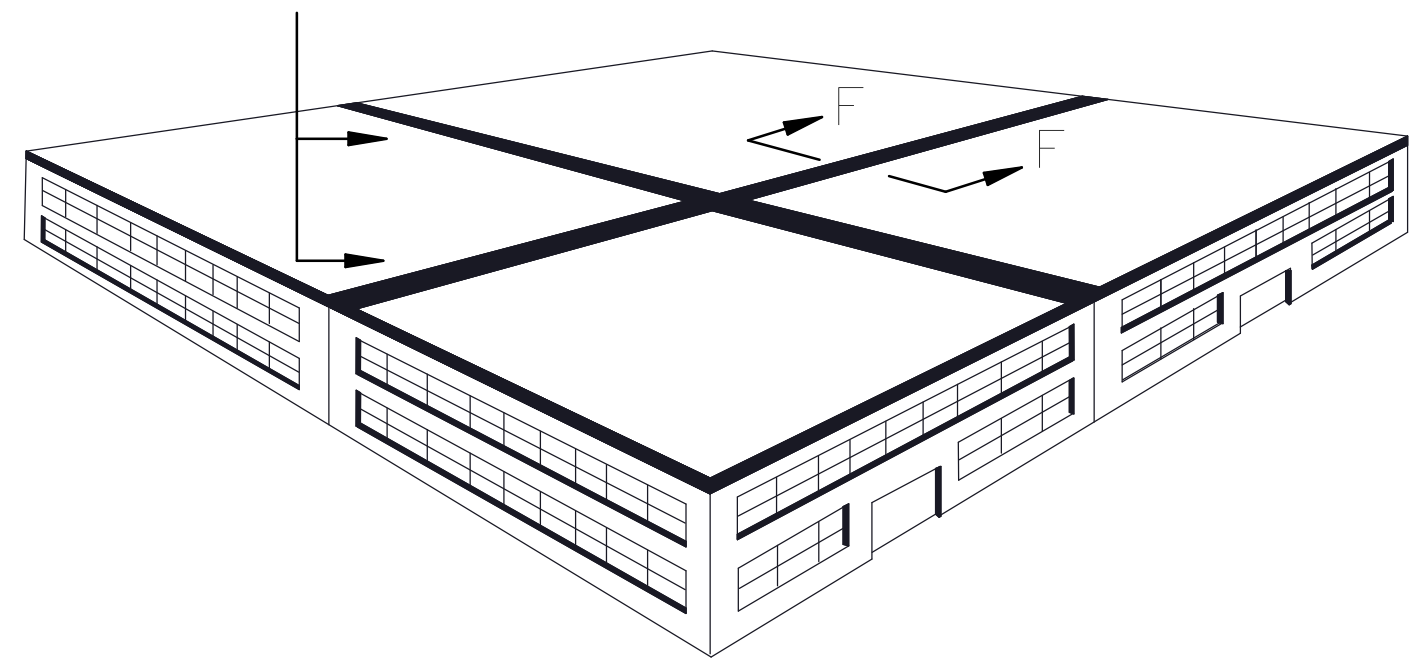
SHEET:
1 OF 1

SIZE:
A3

DATE:
22/11/2013



BUILDING EXPANSION JOINT



03EJ08 ON FLAT ROOFS WITH FASCIA

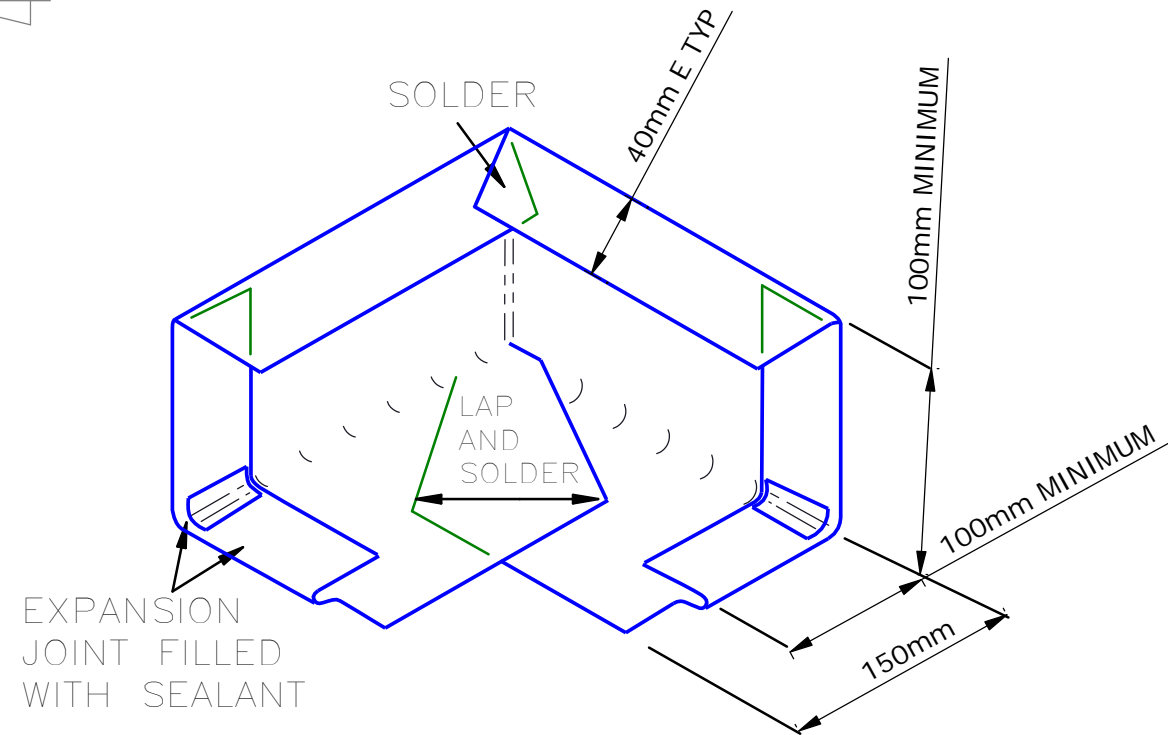
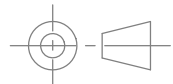
AMBROMETALS

Ambro Metals Ltd
PO Box 15599
New Lynn 0604
Auckland
New Zealand

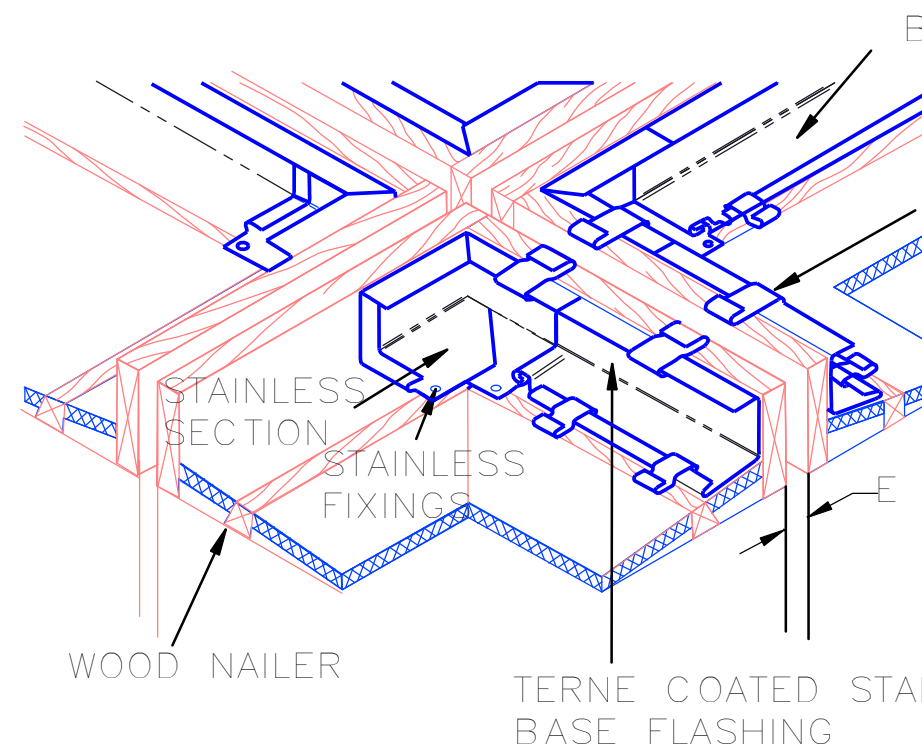
www.ambrometals.com
Copyright © 2013 Ambro Metals Ltd
Information contained in this drawing may not be reproduced or used for any purpose without express written permission from Ambro Metals Limited

TITLE / PART NUMBER:
Section 4 - D Building Expansion Joints
On Flat Roofs with Fascia

REVISION: A	SHEET: 1 of 1	SIZE: A3	DATE: 22/11/2013
-----------------------	-------------------------	--------------------	----------------------------



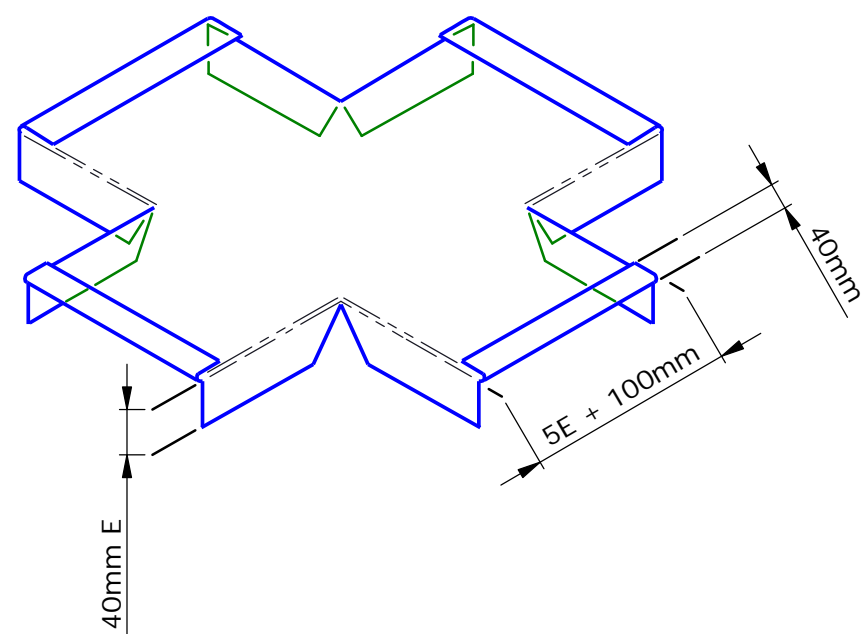
05EJ10 CORNER



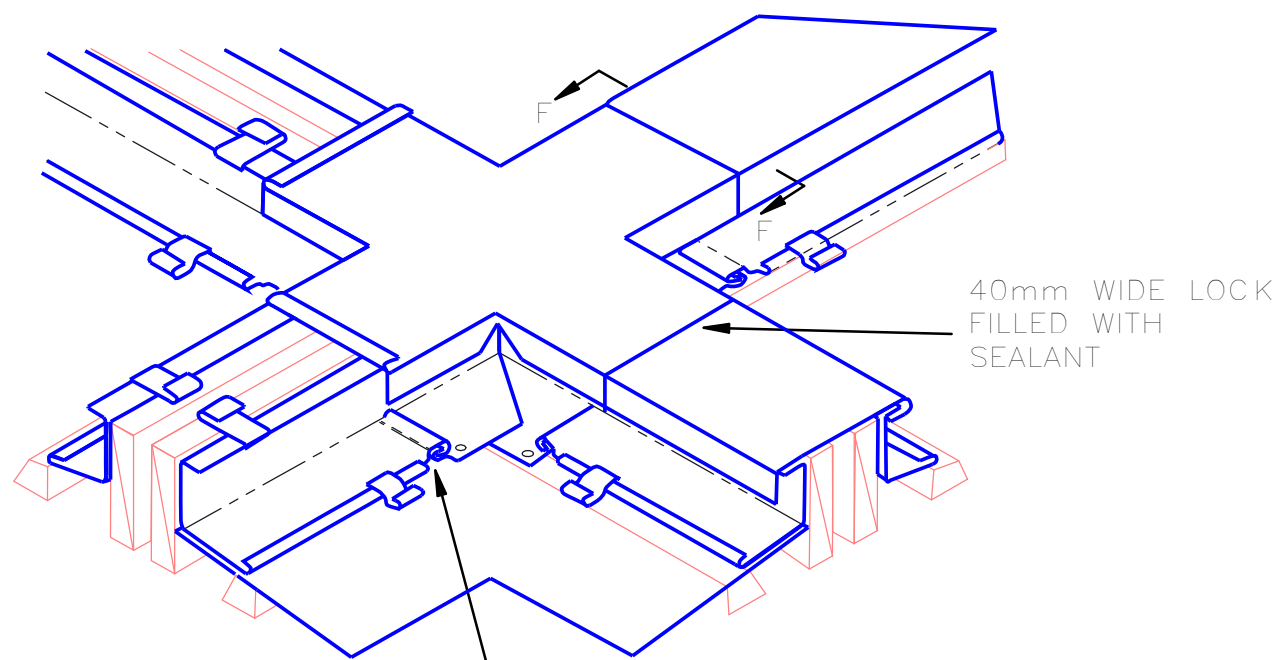
05EJ11 INTERSECTION WITHOUT CAP

BASE FLASHING EXPANSION JOINT

50mm WIDE
STAINLESS STEEL
CLEATS
610mm O.C.



05EJ13 CROSS CAP



EXPANSION JOINT
FILLED WITH SEALANT

05EJ12 INTERSECTION WITH CAP

Ambro Metals Ltd
PO Box 15599
New Lynn 0604
Auckland
New Zealand

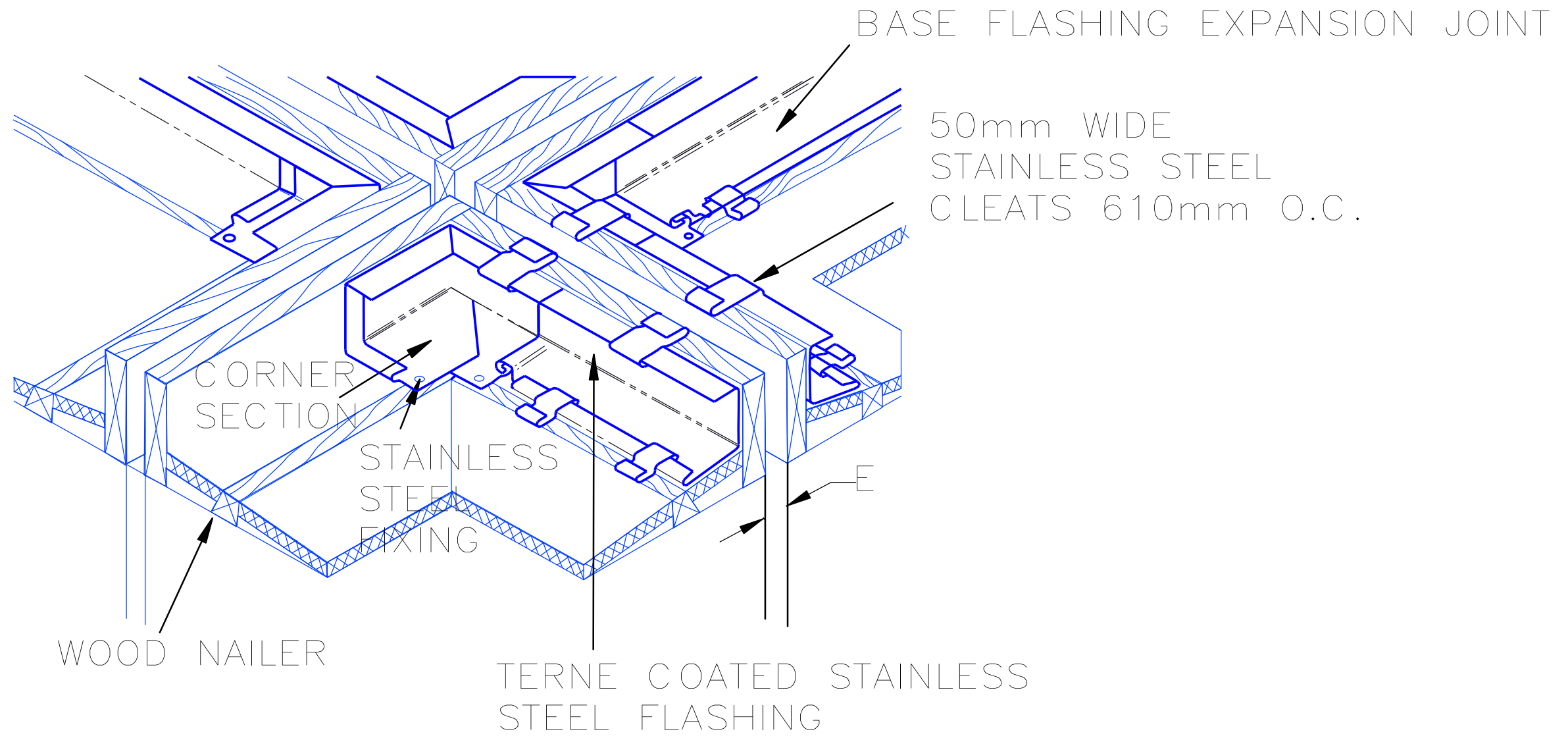
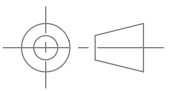
AMBROMETALS

www.ambrometals.com

Copyright © 2013 Ambro Metals Ltd
Information contained in this drawing may not be reproduced or used for any purpose without express written permission from Ambro Metals Limited

TITLE / PART NUMBER:
**Section 4 - D Building Expansion Joints
Intersection**

REVISION: A	SHEET: 1 OF 1	SIZE: A3	DATE: 22/11/2013
-----------------------	-------------------------	--------------------	----------------------------



05EJ11 INTERSECTION WITHOUT CAP

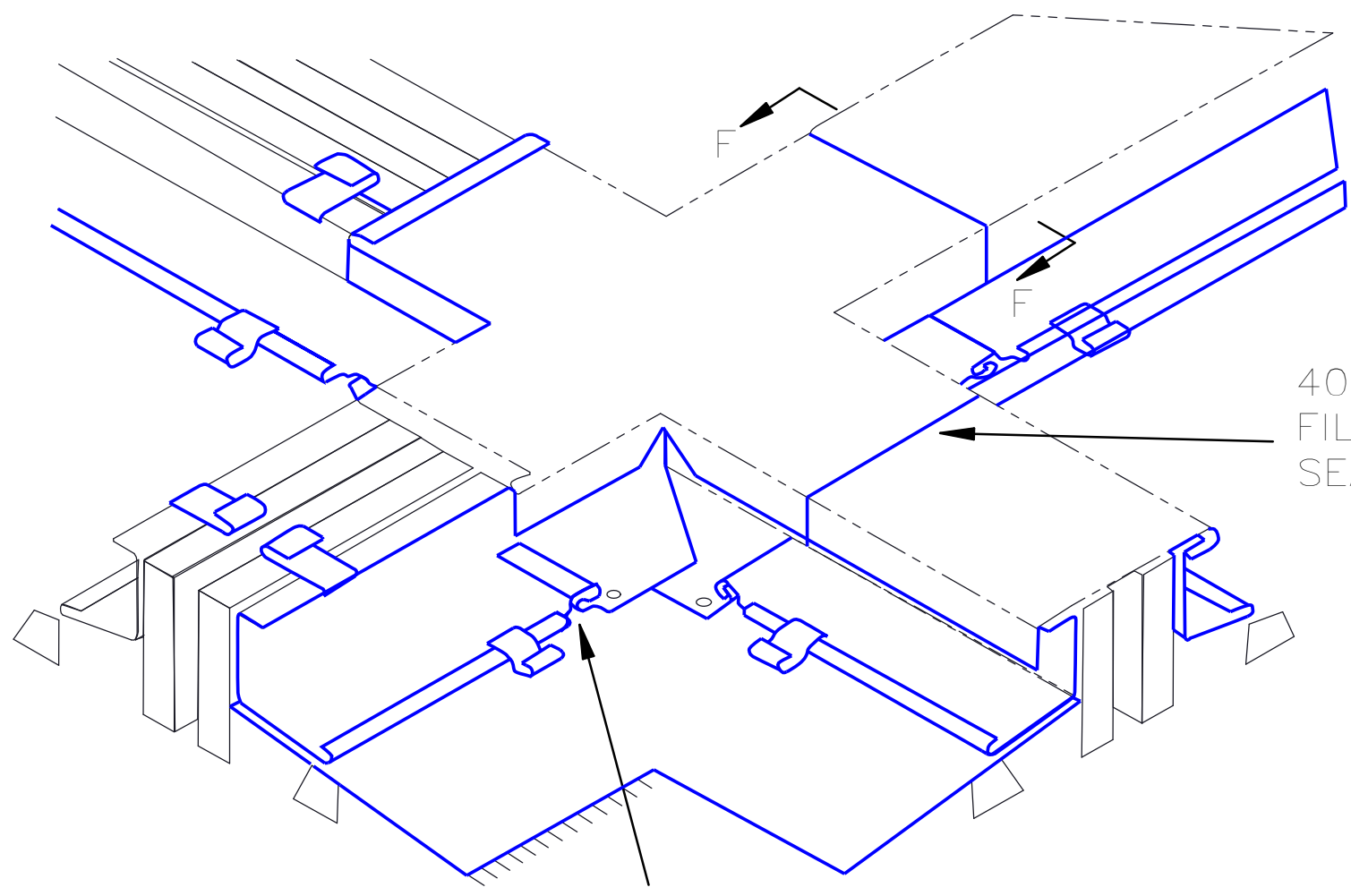
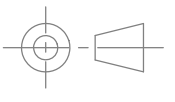


Ambro Metals Ltd
 PO Box 15599
 New Lynn 0604
 Auckland
 New Zealand

www.ambrometals.com
 Copyright © 2013 Ambro Metals Ltd
 Information contained in this drawing may not be reproduced or used for any purpose without express written permission from Ambro Metals Limited

TITLE / PART NUMBER:
Section 4 - D Building Expansion Joints
 Intersection without Cap

REVISION: A	SHEET: 1 of 1	SIZE: A3	DATE: 22/11/2013
-----------------------	-------------------------	--------------------	----------------------------



40mm WIDE LOCK
FILLED WITH
SEALANT

EXPANSION JOINT
FILLED WITH SEALANT

05EJ12 INTERSECTION WITH CAP



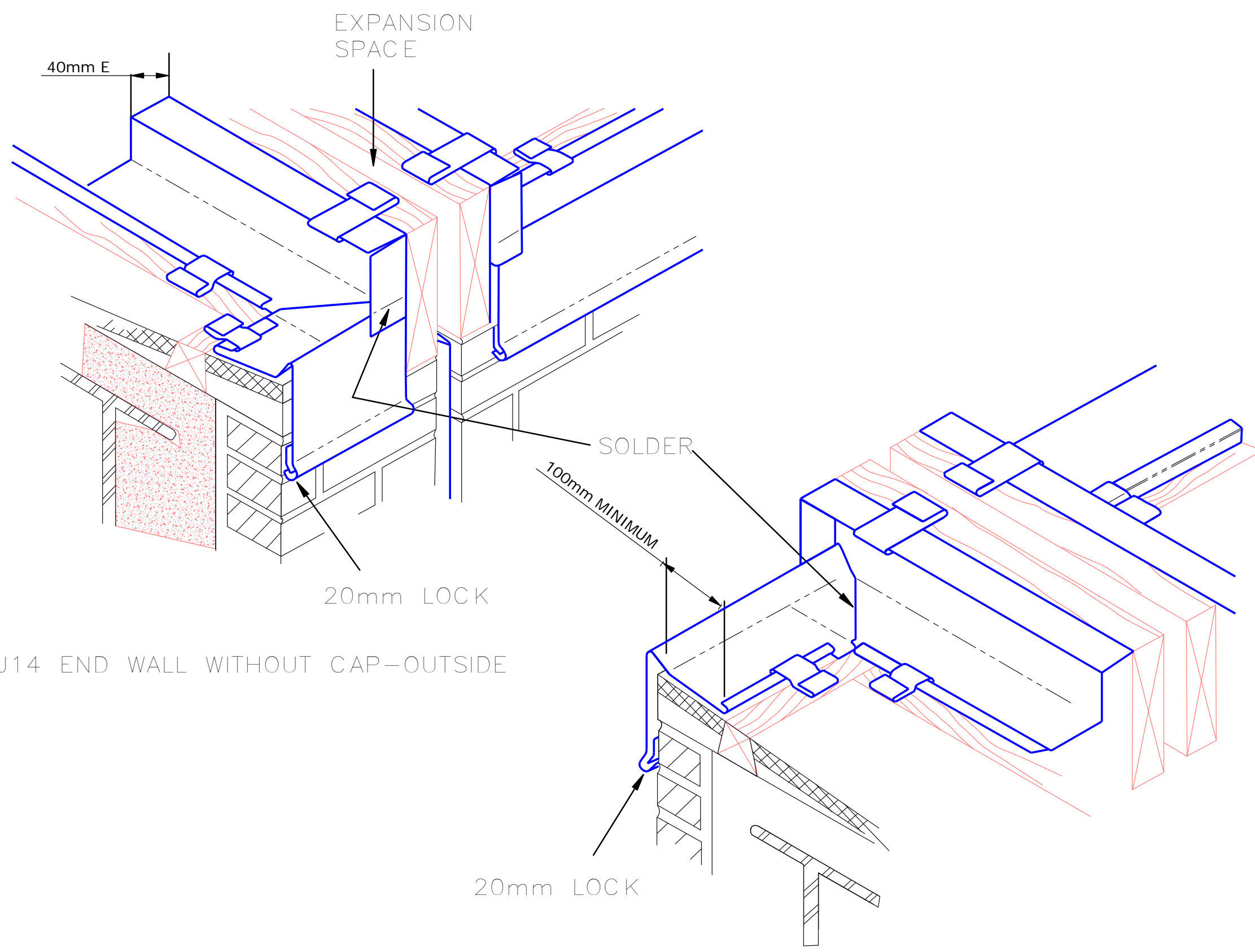
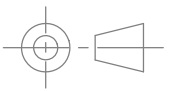
Ambro Metals Ltd
PO Box 15599
New Lynn 0604
Auckland
New Zealand

www.ambrometals.com
Information contained in this drawing may not be reproduced or used for any purpose without express written permission from Ambro Metals Limited

Copyright © 2013 Ambro Metals Ltd

TITLE / PART NUMBER:
Section 4 - D Building Expansion Joints
Intersection with Cap

REVISION: A	SHEET: 1 of 1	SIZE: A3	DATE: 22/11/2013
-----------------------	-------------------------	--------------------	----------------------------



05EJ14 END WALL WITHOUT CAP-OUTSIDE

05EJ15 END WALL WITHOUT CAP-INSIDE

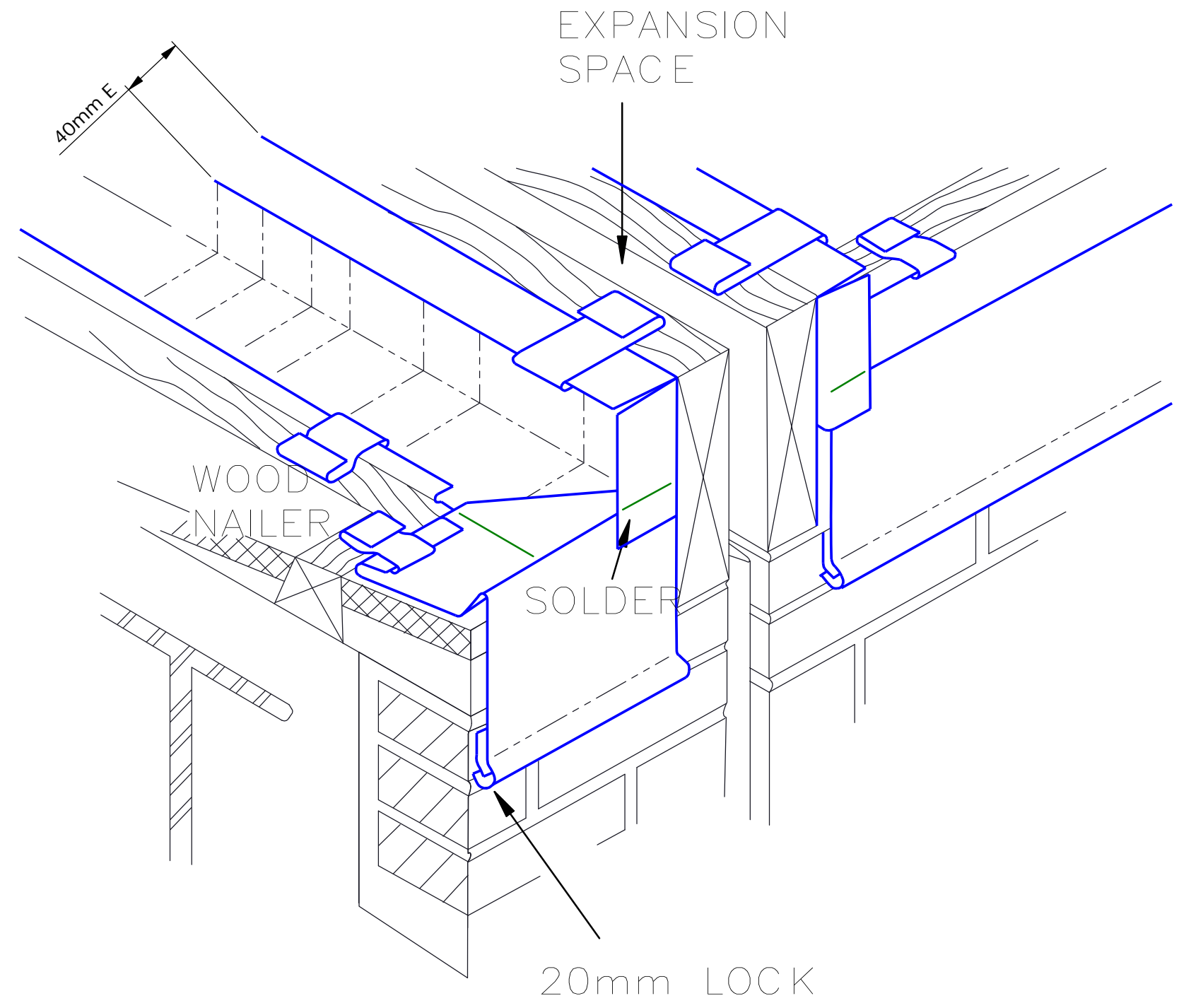
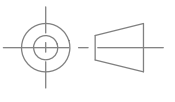
AMBROMETALS

Ambro Metals Ltd
 PO Box 15599
 New Lynn 0604
 Auckland
 New Zealand

www.ambrometals.com
 Copyright © 2013 Ambro Metals Ltd
 Information contained in this drawing may not be reproduced or used for any purpose without express written permission from Ambro Metals Limited

TITLE / PART NUMBER:
Section 4 - D Building Expansion Joints
 End Wall without Cap

REVISION: A	SHEET: 1 of 1	SIZE: A3	DATE: 22/11/2013
-----------------------	------------------	--------------------	----------------------------



05EJ14 END WALL WITHOUT CAP—OUTSIDE

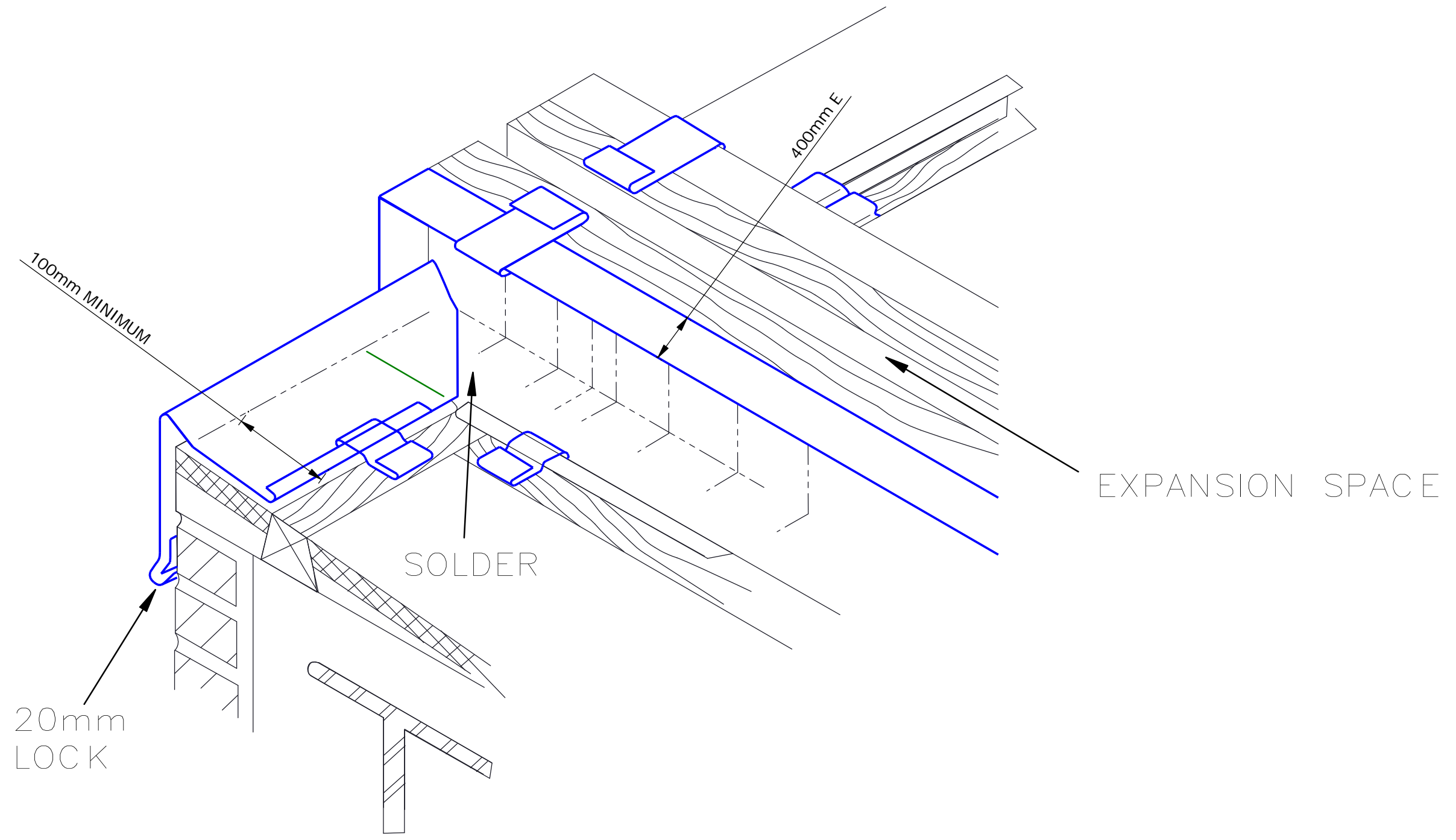
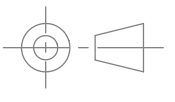


Ambro Metals Ltd
PO Box 15599
New Lynn 0604
Auckland
New Zealand

www.ambrometals.com
Copyright © 2013 Ambro Metals Ltd
Information contained in this drawing may not be reproduced or used for any purpose without express written permission from Ambro Metals Limited

TITLE / PART NUMBER:
Section 4 - D Building Expansion Joints
End Wall without Cap Outside

REVISION: A	SHEET: 1 of 1	SIZE: A3	DATE: 22/11/2013
-----------------------	-------------------------	--------------------	----------------------------



05EJ15 END WALL WITHOUT CAP-INSIDE

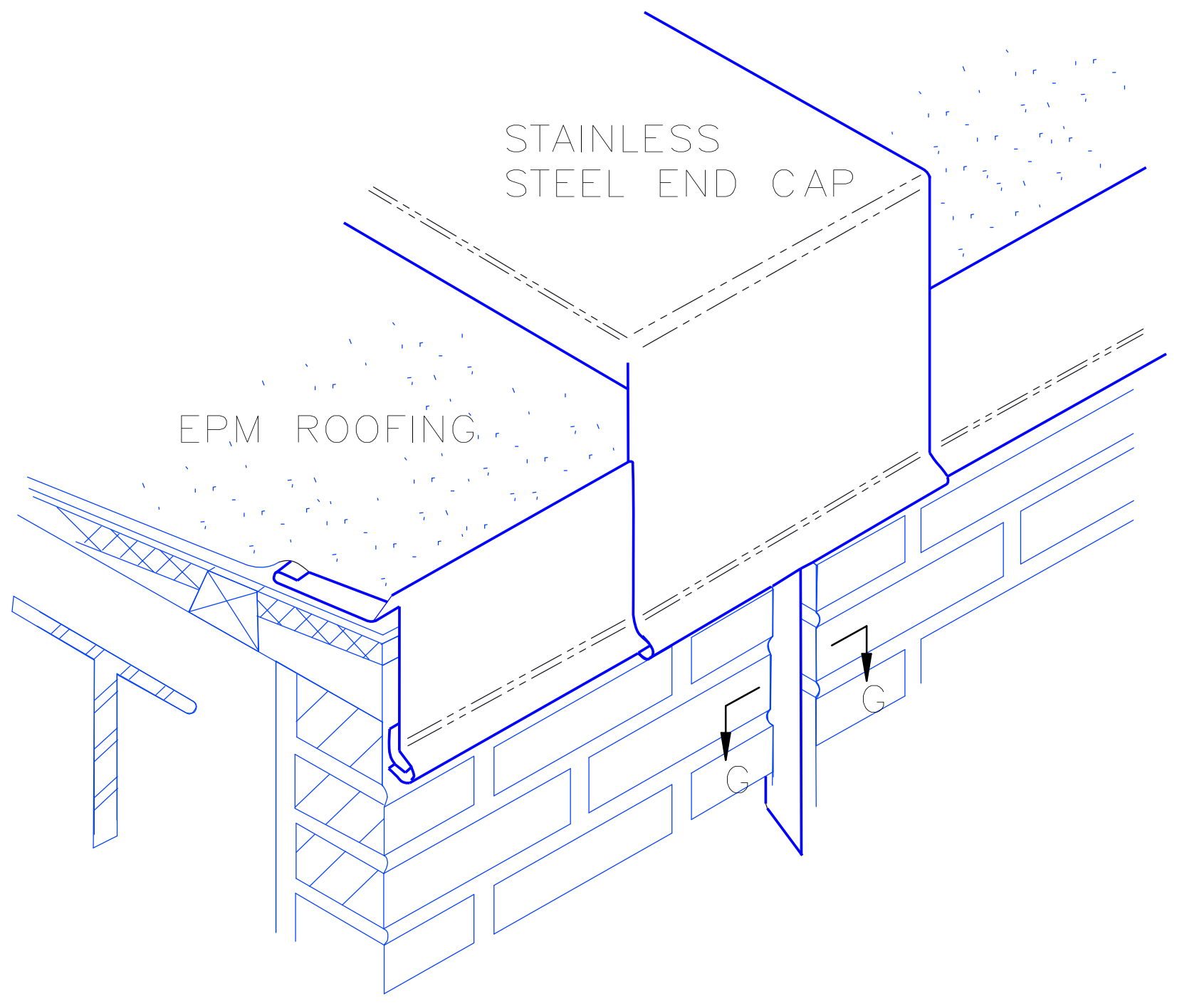
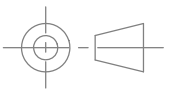
AMBROMETALS

Ambro Metals Ltd
 PO Box 15599
 New Lynn 0604
 Auckland
 New Zealand

www.ambrometals.com
 Copyright © 2013 Ambro Metals Ltd
 Information contained in this drawing may not be reproduced or used for any purpose without express written permission from Ambro Metals Limited

TITLE / PART NUMBER:
Section 4 - D Building Expansion Joints
 End Wall without Cap Inside

REVISION: A	SHEET: 1 of 1	SIZE: A3	DATE: 22/11/2013
-----------------------	-------------------------	--------------------	----------------------------



STAINLESS
STEEL END CAP

EPM ROOFING.

05EJ16 END WALL WITH CAP

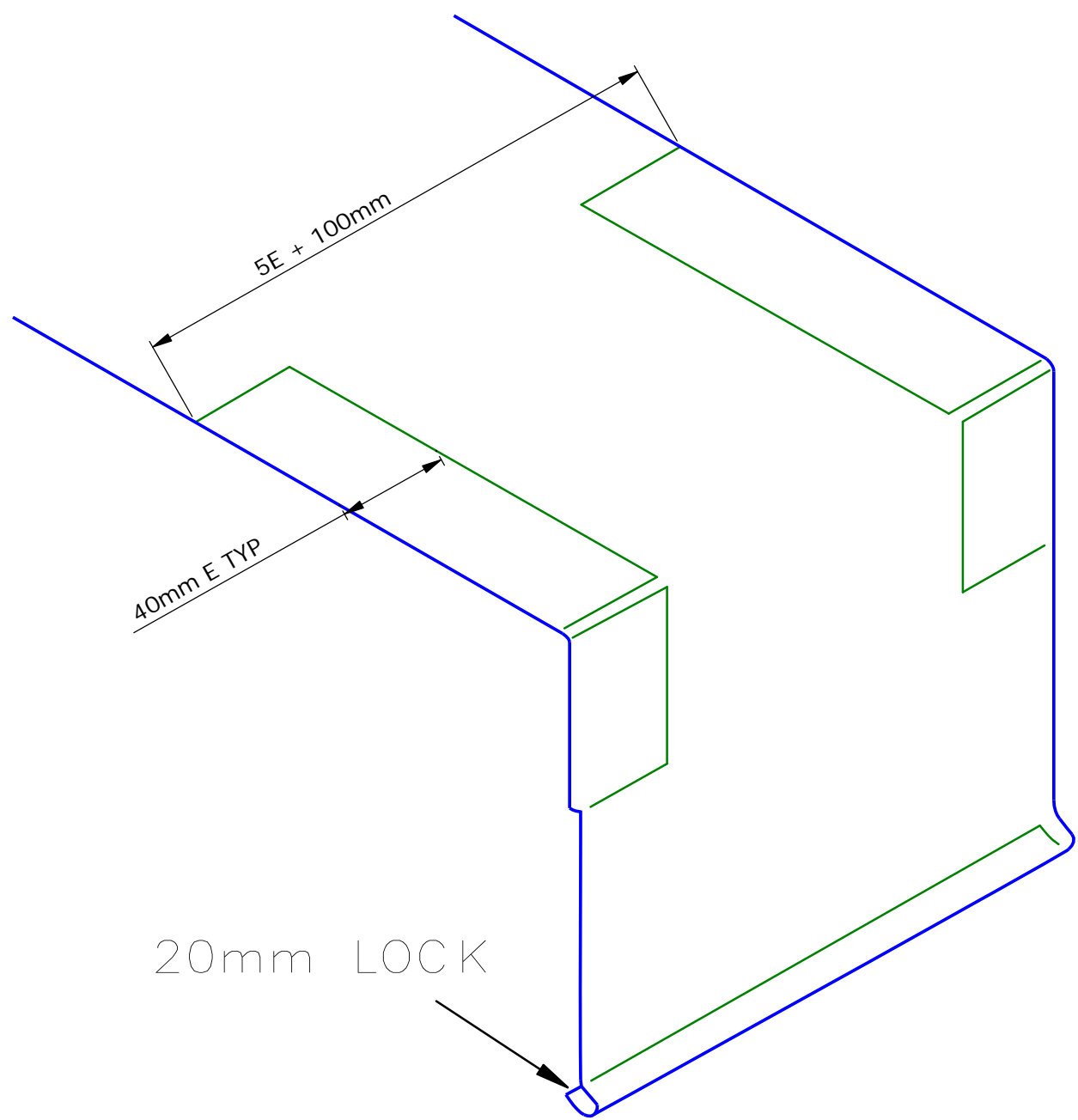
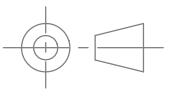
AMBROMETALS

Ambro Metals Ltd
PO Box 15599
New Lynn 0604
Auckland
New Zealand

www.ambrometals.com
Copyright © 2013 Ambro Metals Ltd
Information contained in this drawing may not be reproduced or used for any purpose without express written permission from Ambro Metals Limited

TITLE / PART NUMBER:
Section 4 - D Building Expansion Joints
End Wall with Cap

REVISION: A	SHEET: 1 of 1	SIZE: A3	DATE: 22/11/2013
-----------------------	-------------------------	--------------------	----------------------------



06EJ17 END CAP

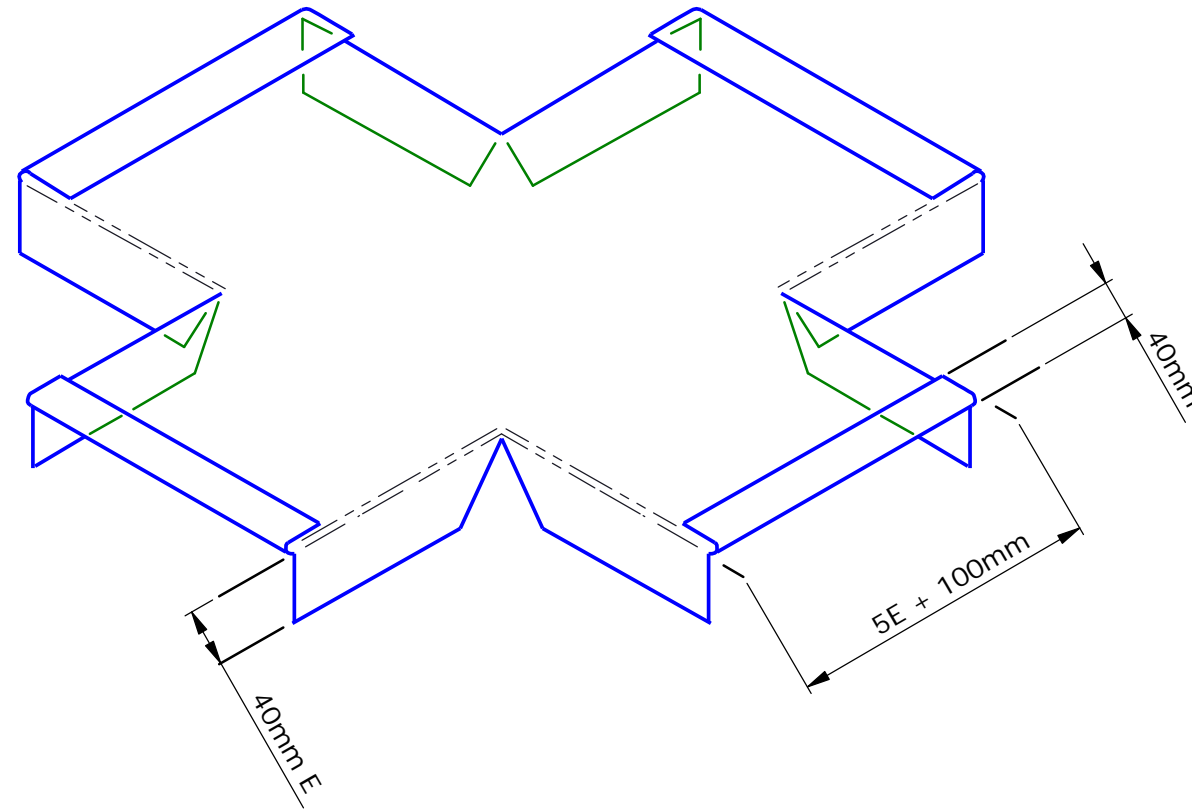
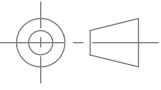


Ambro Metals Ltd
PO Box 15599
New Lynn 0604
Auckland
New Zealand

www.ambrometals.com
Copyright © 2013 Ambro Metals Ltd
Information contained in this drawing may not be reproduced or used for any purpose without express written permission from Ambro Metals Limited

TITLE / PART NUMBER:
Section 4 - D Building Expansion Joints
End Cap

REVISION: A	SHEET: 1 of 1	SIZE: A3	DATE: 22/11/2013
-----------------------	-------------------------	--------------------	----------------------------



05EJ13 CROSS CAP

AMBROMETALS

Ambro Metals Ltd
PO Box 15599
New Lynn 0604
Auckland
New Zealand

www.ambrometals.com

Copyright © 2013 Ambro Metals Ltd
Information contained in this drawing may not be reproduced or used for any purpose without express written permission from Ambro Metals Limited

TITLE / PART NUMBER:

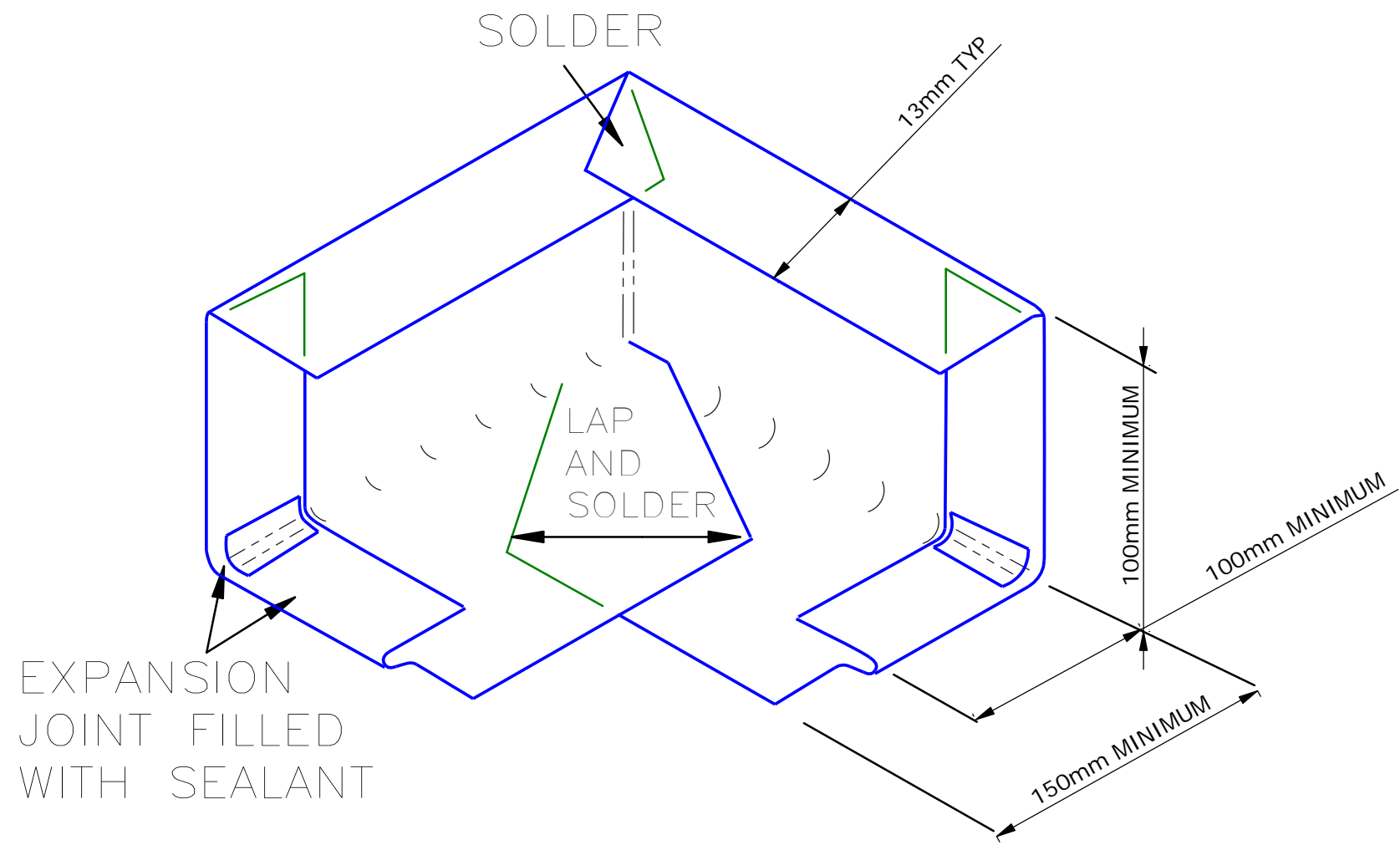
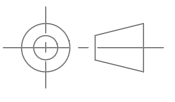
Section 4 - D Building Expansion Joints
Cross Cap

REVISION:
A

SHEET:
1 of 1

SIZE:
A3

DATE:
22/11/2013



05EJ10 CORNER



Ambro Metals Ltd
PO Box 15599
New Lynn 0604
Auckland
New Zealand

www.ambrometals.com
Copyright © 2013 Ambro Metals Ltd
Information contained in this drawing may not be reproduced or used for any purpose without express written permission from Ambro Metals Limited

TITLE / PART NUMBER:
Section 4 - D Building Expansion Joints
Corner Cap

REVISION: A	SHEET: 1 of 1	SIZE: A3	DATE: 22/11/2013
-----------------------	-------------------------	--------------------	----------------------------