

02SS15-A AT EAVES-ALTERNATE

AMBROMETALS

www.ambrometals.com

Information contained in this drawing may not be reproduced or used for any purpose without express written permission from Ambro Metals Limited

Ambro Metals Ltd
PO Box 15599
New Lynn 0604
Auckland
New Zealand

Copyright © 2013 Ambro Metals Ltd

TITLE / PART NUMBER:

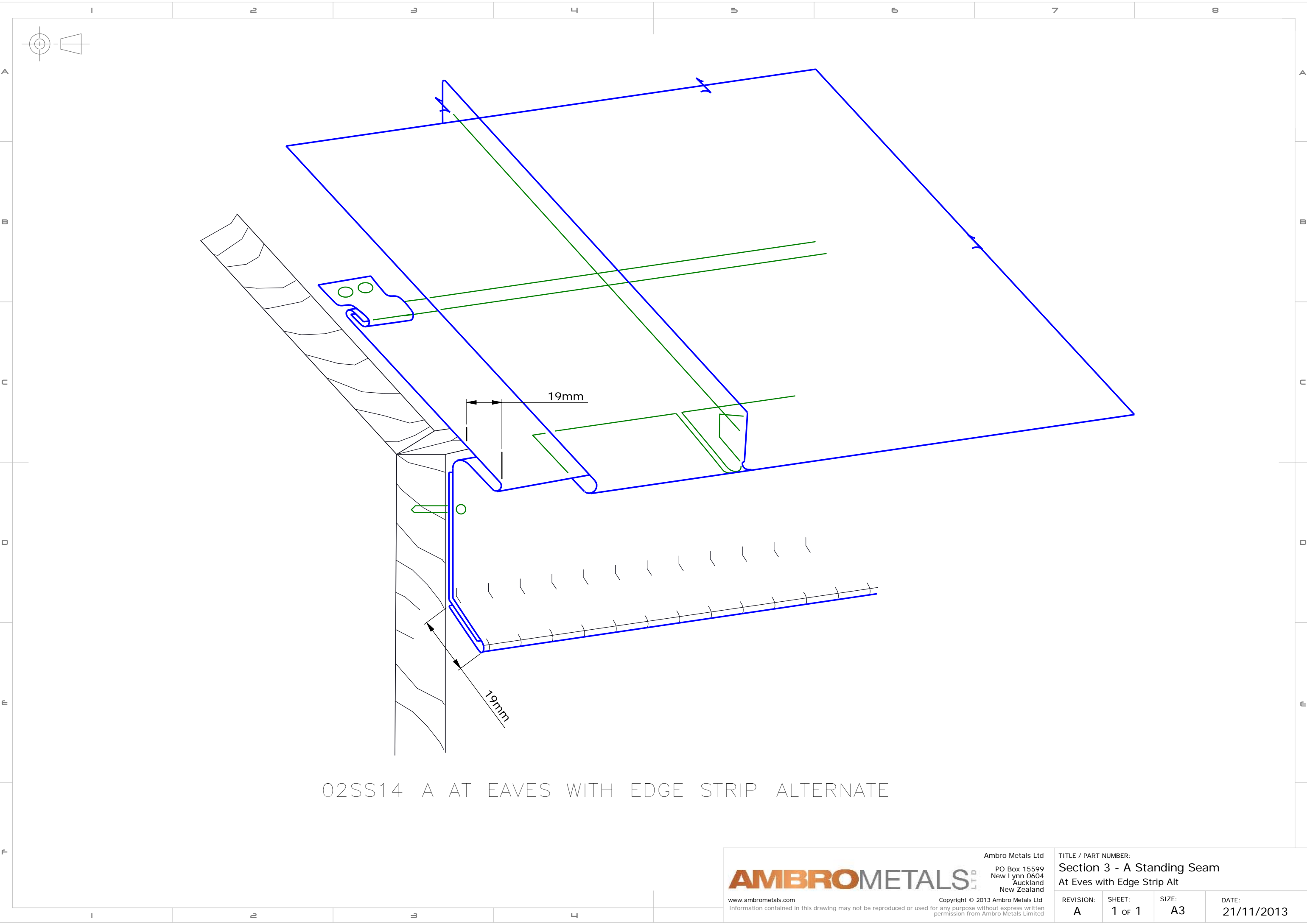
Section 3 - A Standing Seam
At Eaves Alt

REVISION:
A

SHEET:
1 of 1

SIZE:
A3

DATE:
21/11/2013



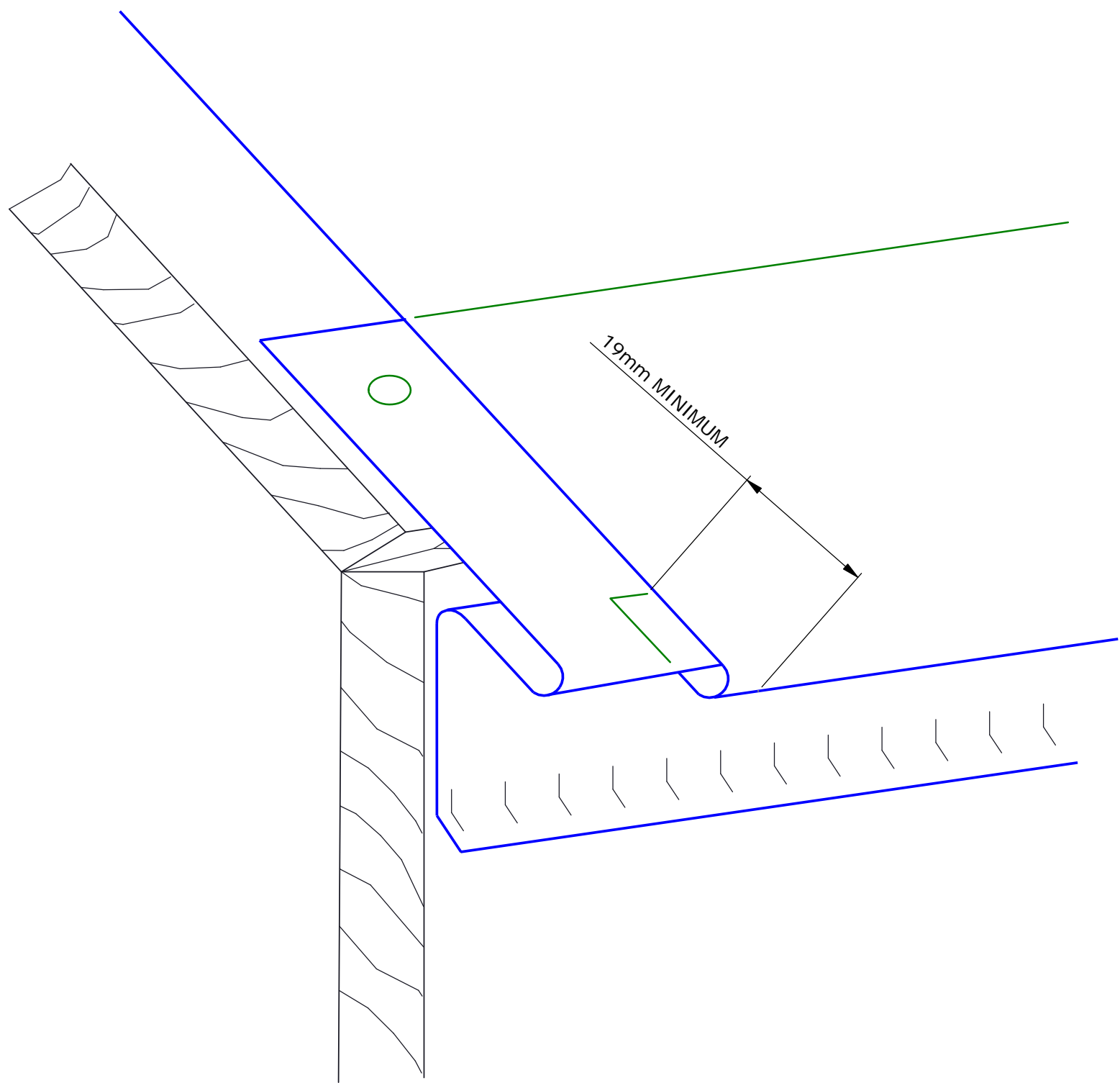
02SS14-A AT EAVES WITH EDGE STRIP-ALTERNATE

AMBROMETALS

Ambro Metals Ltd
 PO Box 15599
 New Lynn 0604
 Auckland
 New Zealand

www.ambrometals.com
 Copyright © 2013 Ambro Metals Ltd
 Information contained in this drawing may not be reproduced or used for any purpose without express written permission from Ambro Metals Limited

TITLE / PART NUMBER: Section 3 - A Standing Seam At Eaves with Edge Strip Alt			
REVISION: A	SHEET: 1 of 1	SIZE: A3	DATE: 21/11/2013



02SS14 AT EAVES WITH EDGE STRIP

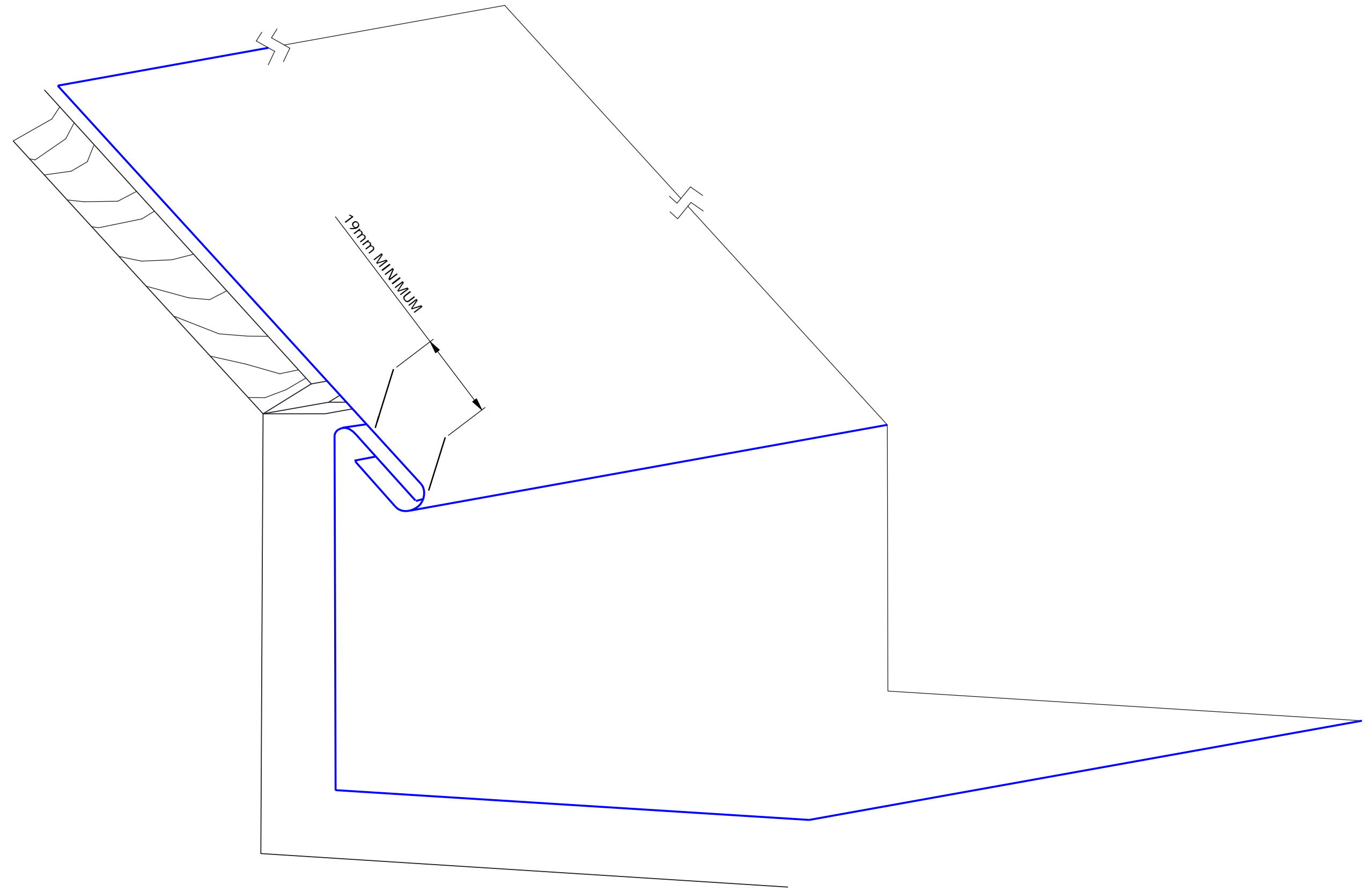
AMBROMETALS

Ambro Metals Ltd
PO Box 15599
New Lynn 0604
Auckland
New Zealand

www.ambrometals.com
Copyright © 2013 Ambro Metals Ltd
Information contained in this drawing may not be reproduced or used for any purpose without express written permission from Ambro Metals Limited

TITLE / PART NUMBER:
Section 3 - A Standing Seam
At Eaves with Edge Strip

REVISION: A	SHEET: 1 of 1	SIZE: A3	DATE: 21/11/2013
-----------------------	-------------------------	--------------------	----------------------------



02SS15 AT EAVES

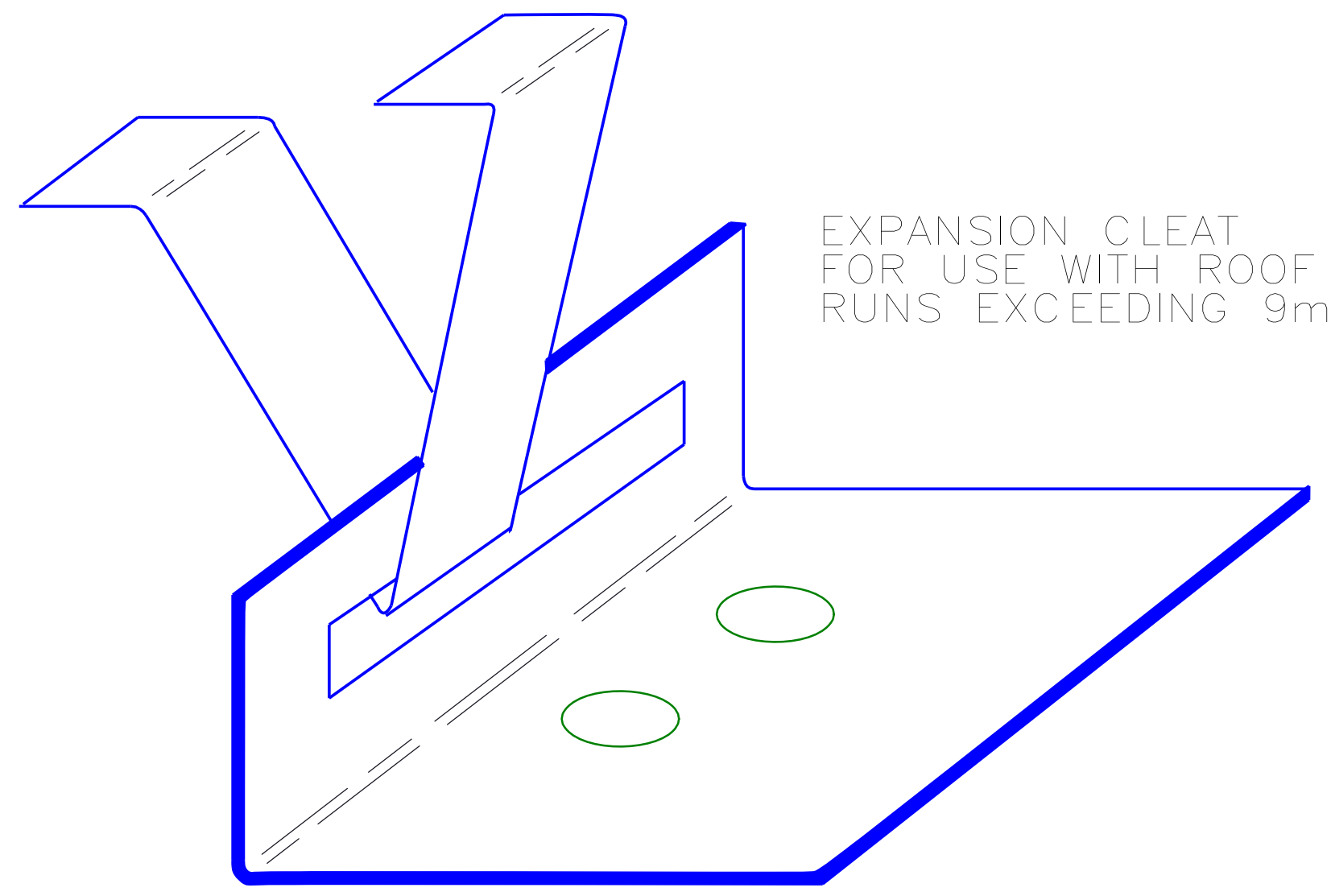
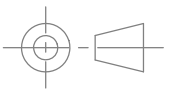
AMBROMETALS

Ambro Metals Ltd
 PO Box 15599
 New Lynn 0604
 Auckland
 New Zealand

www.ambrometals.com
 Copyright © 2013 Ambro Metals Ltd
 Information contained in this drawing may not be reproduced or used for any purpose without express written permission from Ambro Metals Limited

TITLE / PART NUMBER:
Section 3 - A Standing Seam
 At Eaves

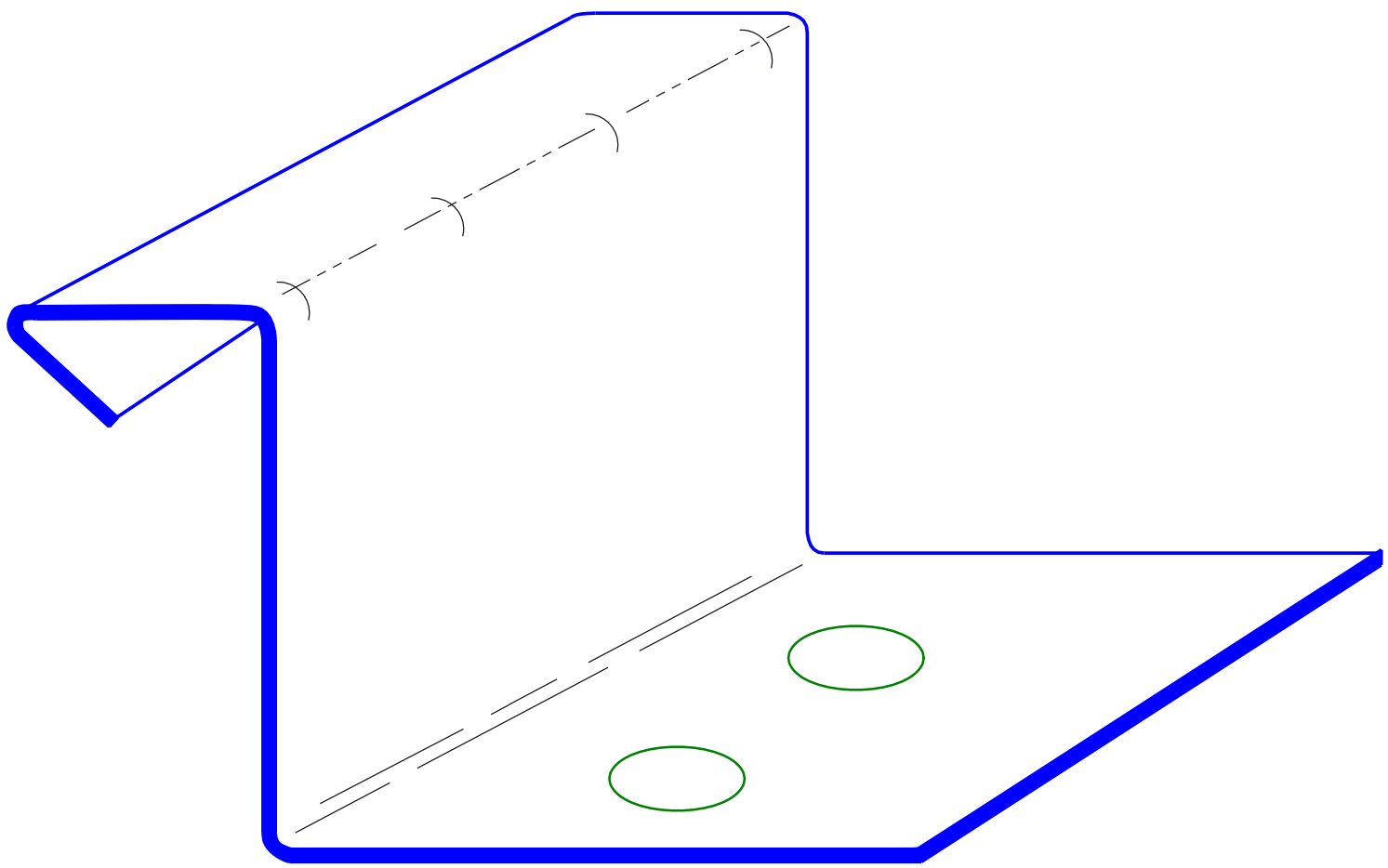
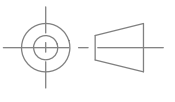
REVISION: A	SHEET: 1 of 1	SIZE: A3	DATE: 21/11/2013
-----------------------	-------------------------	--------------------	----------------------------



EXPANSION CLEAT
FOR USE WITH ROOF
RUNS EXCEEDING 9m

02SS EXPANSION CLEAT

 www.ambrometals.com	Ambro Metals Ltd PO Box 15599 New Lynn 0604 Auckland New Zealand	TITLE / PART NUMBER: Section 3 - A Standing Seam Expansion Cleat		
	Copyright © 2013 Ambro Metals Ltd Information contained in this drawing may not be reproduced or used for any purpose without express written permission from Ambro Metals Limited	REVISION: A	SHEET: 1 of 1	SIZE: A3



02SS FIXED CLEAT

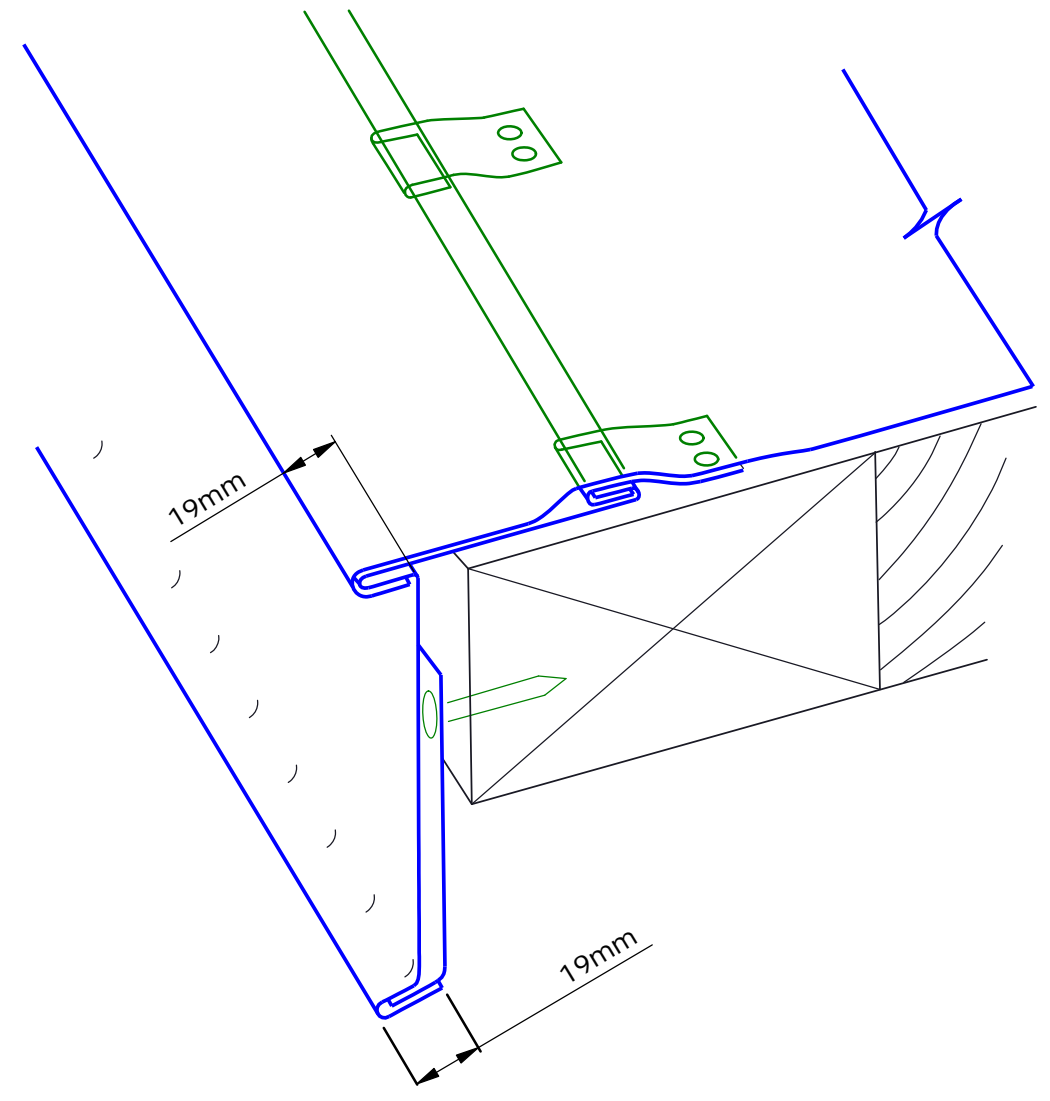
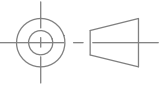
AMBROMETALS

Ambro Metals Ltd
PO Box 15599
New Lynn 0604
Auckland
New Zealand

www.ambrometals.com
Copyright © 2013 Ambro Metals Ltd
Information contained in this drawing may not be reproduced or used for any purpose without express written permission from Ambro Metals Limited

TITLE / PART NUMBER:
**Section 3 - A Standing Seam
Fixed Cleat**

REVISION: A	SHEET: 1 of 1	SIZE: A3	DATE: 20/11/2013
-----------------------	-------------------------	--------------------	----------------------------



02SS13-A GABLE RAKE BOTTOM LOCKING-ALTERNATE

AMBROMETALS

www.ambrometals.com

Ambro Metals Ltd
PO Box 15599
New Lynn 0604
Auckland
New Zealand

Copyright © 2013 Ambro Metals Ltd
Information contained in this drawing may not be reproduced or used for any purpose without express written permission from Ambro Metals Limited

TITLE / PART NUMBER:

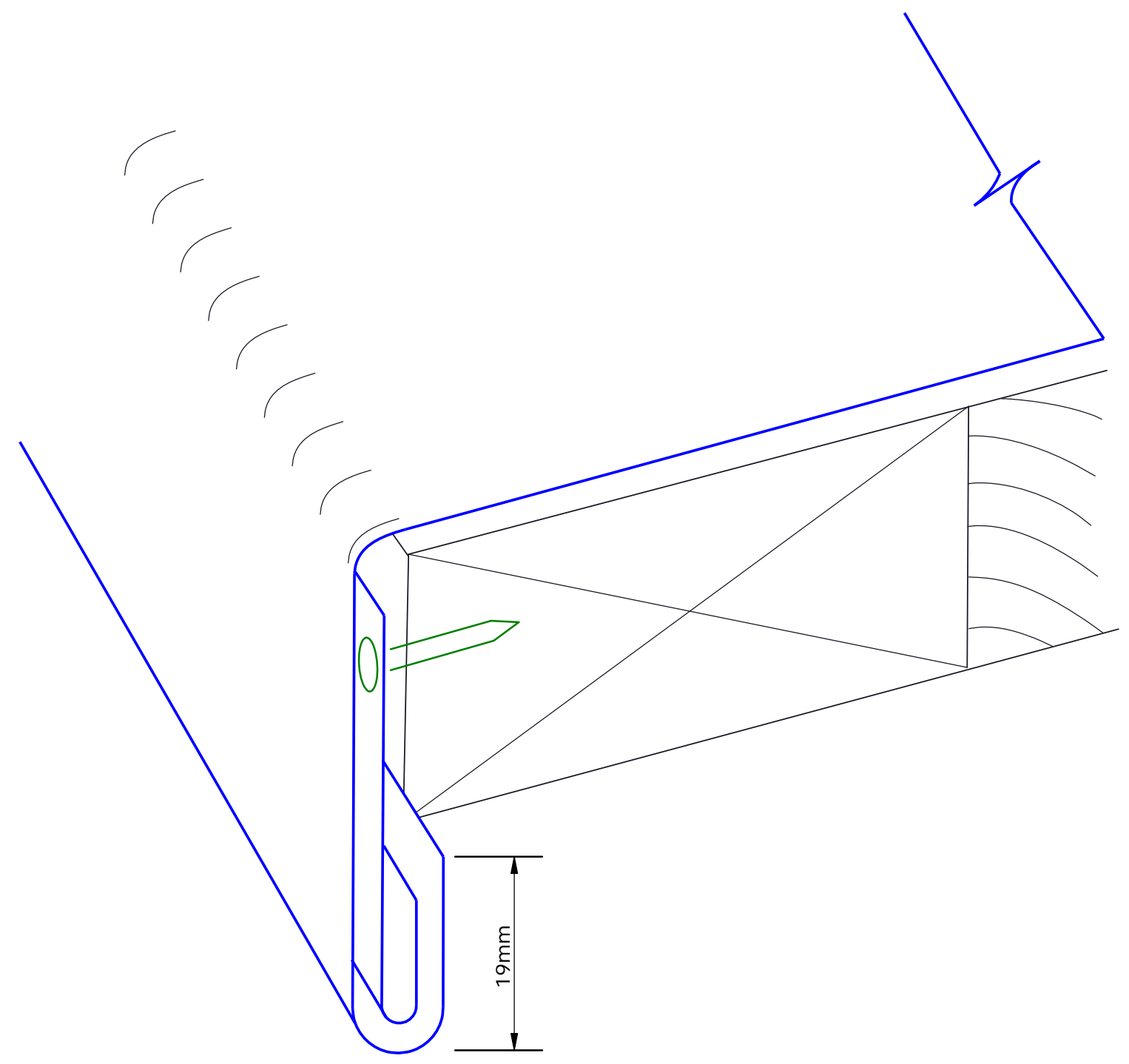
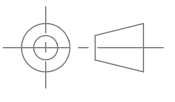
Section 3 - A Standing Seam
Bottom Locking Alt

REVISION:
A

SHEET:
1 of 1

SIZE:
A3

DATE:
21/11/2013



02SS13 GABLE RAKE BOTTOM LOCKING

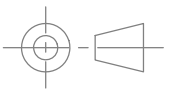
AMBROMETALS

Ambro Metals Ltd
PO Box 15599
New Lynn 0604
Auckland
New Zealand

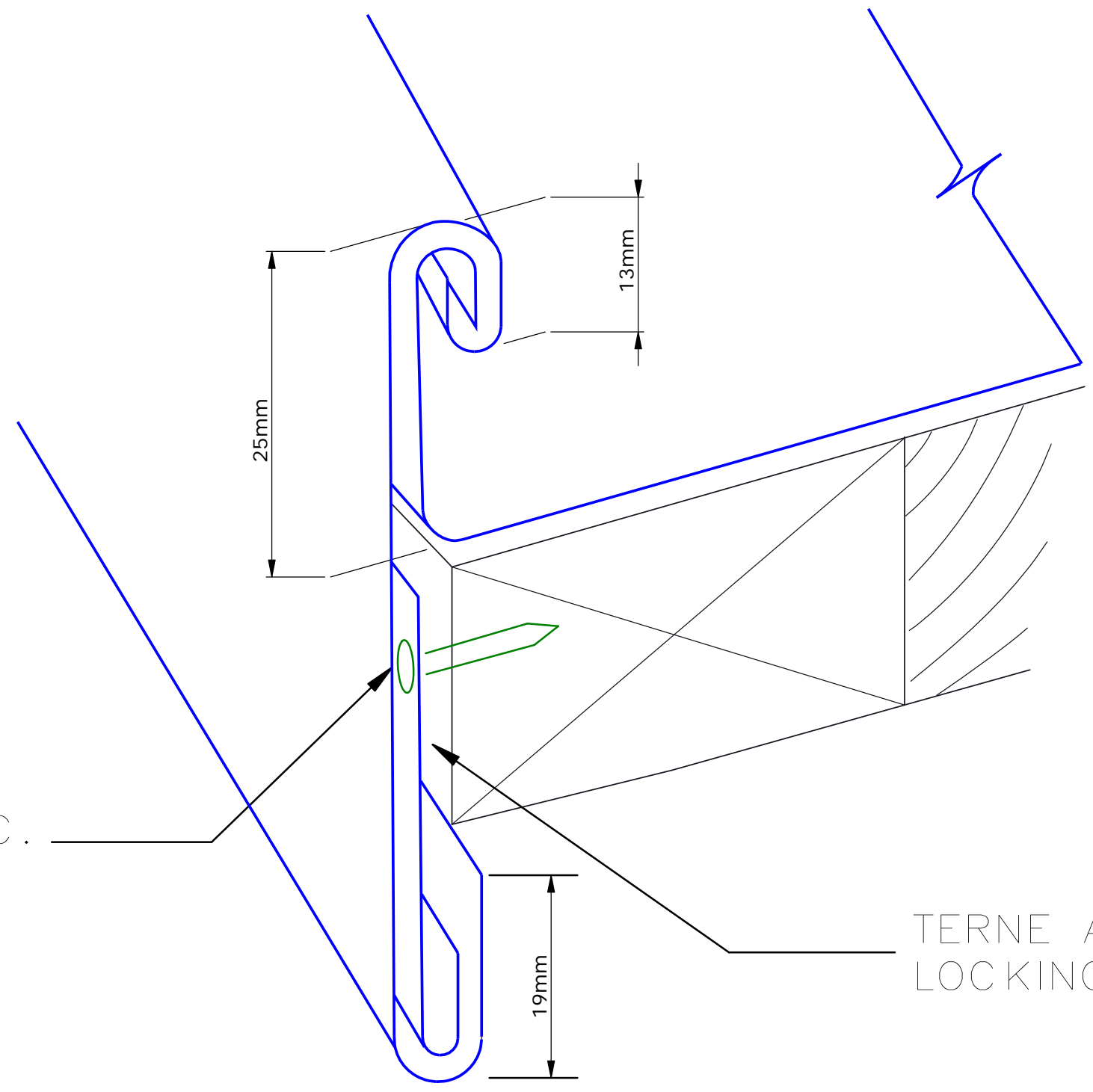
www.ambrometals.com
Copyright © 2013 Ambro Metals Ltd
Information contained in this drawing may not be reproduced or used for any purpose without express written permission from Ambro Metals Limited

TITLE / PART NUMBER:
**Section 3 - A Standing Seam
Bottom Locking**

REVISION: A	SHEET: 1 of 1	SIZE: A3	DATE: 21/11/2013
-----------------------	-------------------------	--------------------	----------------------------



STAINLESS STEEL
FIXING 102mm O.C.



TERNE ALLOY
LOCKING STRIP

02SS12 GABLE RAKE TOP AND BOTTOM LOCKING

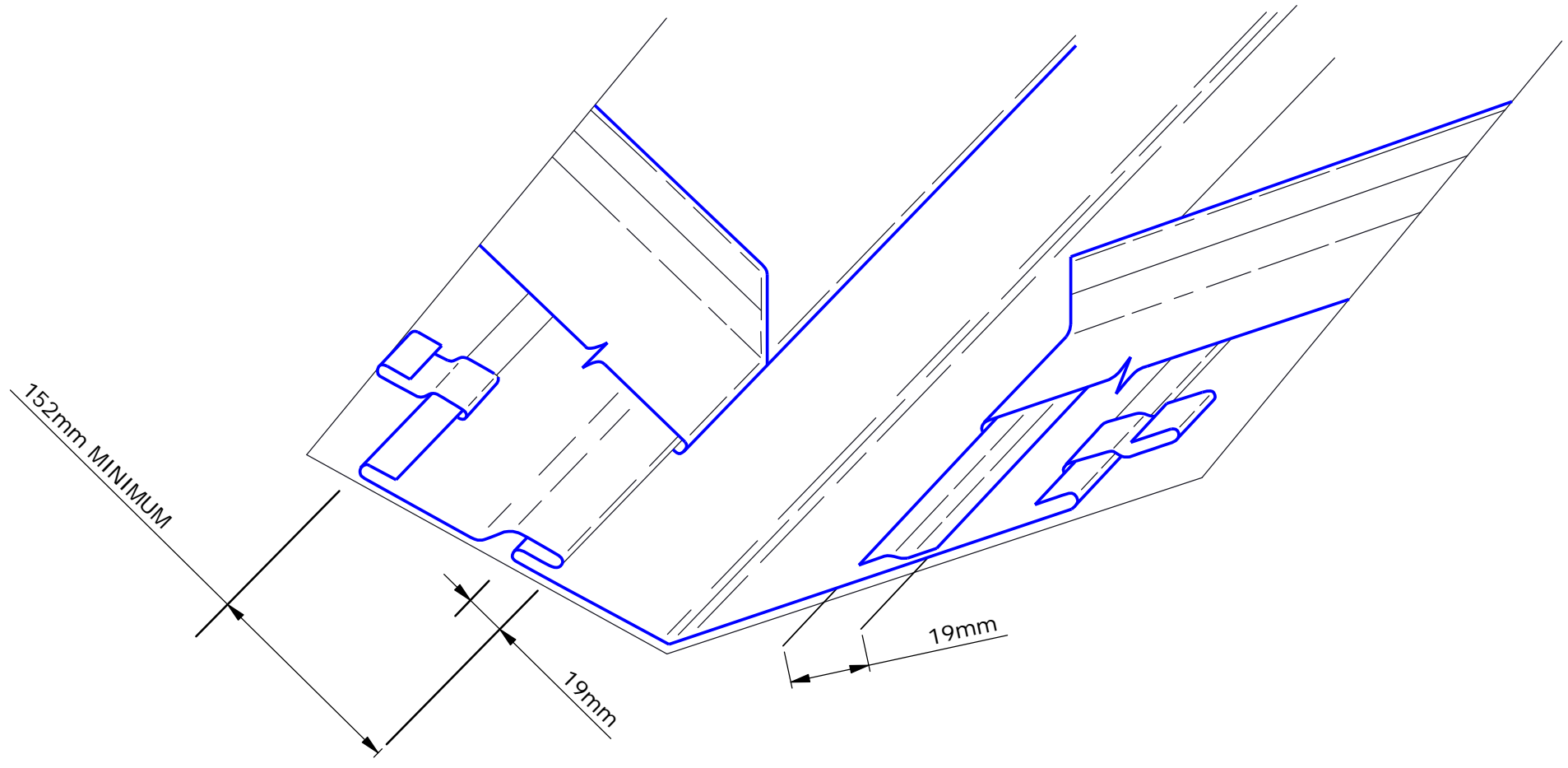
AMBROMETALS

Ambro Metals Ltd
PO Box 15599
New Lynn 0604
Auckland
New Zealand

www.ambrometals.com
Copyright © 2013 Ambro Metals Ltd
Information contained in this drawing may not be reproduced or used for any purpose without express written permission from Ambro Metals Limited

TITLE / PART NUMBER:
Section 3 - A Standing Seam
Gable Rake Top and Bottom Locking

REVISION: A	SHEET: 1 of 1	SIZE: A3	DATE: 22/11/2013
-----------------------	------------------	--------------------	----------------------------



02SS17 VALLEY EDGE

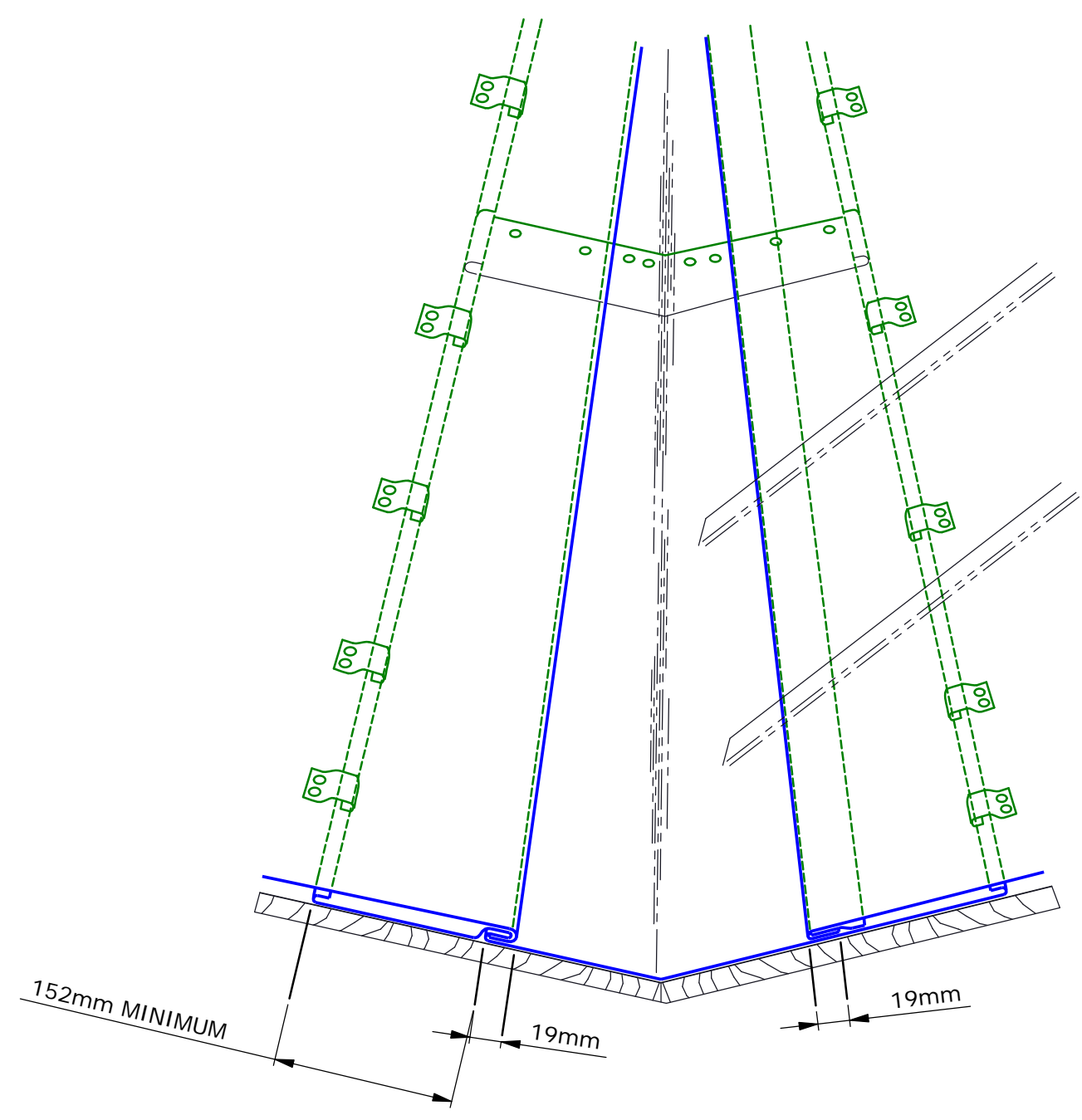
AMBROMETALS

Ambro Metals Ltd
PO Box 15599
New Lynn 0604
Auckland
New Zealand

www.ambrometals.com
Copyright © 2013 Ambro Metals Ltd
Information contained in this drawing may not be reproduced or used for any purpose without express written permission from Ambro Metals Limited

TITLE / PART NUMBER:
**Section 3 - A Standing Seam
Valley Edge**

REVISION: A	SHEET: 1 of 1	SIZE: A3	DATE: 21/11/2013
-----------------------	-------------------------	--------------------	----------------------------



02SS08 VALLEY

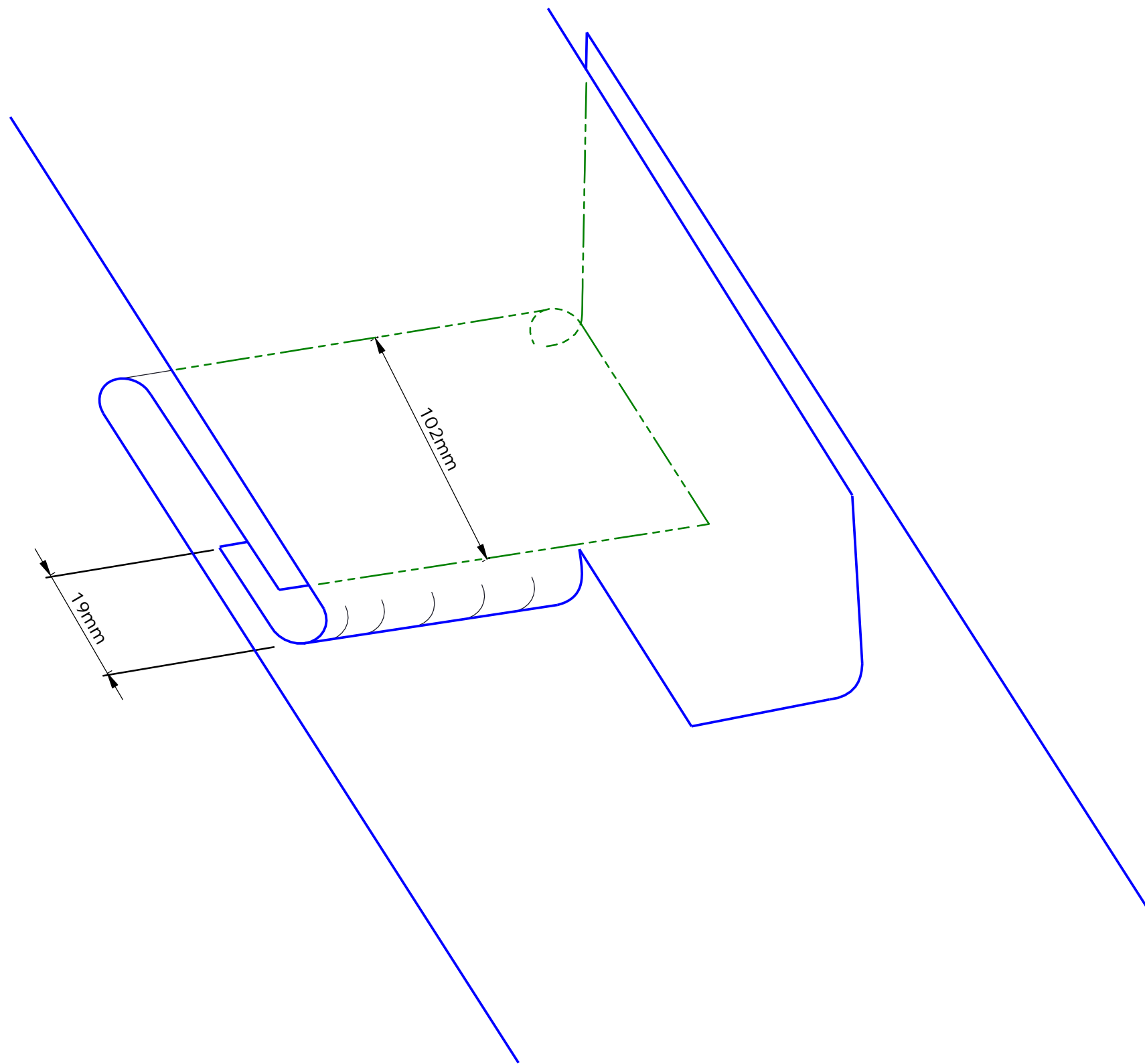
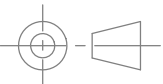
AMBROMETALS

Ambro Metals Ltd
PO Box 15599
New Lynn 0604
Auckland
New Zealand

www.ambrometals.com
Copyright © 2013 Ambro Metals Ltd
Information contained in this drawing may not be reproduced or used for any purpose without express written permission from Ambro Metals Limited

TITLE / PART NUMBER:
Section 3 - A Standing Seam
Transverse Seam - Valley

REVISION:	SHEET:	SIZE:	DATE:
A	1 of 1	A3	21/11/2013



02SS07 TRANSVERSE SEAM—STEEP SLOPE

AMBROMETALS

www.ambrometals.com

Information contained in this drawing may not be reproduced or used for any purpose without express written permission from Ambro Metals Limited

Ambro Metals Ltd
PO Box 15599
New Lynn 0604
Auckland
New Zealand

Copyright © 2013 Ambro Metals Ltd

TITLE / PART NUMBER:

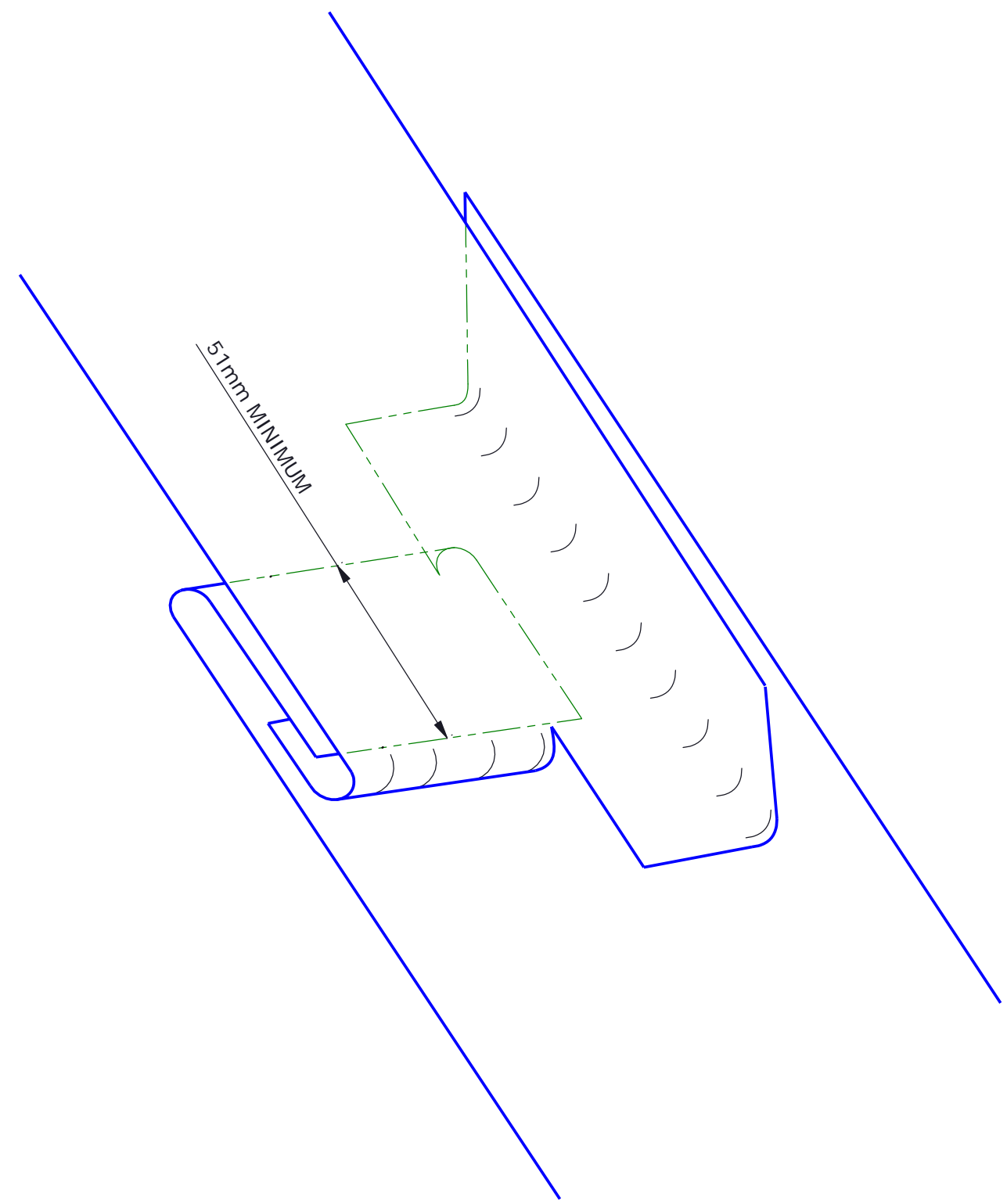
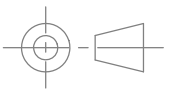
Section 3 - A Standing Seam
Transverse Seam - Steep Slope

REVISION:
A

SHEET:
1 of 1

SIZE:
A3

DATE:
21/11/2013



02SS07-A TRANSVERSE SEAM-STEEP SLOPE-ALTERNATE

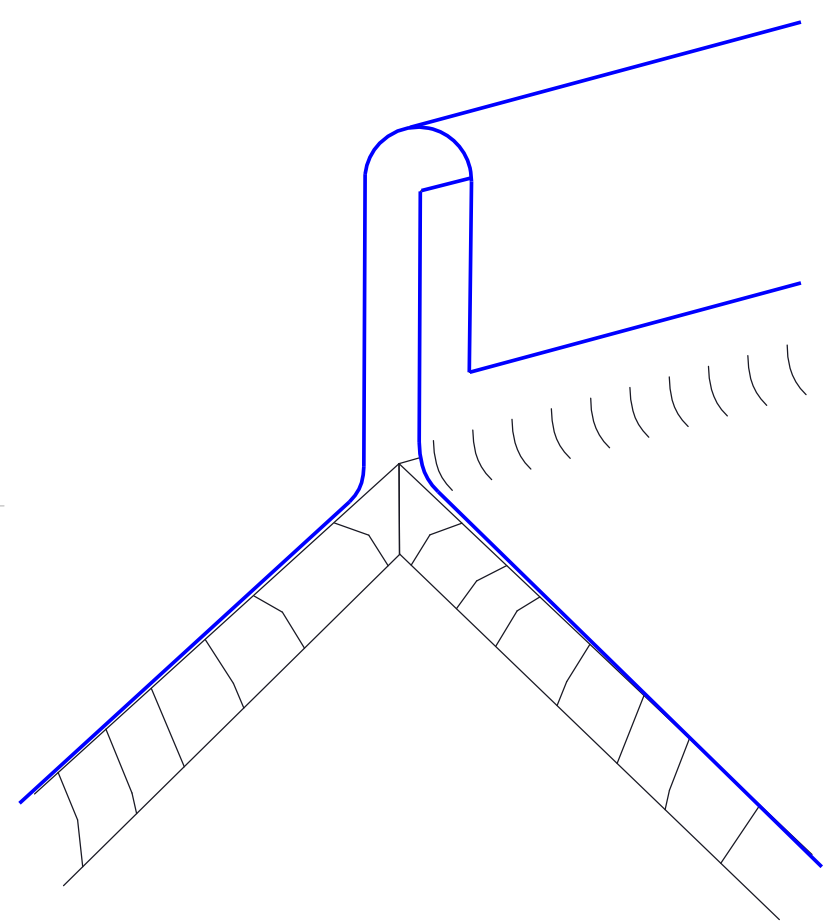


Ambro Metals Ltd
PO Box 15599
New Lynn 0604
Auckland
New Zealand

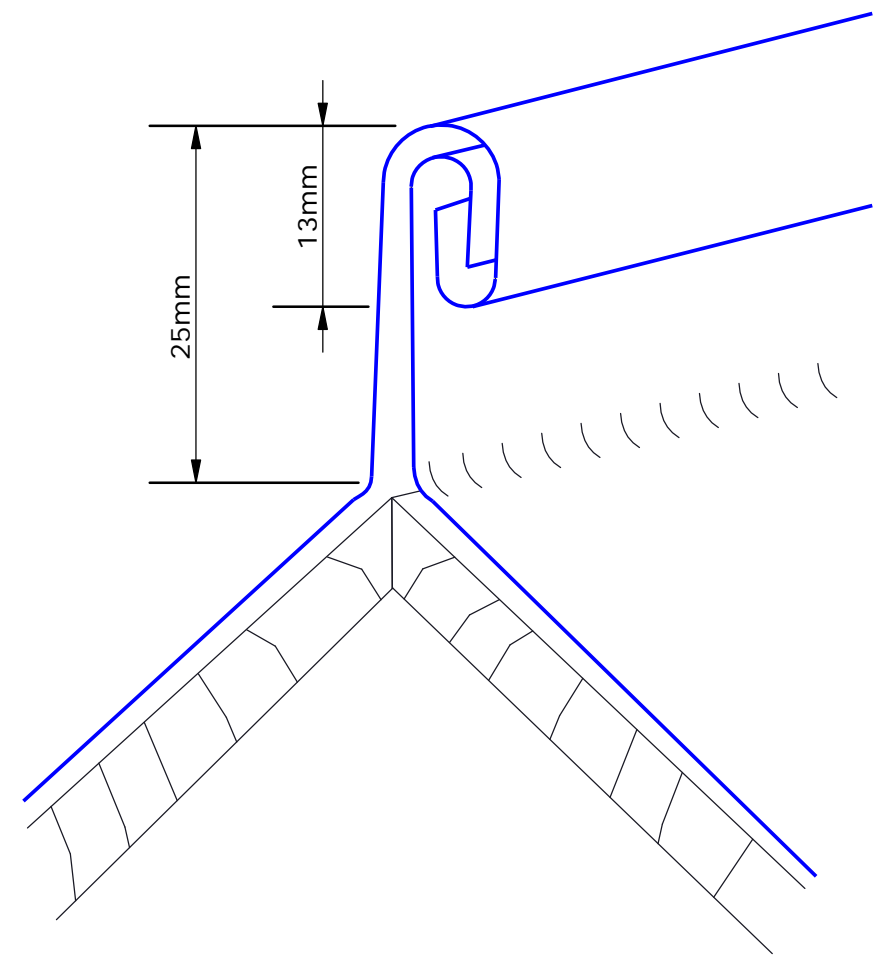
www.ambrometals.com
Copyright © 2013 Ambro Metals Ltd
Information contained in this drawing may not be reproduced or used for any purpose without express written permission from Ambro Metals Limited

TITLE / PART NUMBER:
Section 3 - A Standing Seam
Transverse Seam - Steep Slope Alt

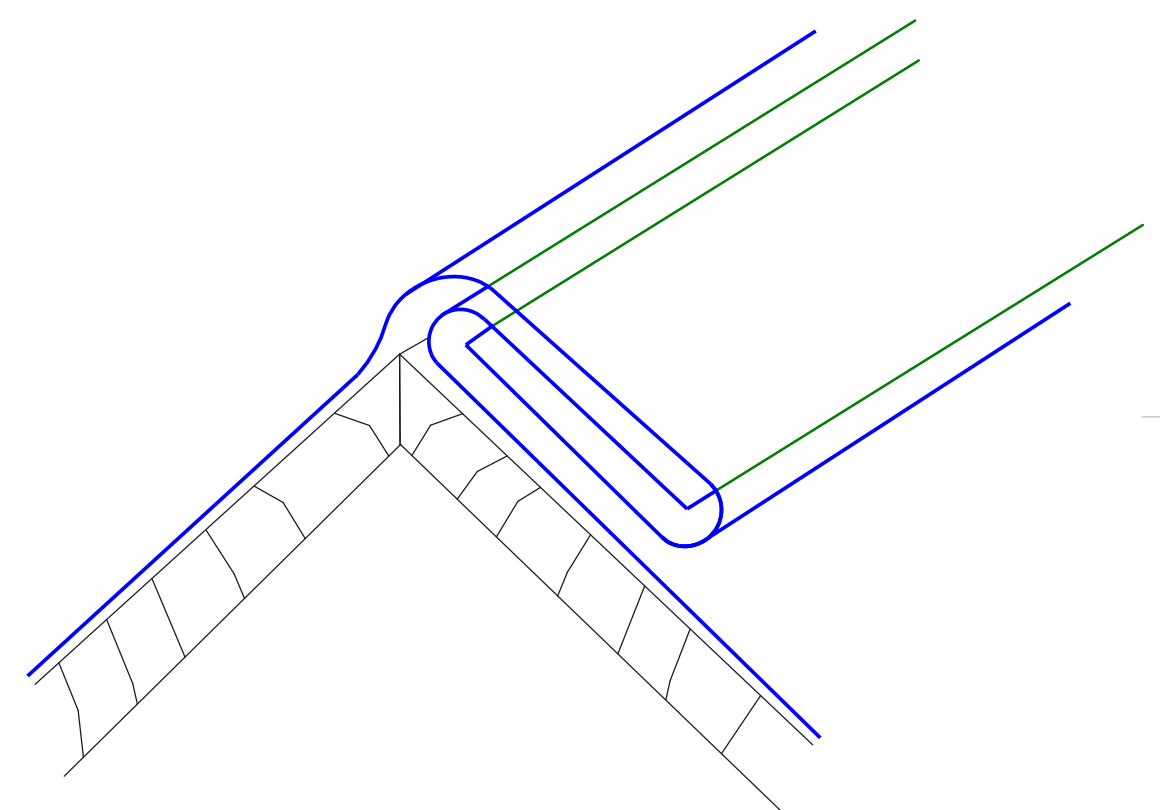
REVISION: A	SHEET: 1 of 1	SIZE: A3	DATE: 21/11/2013
-----------------------	-------------------------	--------------------	----------------------------



02SS09 RIDGE



02SS10 RIDGE



02SS11 RIDGE

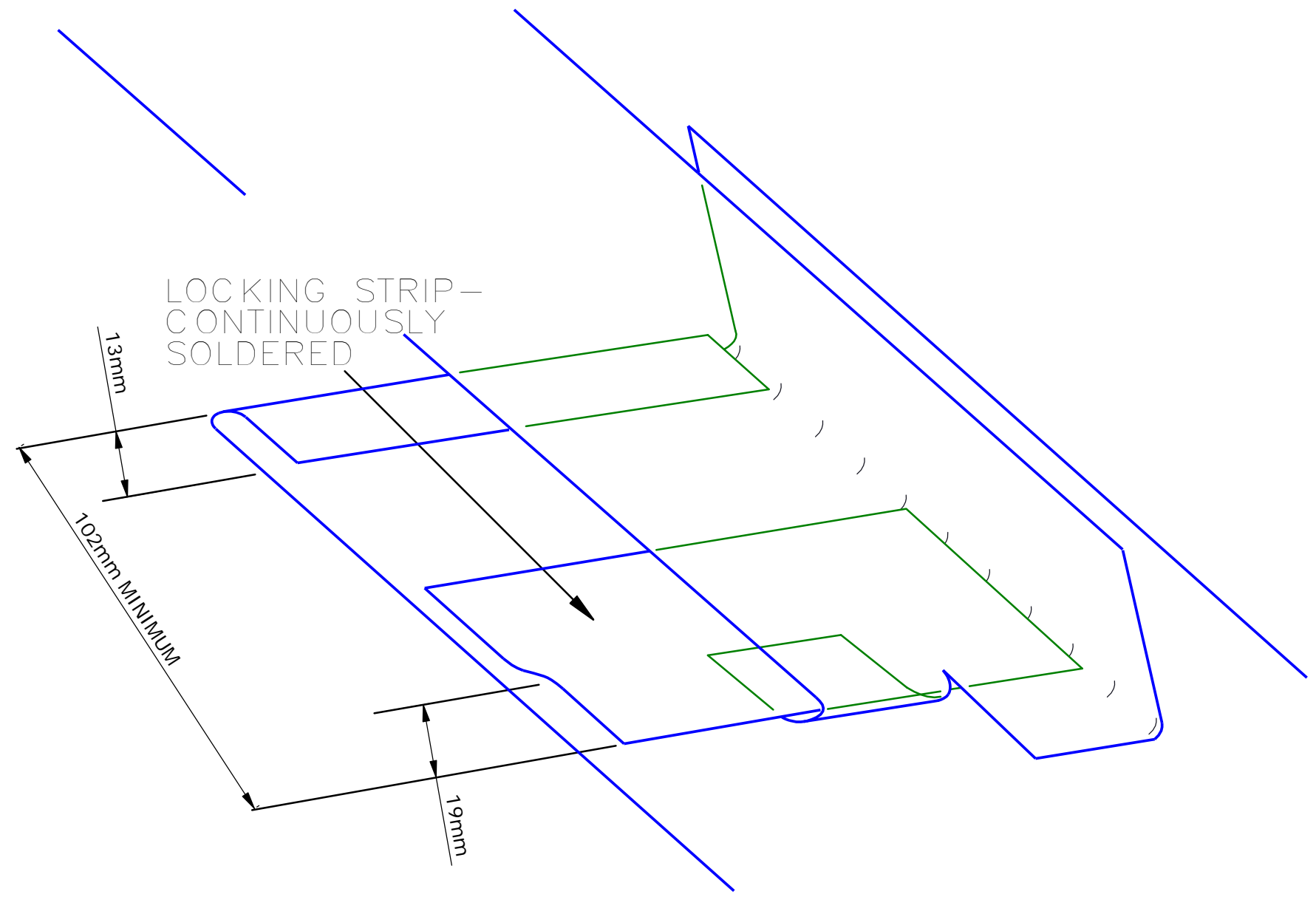
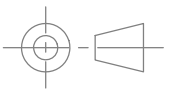


www.ambrometals.com
Information contained in this drawing may not be reproduced or used for any purpose without express written permission from Ambro Metals Limited

Ambro Metals Ltd
PO Box 15599
New Lynn 0604
Auckland
New Zealand

TITLE / PART NUMBER:
Section 3 - A Standing Seam
Transverse Seam - Ridge

REVISION: A	SHEET: 1 of 1	SIZE: A3	DATE: 21/11/2013
-----------------------	-------------------------	--------------------	----------------------------



02SS06 TRANSVERSE SEAM - LOW SLOPE

AMBROMETALS

Ambro Metals Ltd
PO Box 15599
New Lynn 0604
Auckland
New Zealand

www.ambrometals.com

Copyright © 2013 Ambro Metals Ltd
Information contained in this drawing may not be reproduced or used for any purpose without express written permission from Ambro Metals Limited

TITLE / PART NUMBER:

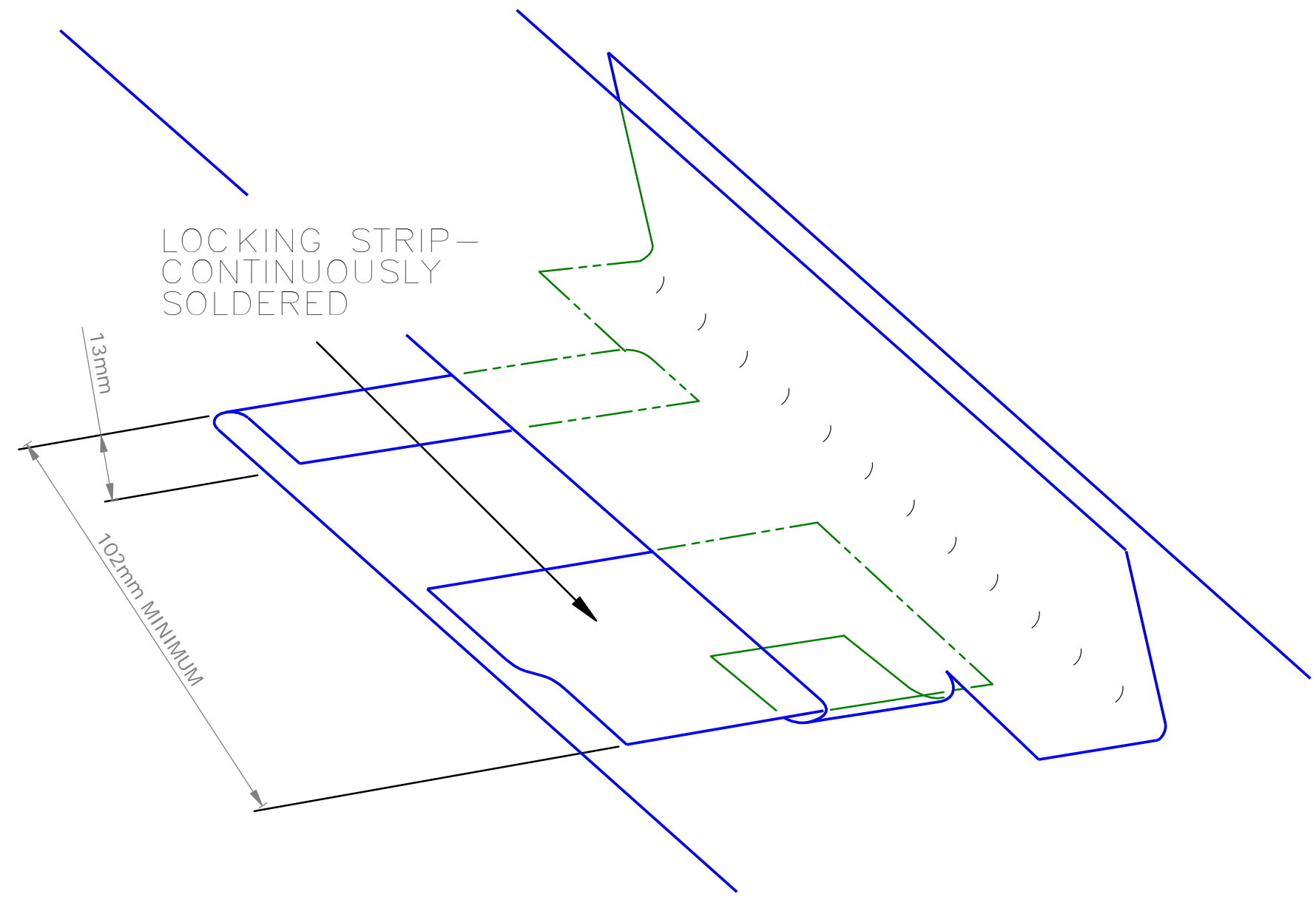
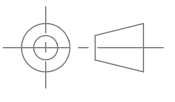
Section 3 - A Standing Seam
Transverse Seam - Low Slope

REVISION:
A

SHEET:
1 OF 1

SIZE:
A3

DATE:
21/11/2013



02SS06-A TRANSVERSE SEAM-LOW SLOPE-ALTERNATE

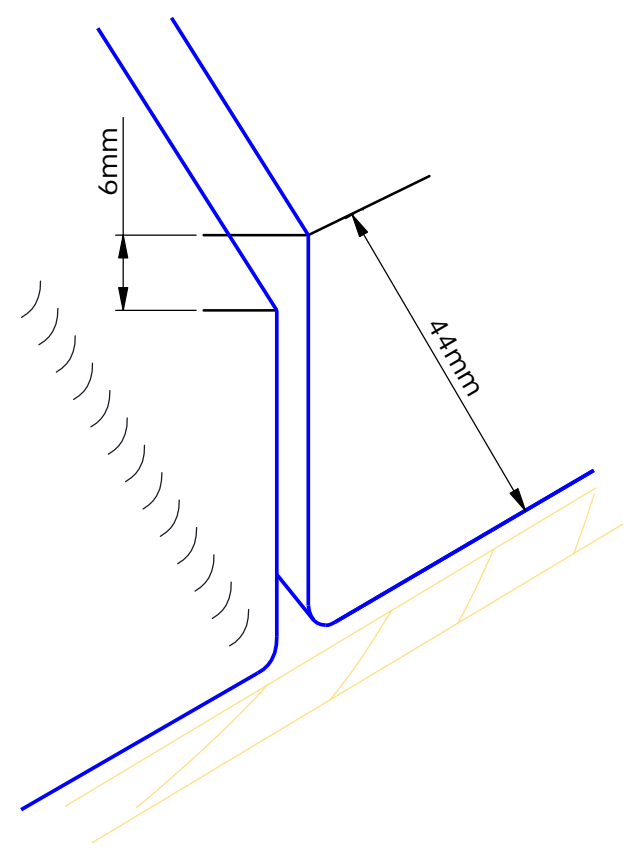


Ambro Metals Ltd
PO Box 15599
New Lynn 0604
Auckland
New Zealand

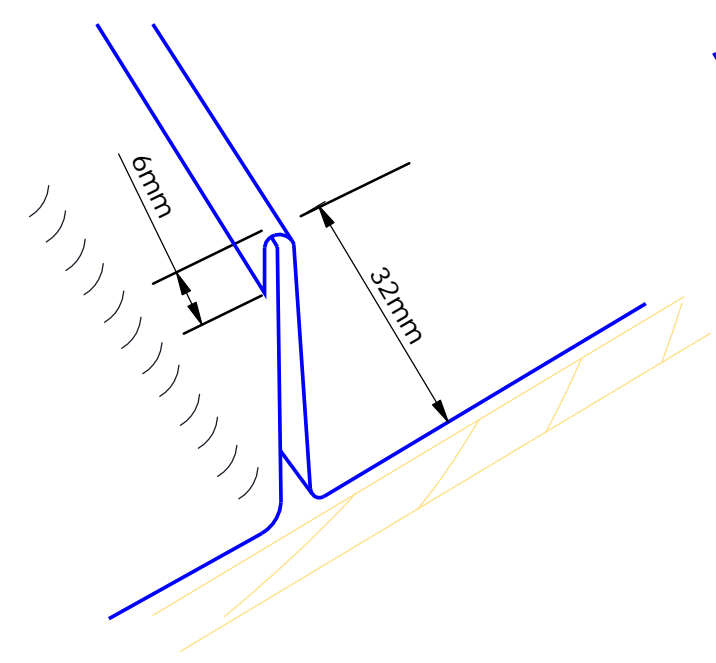
www.ambrometals.com
Copyright © 2013 Ambro Metals Ltd
Information contained in this drawing may not be reproduced or used for any purpose without express written permission from Ambro Metals Limited

TITLE / PART NUMBER:
Section 3 - A Standing Seam
Transverse Seam - Low Slope Alt

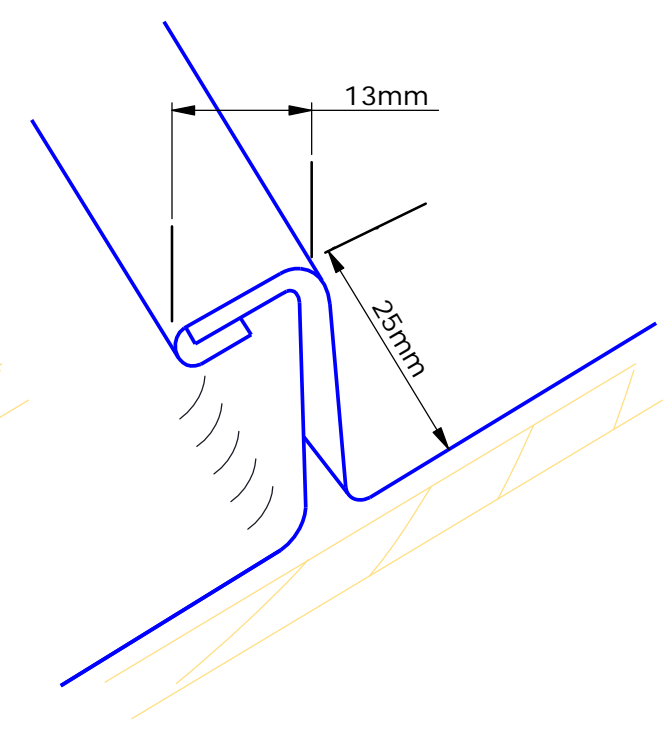
REVISION: A	SHEET: 1 of 1	SIZE: A3	DATE: 20/11/2013
-----------------------	-------------------------	--------------------	----------------------------



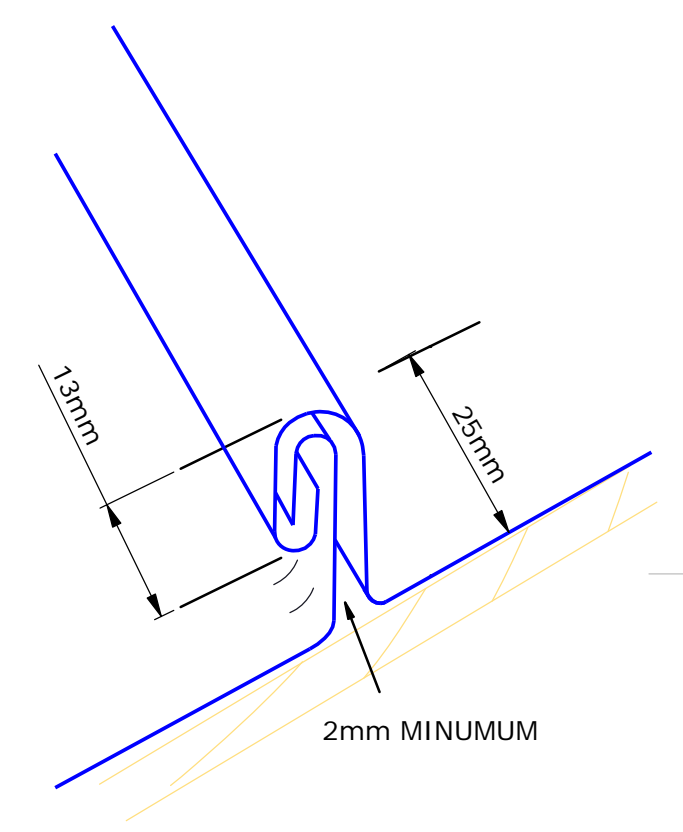
02SS02 STANDNG SEAM-STEP 1



02SS03 STANDING SEAM-STEP 2

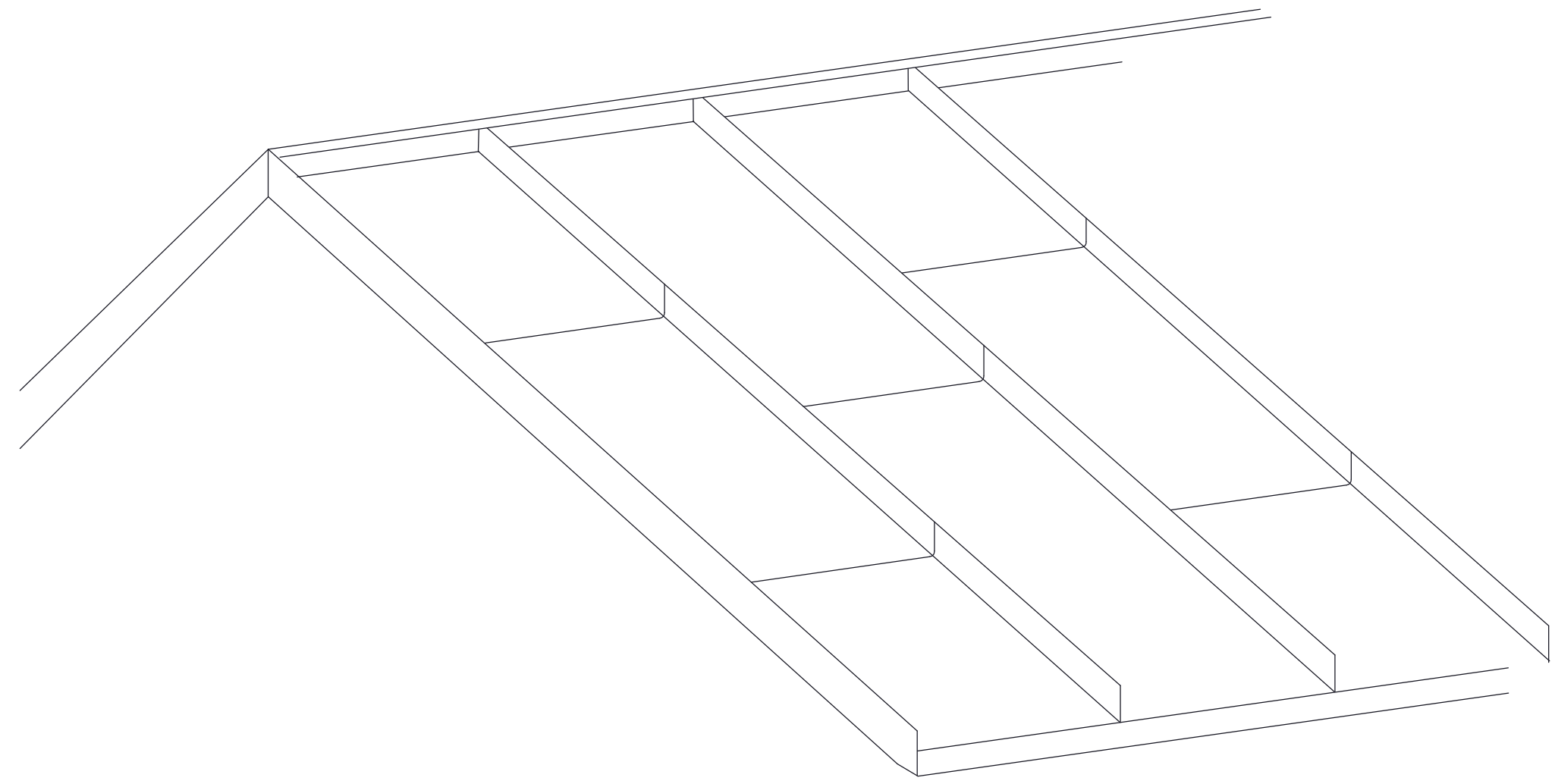


02SS04 STANDING SEAM-STEP 3



02SS05 STANDING SEAM-COMPLETED

	Ambro Metals Ltd PO Box 15599 New Lynn 0604 Auckland New Zealand		TITLE / PART NUMBER: Section 3 - A Standing Seam Standing Seam Steps	
	www.ambrometals.com <small>Information contained in this drawing may not be reproduced or used for any purpose without express written permission from Ambro Metals Limited</small>	Copyright © 2013 Ambro Metals Ltd	REVISION: A	SHEET: 1 of 1
			DATE: 20/11/2013	



02SS01B STANDING SEAM ROOF



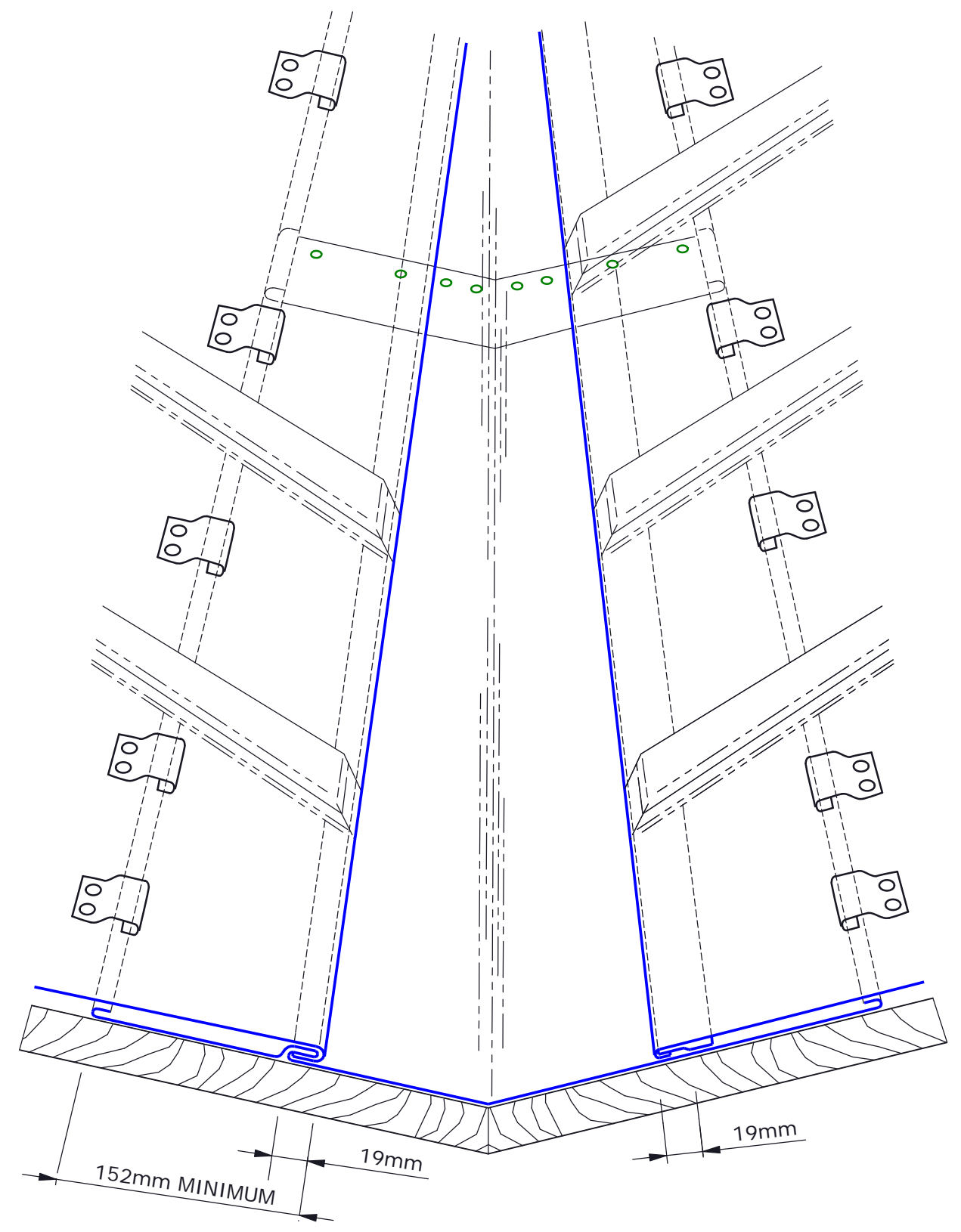
Ambro Metals Ltd
PO Box 15599
New Lynn 0604
Auckland
New Zealand

www.ambrometals.com
Information contained in this drawing may not be reproduced or used for any purpose without express written permission from Ambro Metals Limited

Copyright © 2013 Ambro Metals Ltd

TITLE / PART NUMBER:
Section 3 - A Standing Seam
Standing Seam Roof

REVISION: A	SHEET: 1 of 1	SIZE: A3	DATE: 20/11/2013
-----------------------	-------------------------	--------------------	----------------------------



02BS11 ALT. VALLEY EDGES

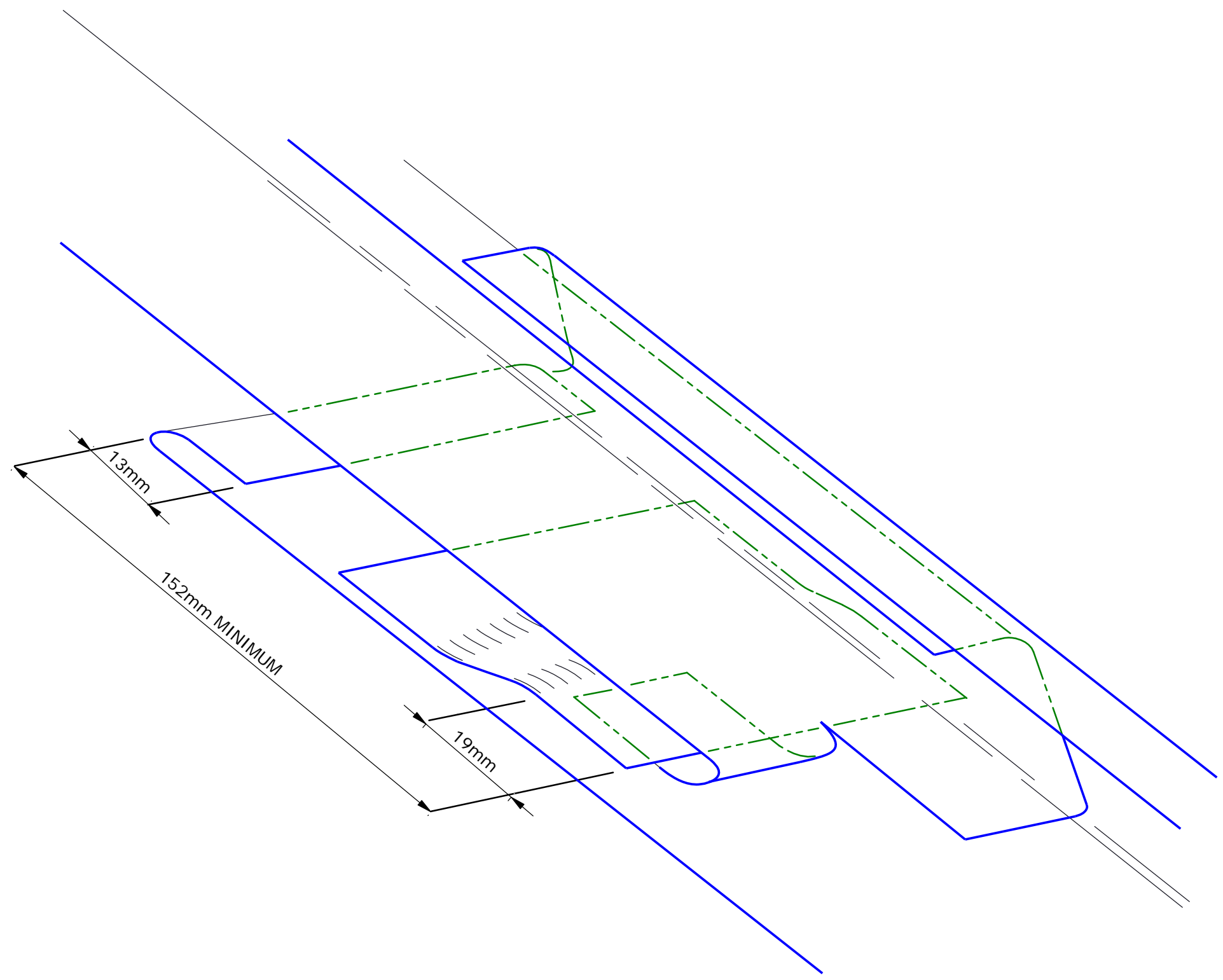
AMBROMETALS

Ambro Metals Ltd
PO Box 15599
New Lynn 0604
Auckland
New Zealand

www.ambrometals.com
Information contained in this drawing may not be reproduced or used for any purpose without express written permission from Ambro Metals Limited

TITLE / PART NUMBER:
Section 3 - B Batten Seam
Valley Edges

REVISION: A	SHEET: 1 of 1	SIZE: A3	DATE: 21/11/2013
-----------------------	-------------------------	--------------------	----------------------------



02B S06 TRANSVERSE SEAM—LOW PITCH



Ambro Metals Ltd
PO Box 15599
New Lynn 0604
Auckland
New Zealand

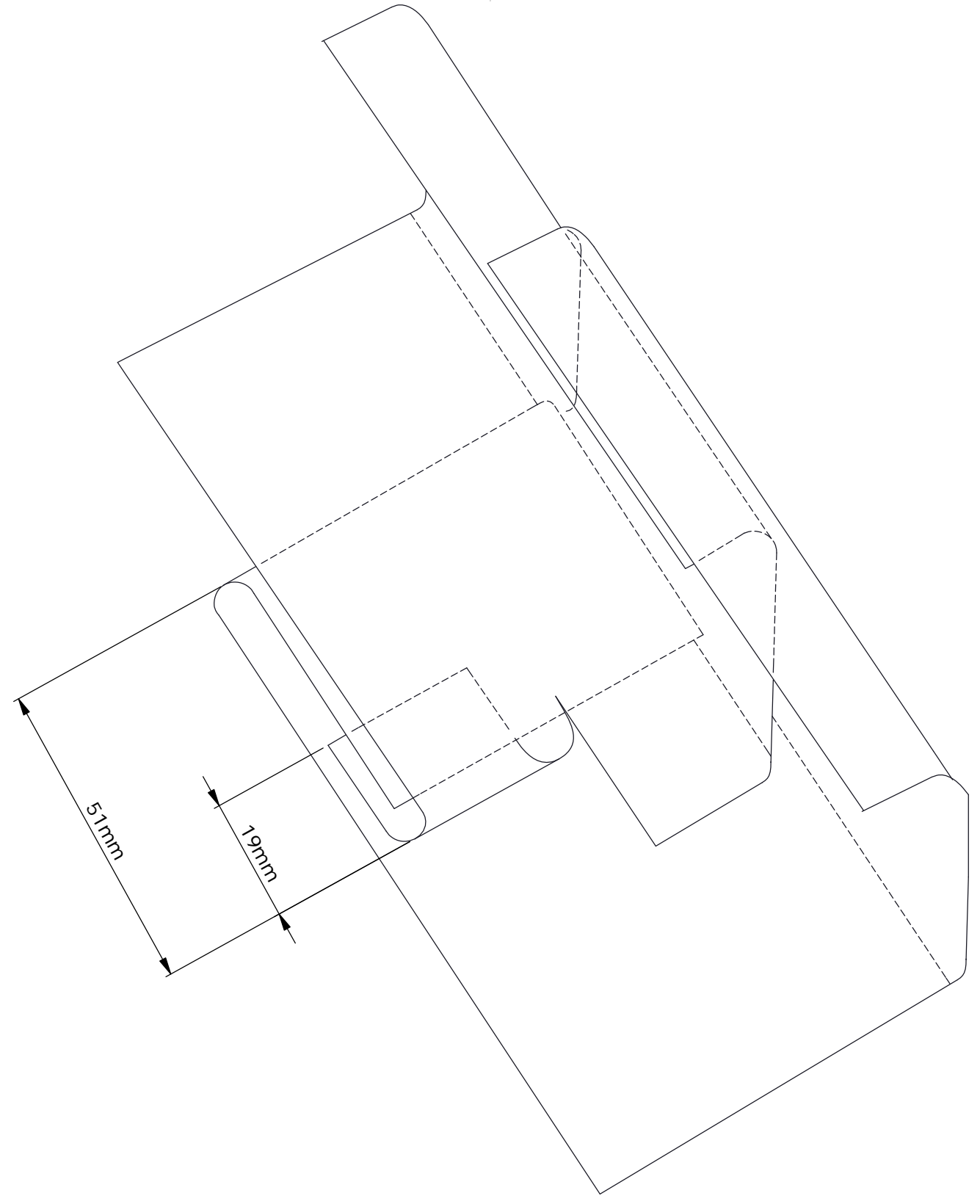
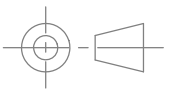
www.ambrometals.com
Information contained in this drawing may not be reproduced or used for any purpose without express written permission from Ambro Metals Limited

Copyright © 2013 Ambro Metals Ltd

TITLE / PART NUMBER:
Section 3 - A Batten Seam
Transverse Seam - Low Pitch

REVISION: A	SHEET: 1 of 1	SIZE: A3
-----------------------	-------------------------	--------------------

DATE:
21/11/2013



02BS07 STEEP SLOPE TRANVERSE SEAM

AMBROMETALS

Ambro Metals Ltd
PO Box 15599
New Lynn 0604
Auckland
New Zealand

www.ambrometals.com

Copyright © 2013 Ambro Metals Ltd
Information contained in this drawing may not be reproduced or used for any purpose without express written permission from Ambro Metals Limited

TITLE / PART NUMBER:

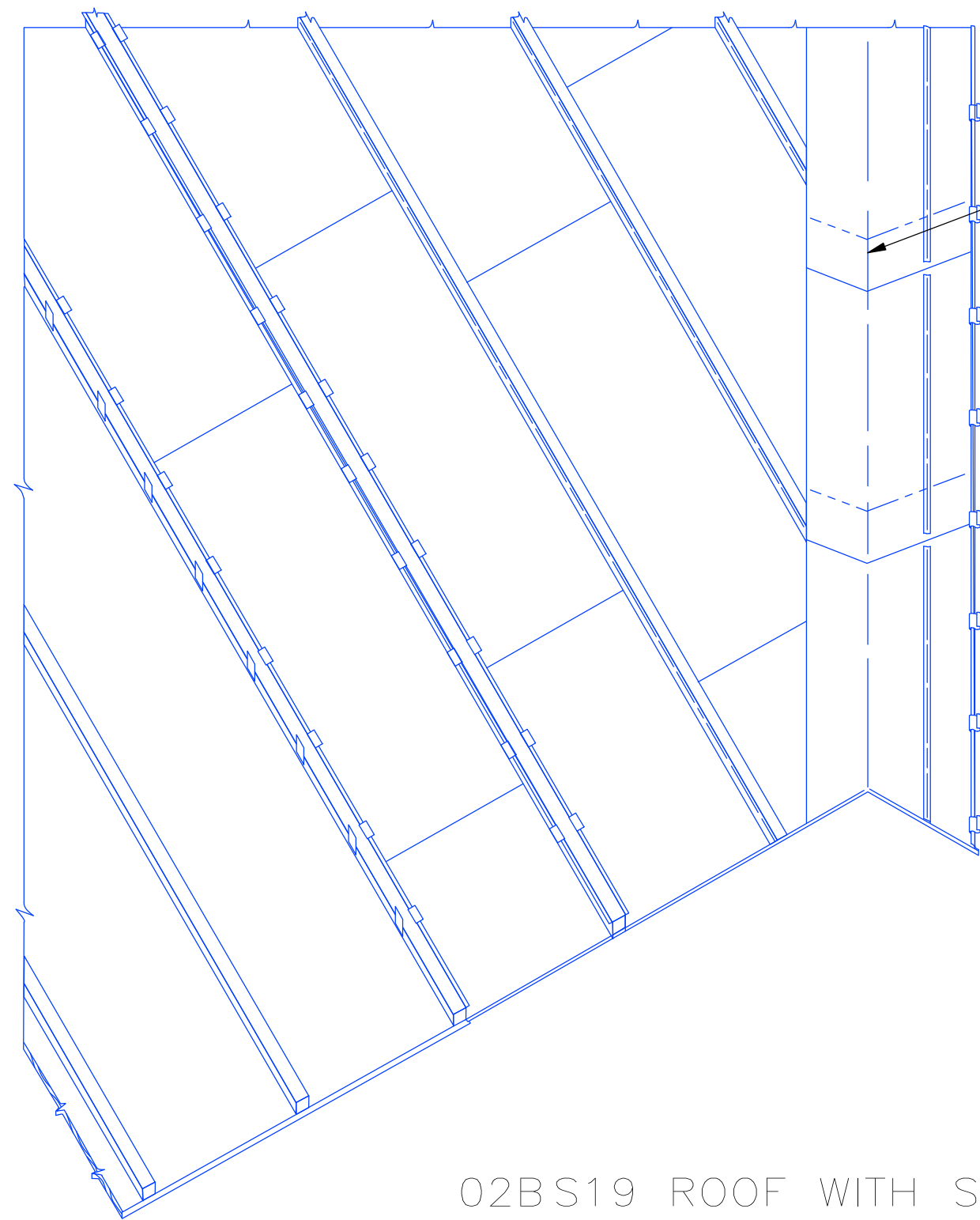
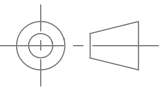
Section 3 - A Batten Seam
Steep Slope Transverse

REVISION:
A

SHEET:
1 of 1

SIZE:
A3

DATE:
21/11/2013



STAINLESS
STEEL CLEATS
SPACED 460mm

LAP VALLEY
SHEETS 152mm
UNSOLDERED

02BS19 ROOF WITH SEAMS

AMBROMETALS

www.ambrometals.com

Information contained in this drawing may not be reproduced or used for any purpose without express written permission from Ambro Metals Limited

Ambro Metals Ltd
PO Box 15599
New Lynn 0604
Auckland
New Zealand

Copyright © 2013 Ambro Metals Ltd

TITLE / PART NUMBER:

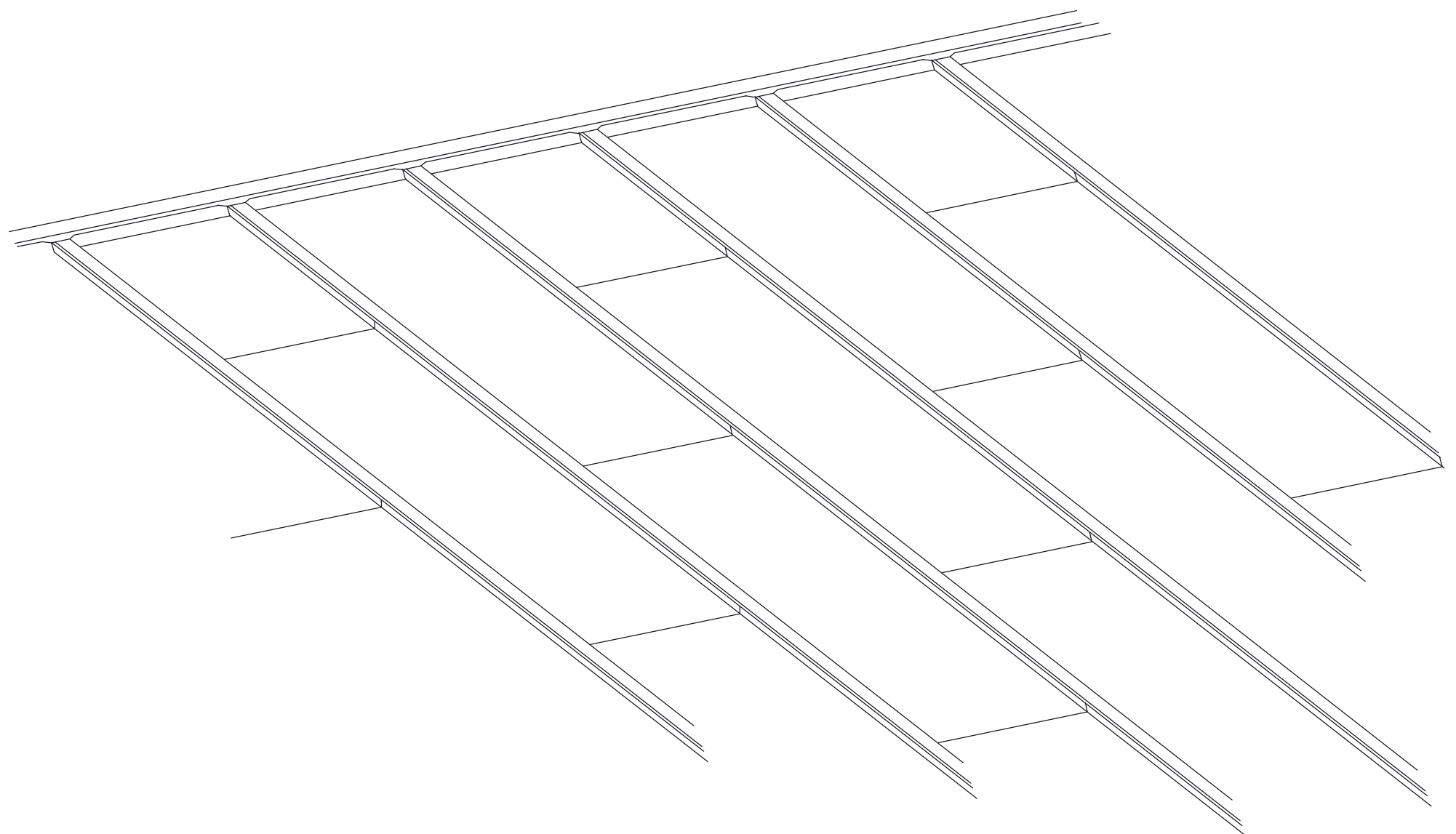
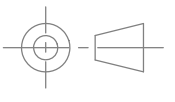
Section 3 - B Batten Seam
Roof with Seams

REVISION:
A

SHEET:
1 of 1

SIZE:
A3

DATE:
21/11/2013



02BS17 ROOF-LOW SLOPE

AMBROMETALS

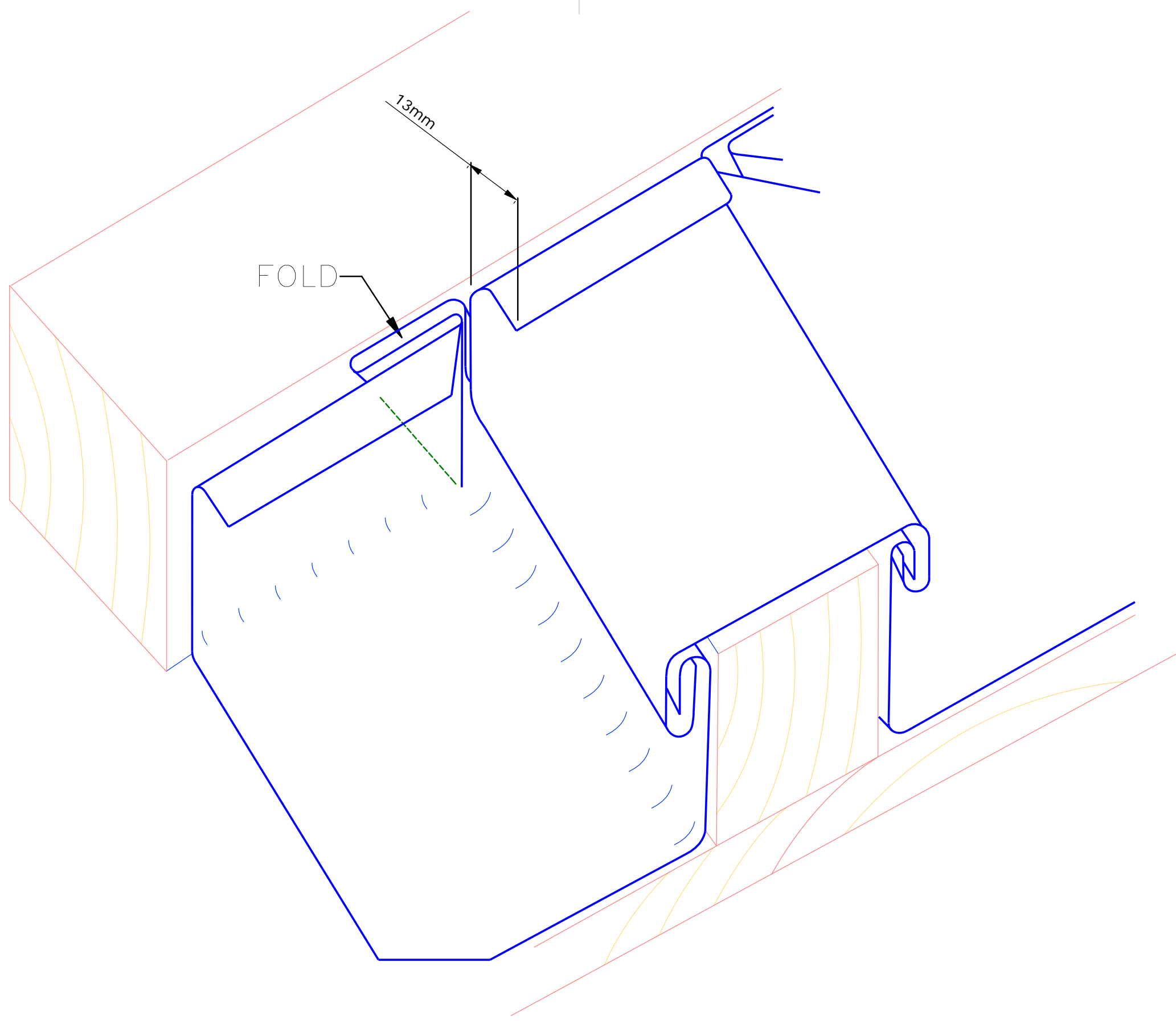
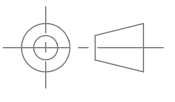
Ambro Metals Ltd
PO Box 15599
New Lynn 0604
Auckland
New Zealand

www.ambrometals.com
Information contained in this drawing may not be reproduced or used for any purpose without express written permission from Ambro Metals Limited

Copyright © 2013 Ambro Metals Ltd

TITLE / PART NUMBER:
Section 3 - B Batten Seam
Roof - Low Slope

REVISION: A	SHEET: 1 of 1	SIZE: A3	DATE: 21/11/2013
-----------------------	-------------------------	--------------------	----------------------------



02B S08 RIDGE

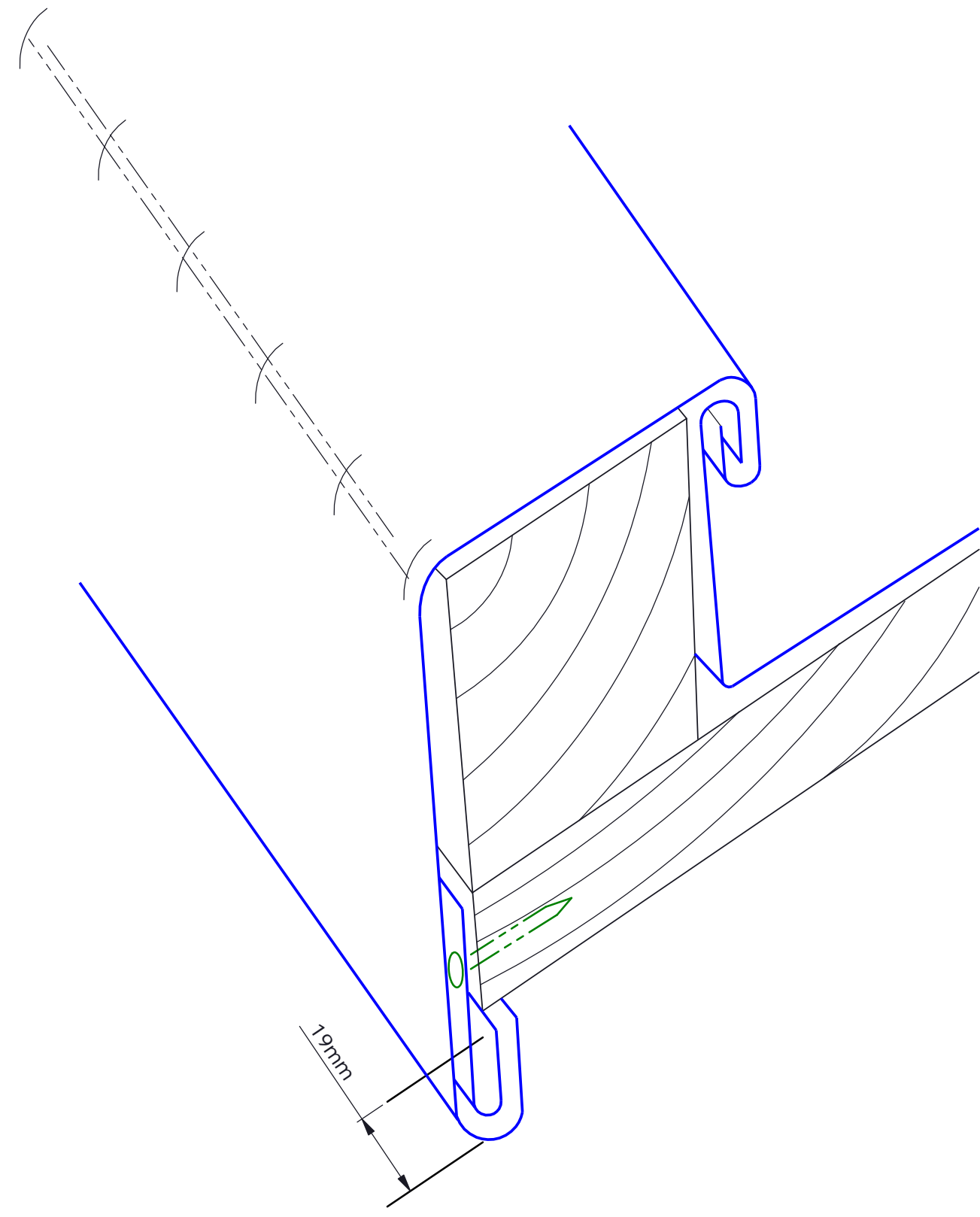
AMBROMETALS

Ambro Metals Ltd
PO Box 15599
New Lynn 0604
Auckland
New Zealand

www.ambrometals.com
Copyright © 2013 Ambro Metals Ltd
Information contained in this drawing may not be reproduced or used for any purpose without express written permission from Ambro Metals Limited

TITLE / PART NUMBER:
**Section 3 - A Batten Seam
Ridge**

REVISION: A	SHEET: 1 of 1	SIZE: A3	DATE: 21/11/2013
-----------------------	-------------------------	--------------------	----------------------------



02BS12 GABLE END WITH BATTEN

AMBROMETALS

Ambro Metals Ltd
PO Box 15599
New Lynn 0604
Auckland
New Zealand

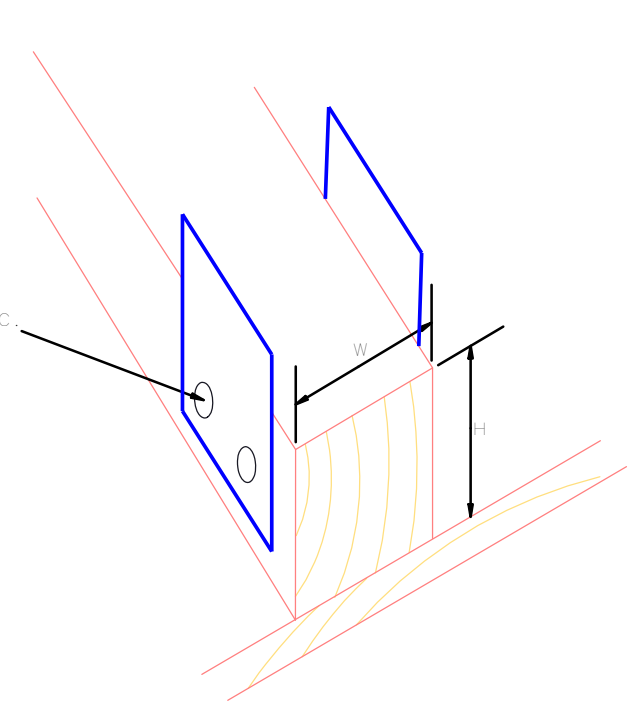
www.ambrometals.com
Information contained in this drawing may not be reproduced or used for any purpose without express written permission from Ambro Metals Limited

TITLE / PART NUMBER:
Section 3 - B Batten Seam
Gable End with Batten

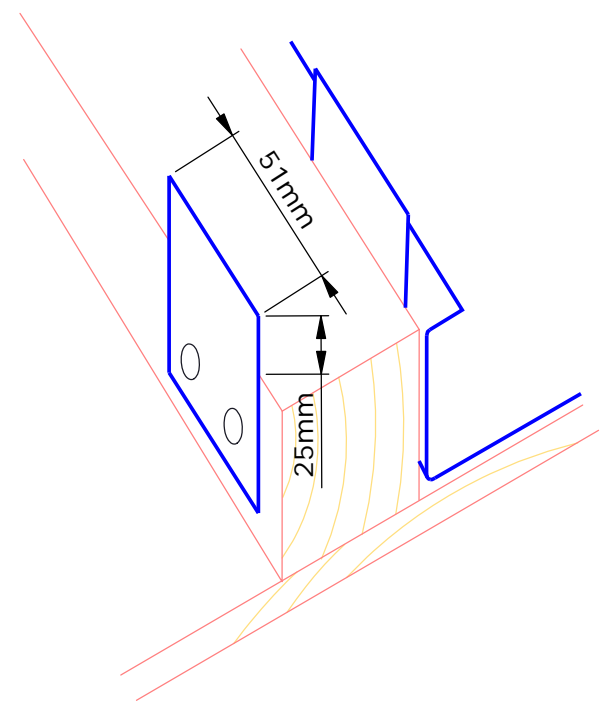
REVISION: A	SHEET: 1 of 1	SIZE: A3	DATE: 21/11/2013
-----------------------	-------------------------	--------------------	----------------------------



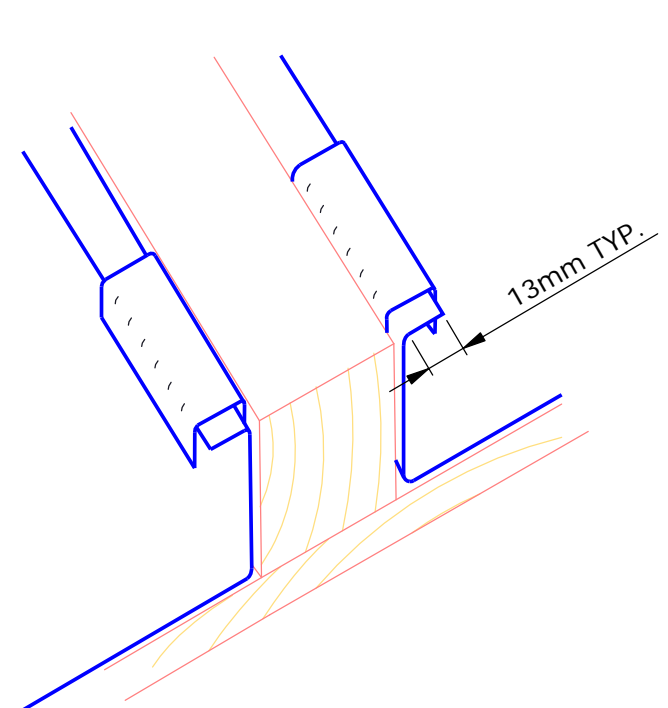
STAINLESS STEEL
CLEATS 305mm O.C.



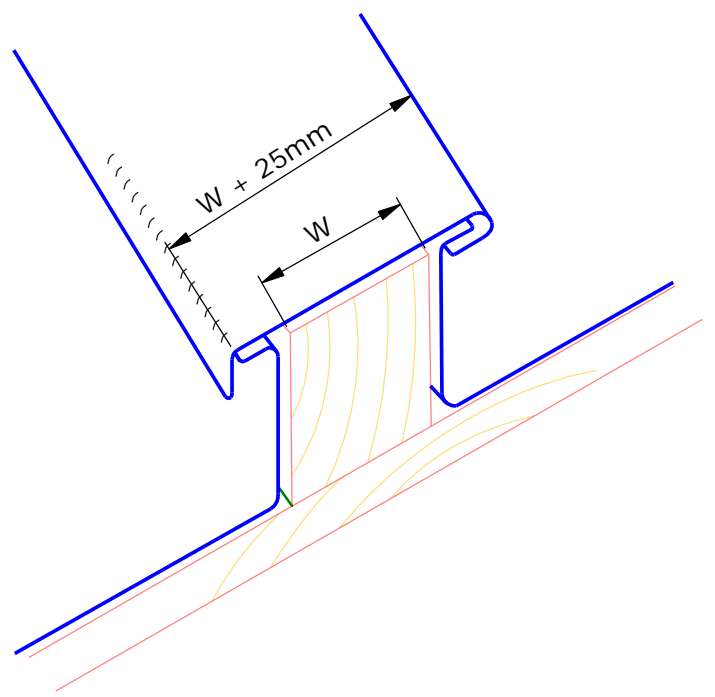
02BS01 01-BC-04 REVERSED



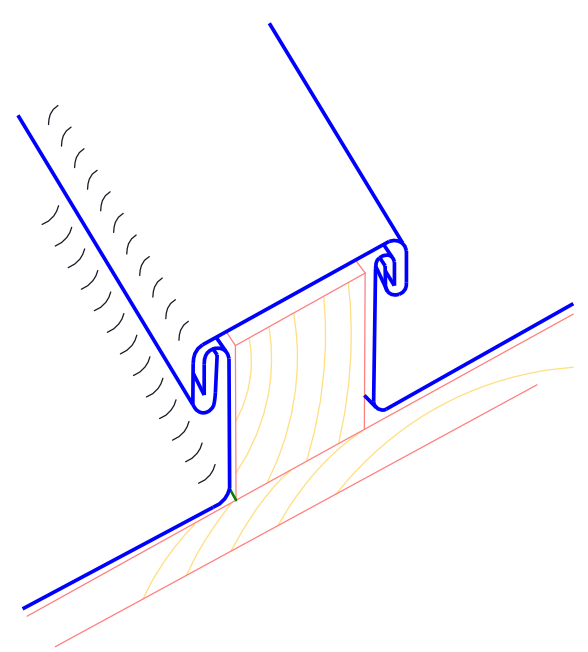
02BS02 BATTEN SEAM 2



02BS03 BATTEN SEAM 3



02BS04 BATTEN SEAM 4



02BS05 BATTEN SEAM 5

AMBROMETALS

www.ambrometals.com

Ambro Metals Ltd
PO Box 15599
New Lynn 0604
Auckland
New Zealand

Copyright © 2013 Ambro Metals Ltd
Information contained in this drawing may not be reproduced or used for any purpose without express written permission from Ambro Metals Limited

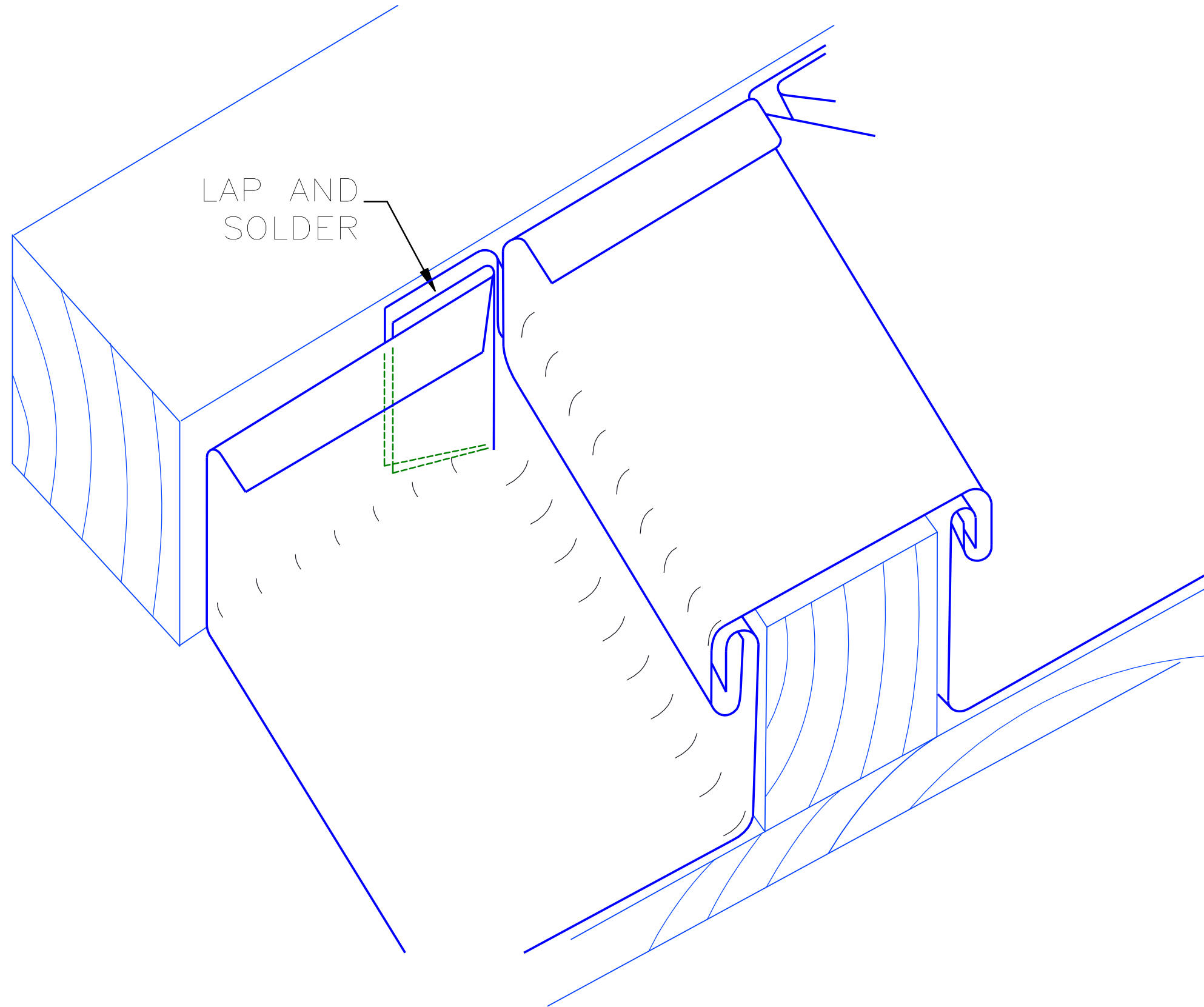
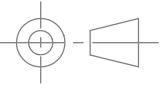
TITLE / PART NUMBER:
Section 3 - A Batten Seam
Batten Seam

REVISION:
A

SHEET:
1 of 1

SIZE:
A3

DATE:
21/11/2013



02BS09 BATTEN SEAM AT RIDGE

AMBROMETALS

www.ambrometals.com

Information contained in this drawing may not be reproduced or used for any purpose without express written permission from Ambro Metals Limited

Ambro Metals Ltd
PO Box 15599
New Lynn 0604
Auckland
New Zealand

Copyright © 2013 Ambro Metals Ltd

TITLE / PART NUMBER:

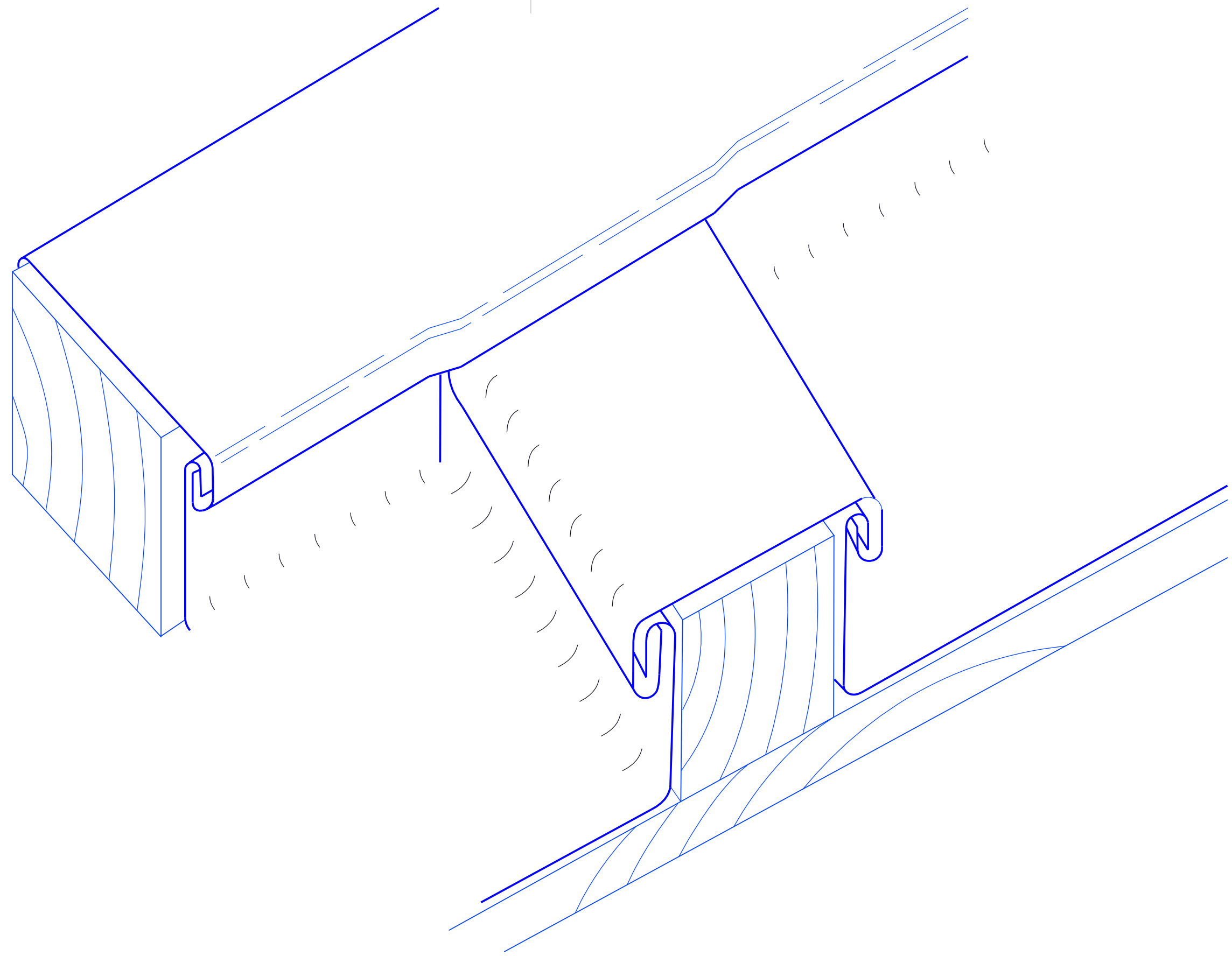
Section 3 - A Batten Seam
Batten Seam at Ridge

REVISION:
A

SHEET:
1 of 1

SIZE:
A3

DATE:
21/11/2013



02BS10 BATTEN SEAM AT RIDGE-ALT.

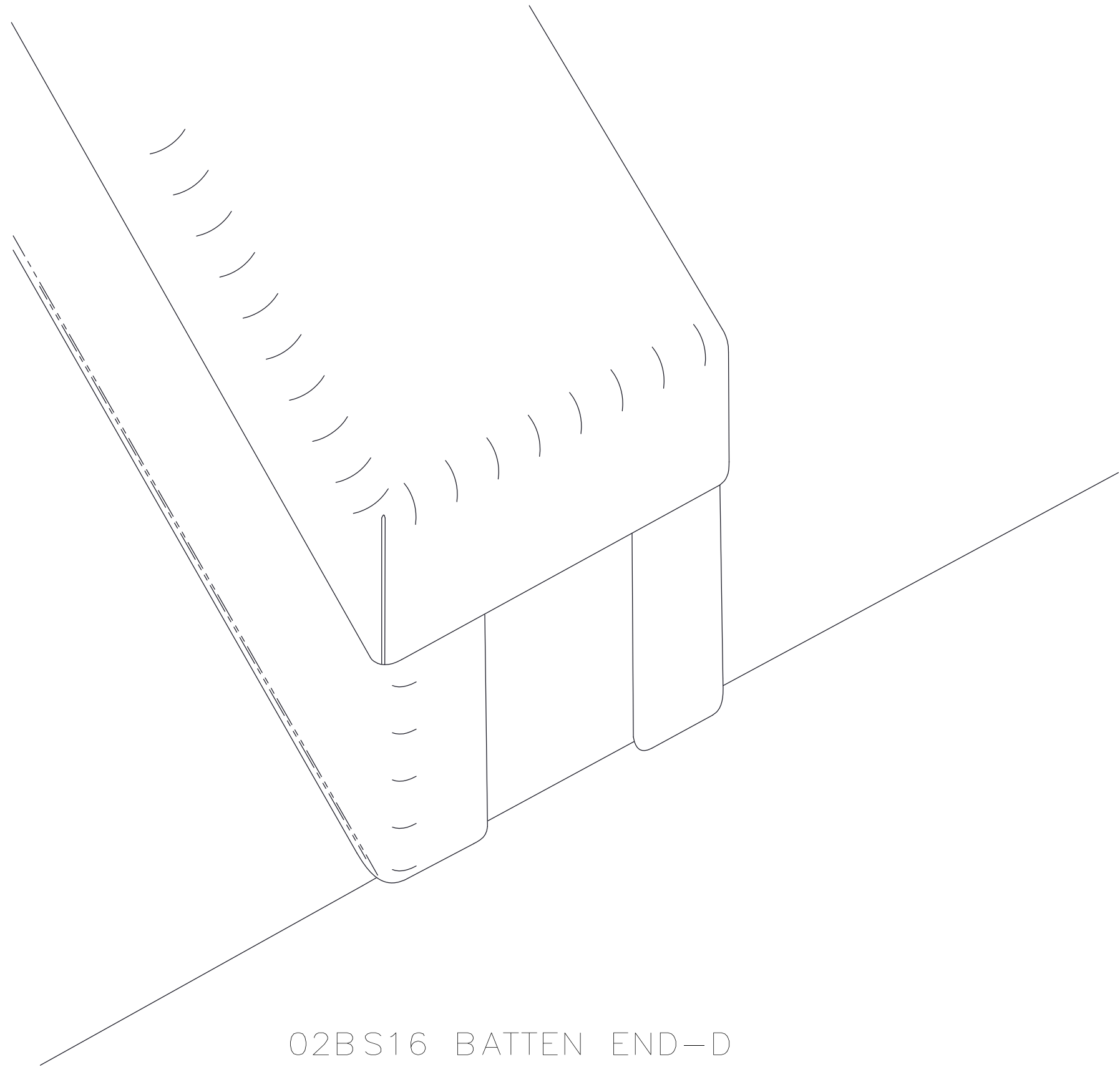
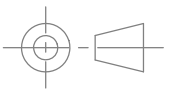
AMBROMETALS

Ambro Metals Ltd
PO Box 15599
New Lynn 0604
Auckland
New Zealand

www.ambrometals.com
Copyright © 2013 Ambro Metals Ltd
Information contained in this drawing may not be reproduced or used for any purpose without express written permission from Ambro Metals Limited

TITLE / PART NUMBER:
Section 3 - A Batten Seam
Batten Seam at Ridge Alt

REVISION: A	SHEET: 1 of 1	SIZE: A3	DATE: 21/11/2013
-----------------------	-------------------------	--------------------	----------------------------



02BS16 BATTEN END-D

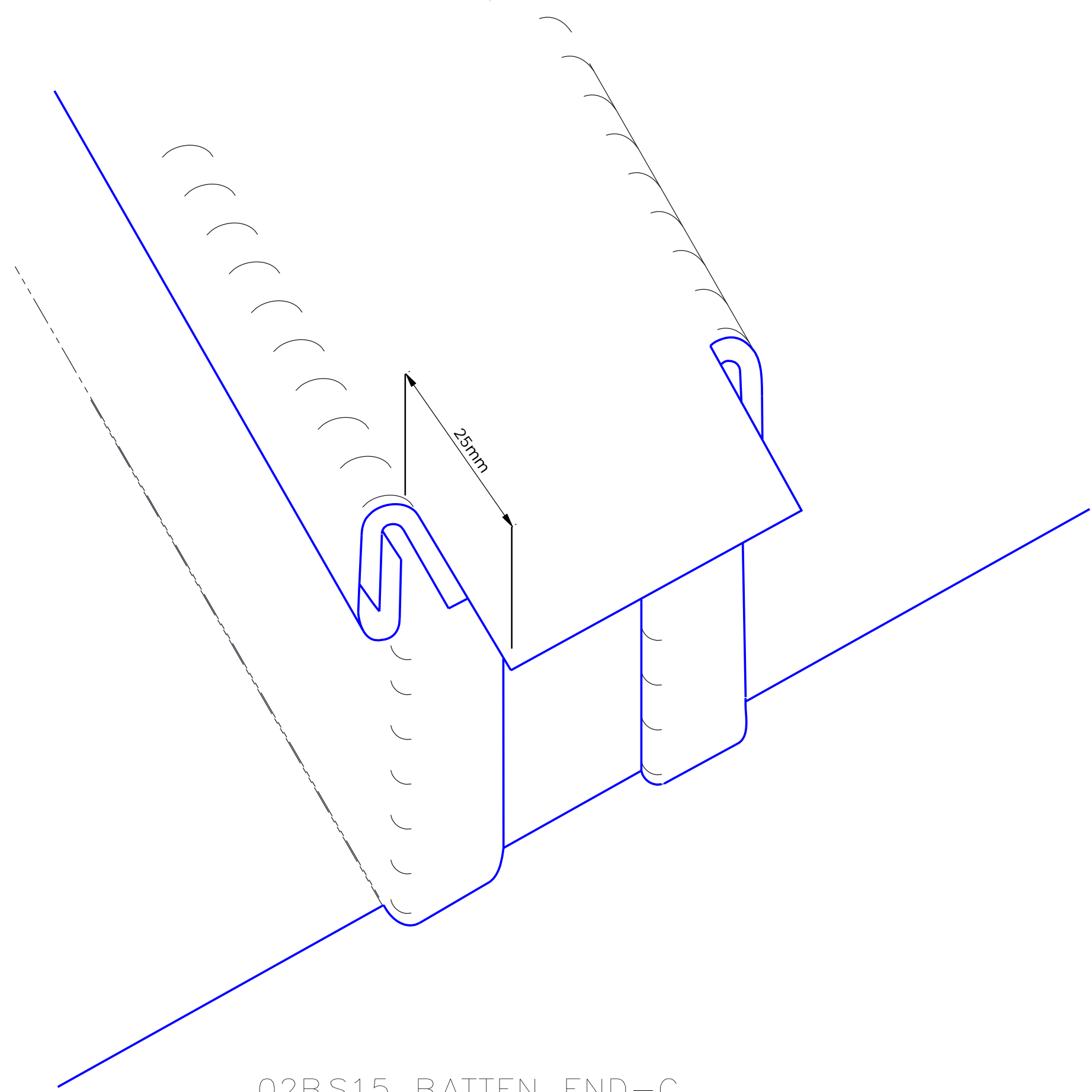
AMBROMETALS

Ambro Metals Ltd
PO Box 15599
New Lynn 0604
Auckland
New Zealand

www.ambrometals.com
Copyright © 2013 Ambro Metals Ltd
Information contained in this drawing may not be reproduced or used for any purpose without express written permission from Ambro Metals Limited

TITLE / PART NUMBER:
Section 3 - B Batten Seam
Batten End D

REVISION: A	SHEET: 1 of 1	SIZE: A3	DATE: 21/11/2013
-----------------------	-------------------------	--------------------	----------------------------



02BS15 BATTEN END-C

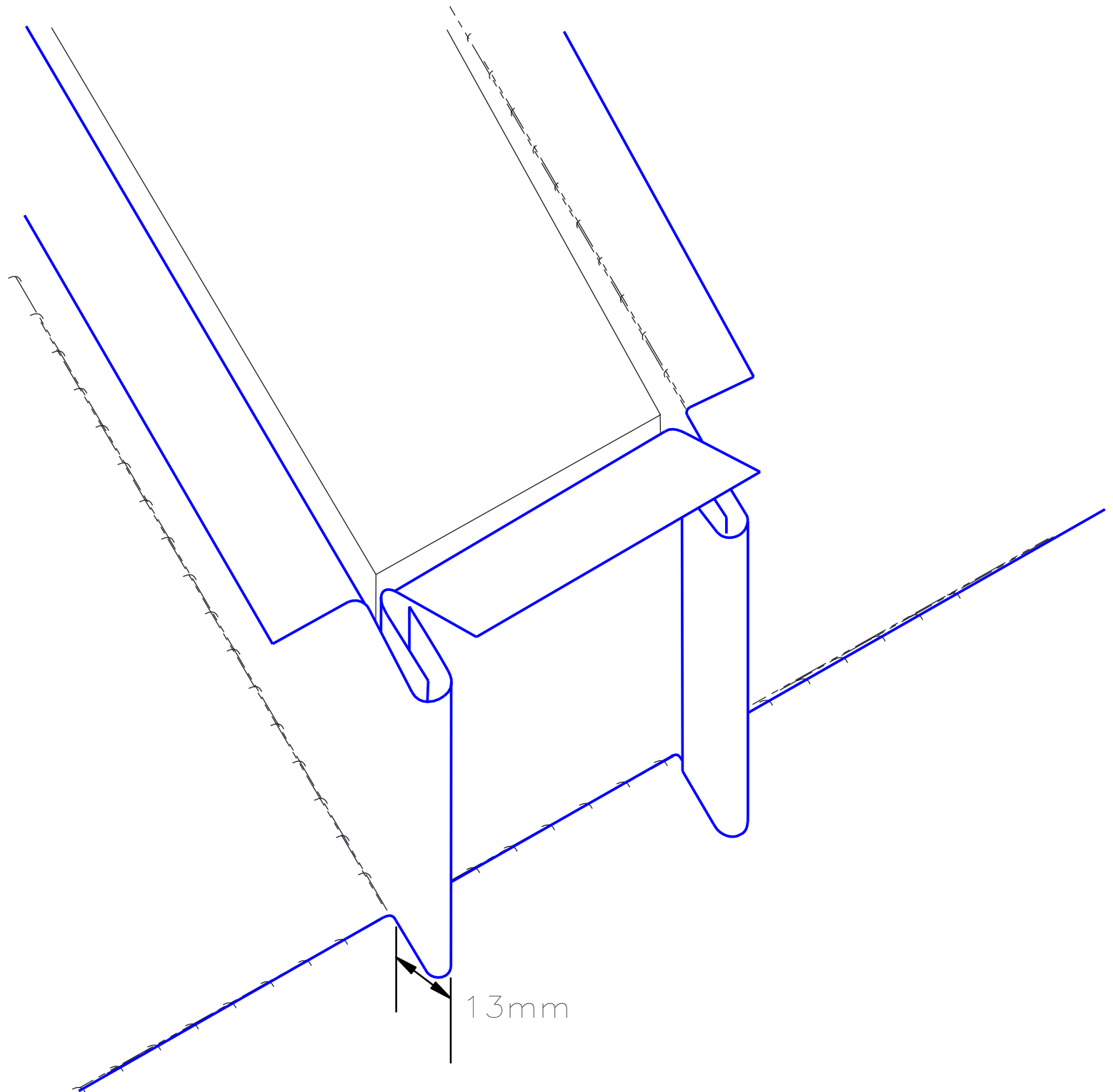
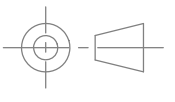
AMBROMETALS

Ambro Metals Ltd
PO Box 15599
New Lynn 0604
Auckland
New Zealand

www.ambrometals.com
Copyright © 2013 Ambro Metals Ltd
Information contained in this drawing may not be reproduced or used for any purpose without express written permission from Ambro Metals Limited

TITLE / PART NUMBER:
Section 3 - B Batten Seam
Batten End C

REVISION: A	SHEET: 1 of 1	SIZE: A3	DATE: 21/11/2013
-----------------------	-------------------------	--------------------	----------------------------



02BS14 BATTEN END-B

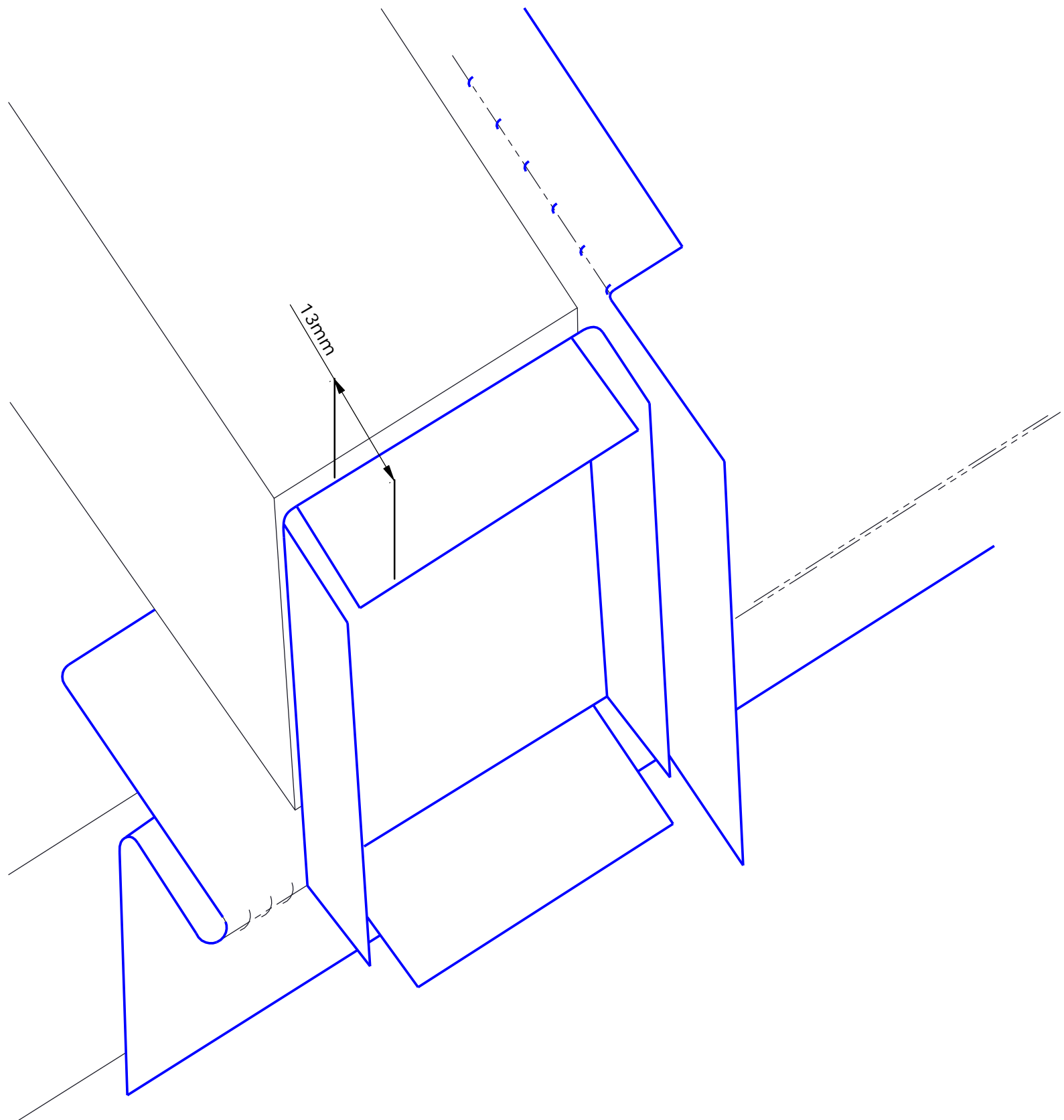
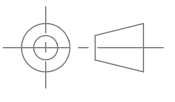
AMBROMETALS

Ambro Metals Ltd
PO Box 15599
New Lynn 0604
Auckland
New Zealand

www.ambrometals.com
Copyright © 2013 Ambro Metals Ltd
Information contained in this drawing may not be reproduced or used for any purpose without express written permission from Ambro Metals Limited

TITLE / PART NUMBER:
Section 3 - B Batten Seam
Batten End A

REVISION: A	SHEET: 1 of 1	SIZE: A3	DATE: 21/11/2013
-----------------------	------------------	--------------------	----------------------------



02BS13 BATTEN END-A

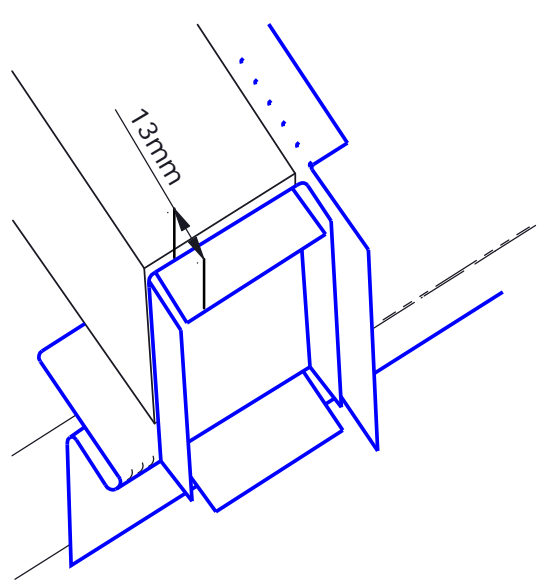


Ambro Metals Ltd
PO Box 15599
New Lynn 0604
Auckland
New Zealand

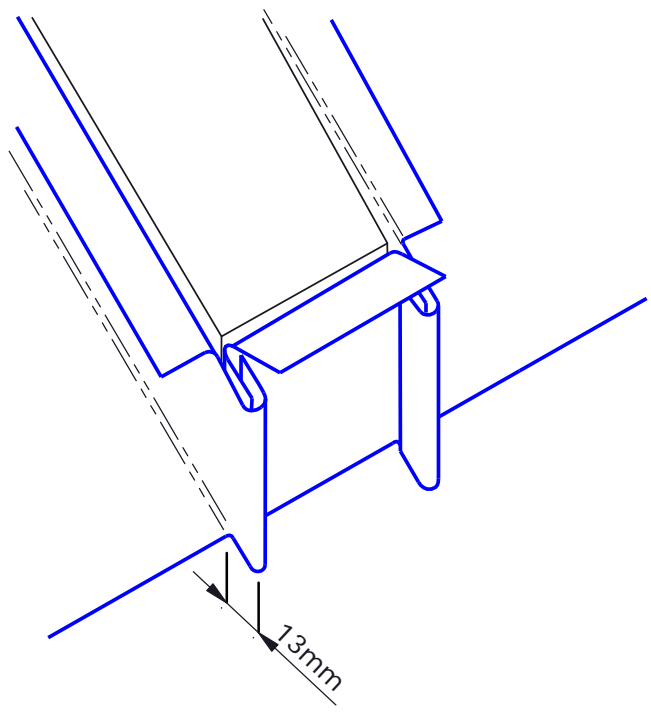
www.ambrometals.com
Copyright © 2013 Ambro Metals Ltd
Information contained in this drawing may not be reproduced or used for any purpose without express written permission from Ambro Metals Limited

TITLE / PART NUMBER:
Section 3 - B Batten Seam
Batten End A

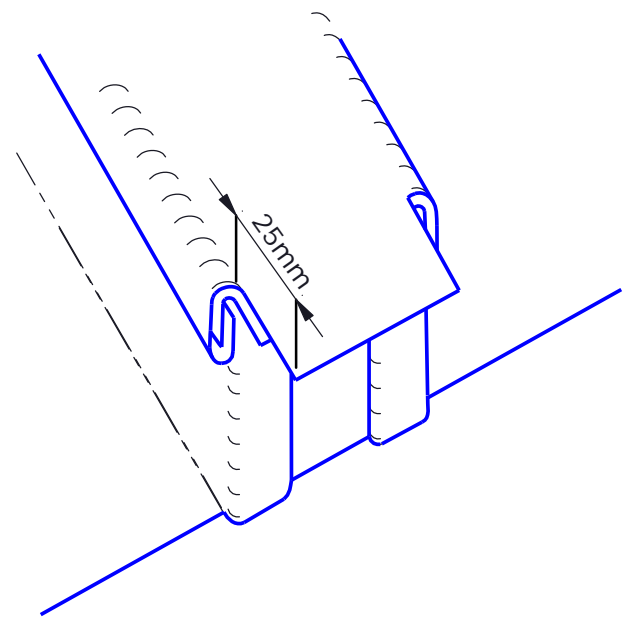
REVISION: A	SHEET: 1 of 1	SIZE: A3	DATE: 21/11/2013
----------------	------------------	-------------	---------------------



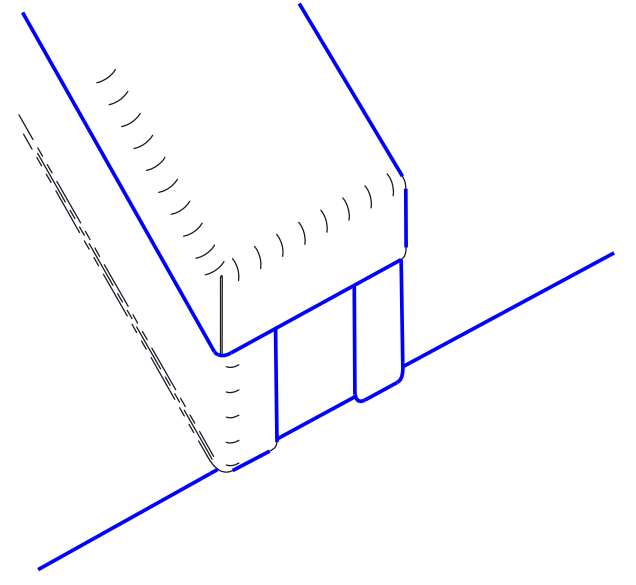
02BS13 BATTEN END-A



02BS14 BATTEN END-B



02BS15 BATTEN END-C



02BS16 BATTEN END-D

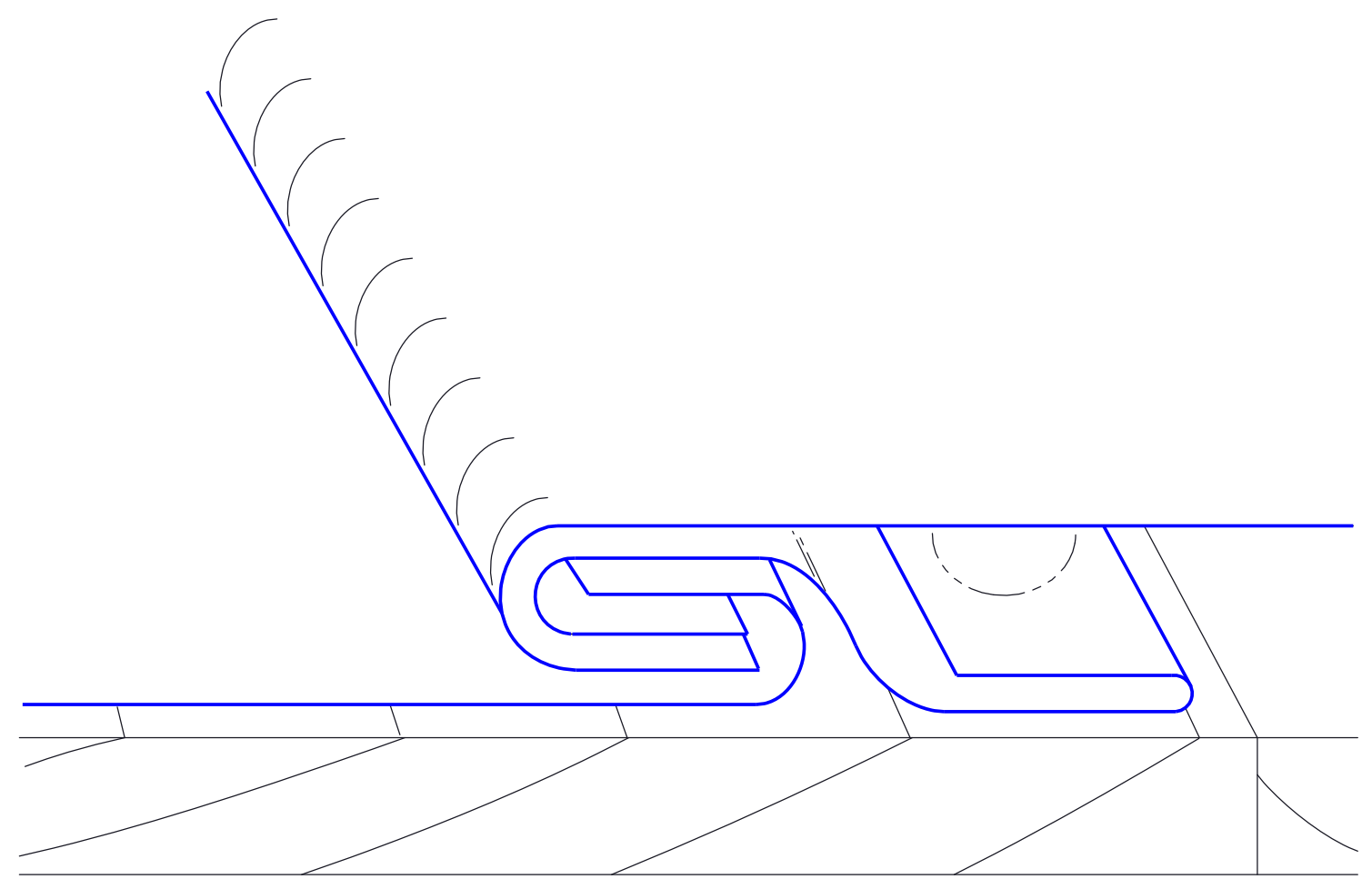
AMBROMETALS

Ambro Metals Ltd
PO Box 15599
New Lynn 0604
Auckland
New Zealand

www.ambrometals.com
Copyright © 2013 Ambro Metals Ltd
Information contained in this drawing may not be reproduced or used for any purpose without express written permission from Ambro Metals Limited

TITLE / PART NUMBER:
Section 3 - B Batten Seam
Batten End A Thru D

REVISION: A	SHEET: 1 of 1	SIZE: A3	DATE: 21/11/2013
-----------------------	-------------------------	--------------------	----------------------------



02FS04 INTERLOCKING OF SHEETS

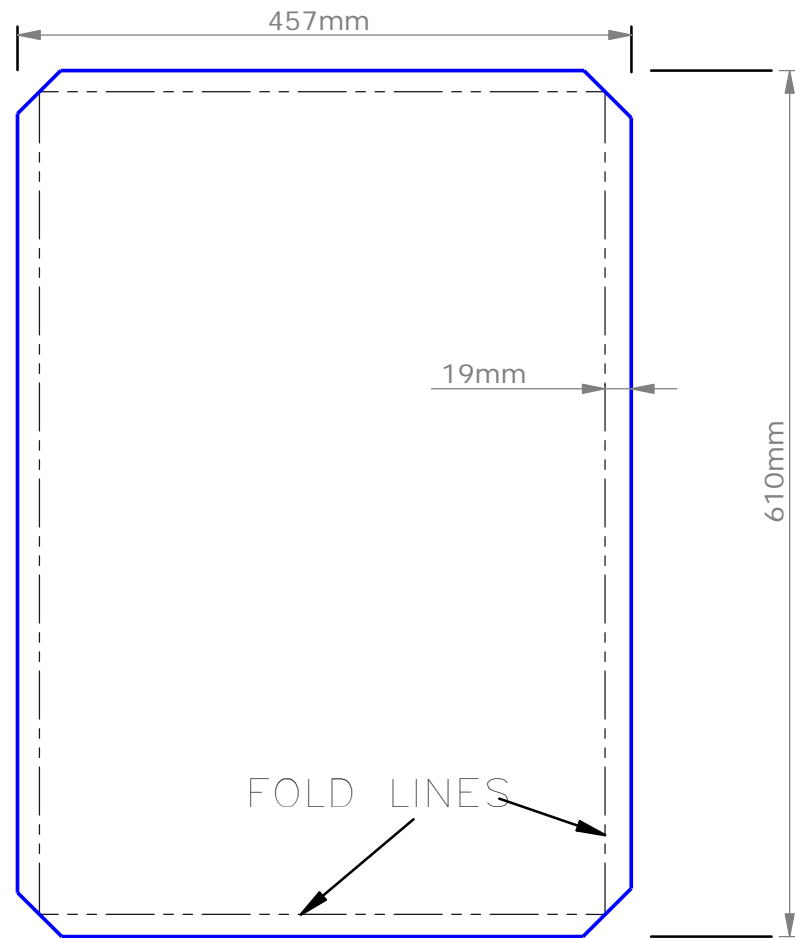
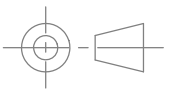


Ambro Metals Ltd
PO Box 15599
New Lynn 0604
Auckland
New Zealand

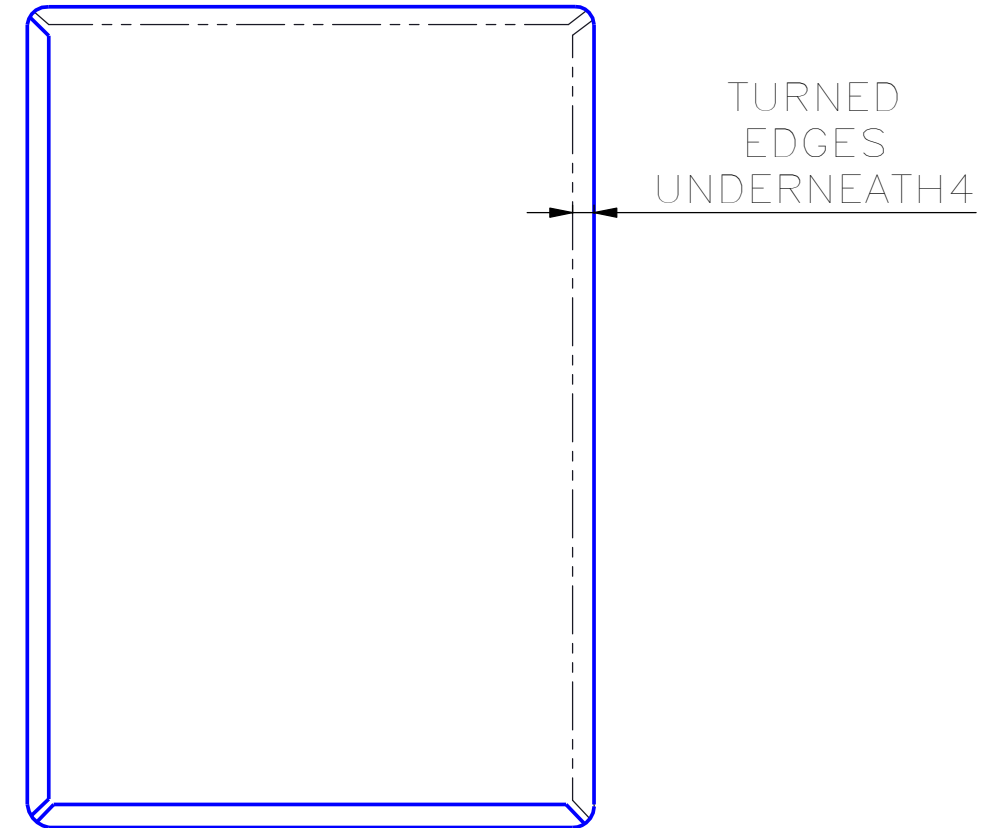
www.ambrometals.com
Copyright © 2013 Ambro Metals Ltd
Information contained in this drawing may not be reproduced or used for any purpose without express written permission from Ambro Metals Limited

TITLE / PART NUMBER:
Section 3 - C Flat Seam
Interlocking of Sheets

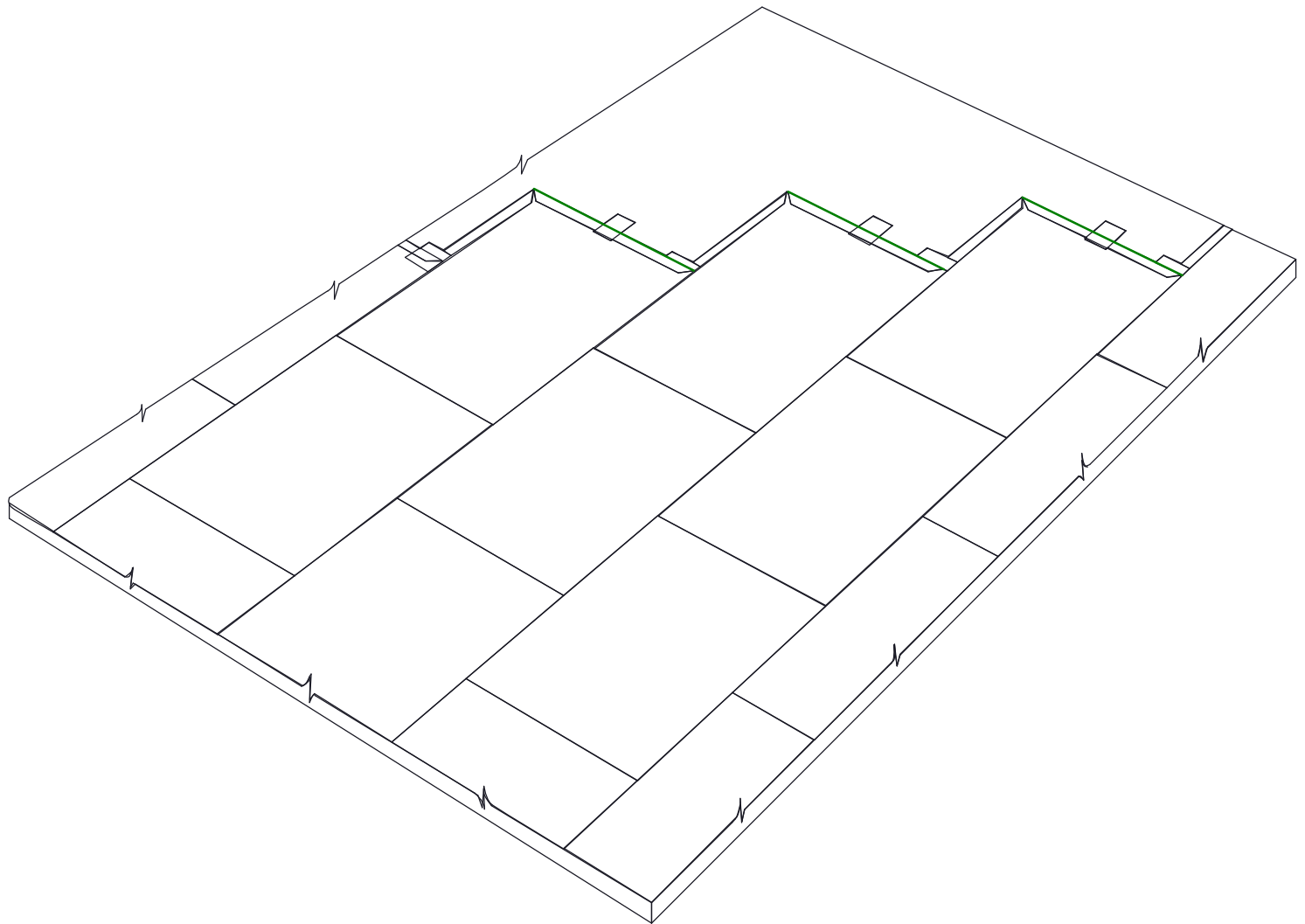
REVISION: A	SHEET: 1 of 1	SIZE: A3	DATE: 21/11/2013
-----------------------	-------------------------	--------------------	----------------------------



02FS02 FOLDING OF SHEETS-FLAT SHEET



02FS03 FOLDED SHEET



02FS01 FLAT SEAM—LOCKED AND SOLDERED ROOF

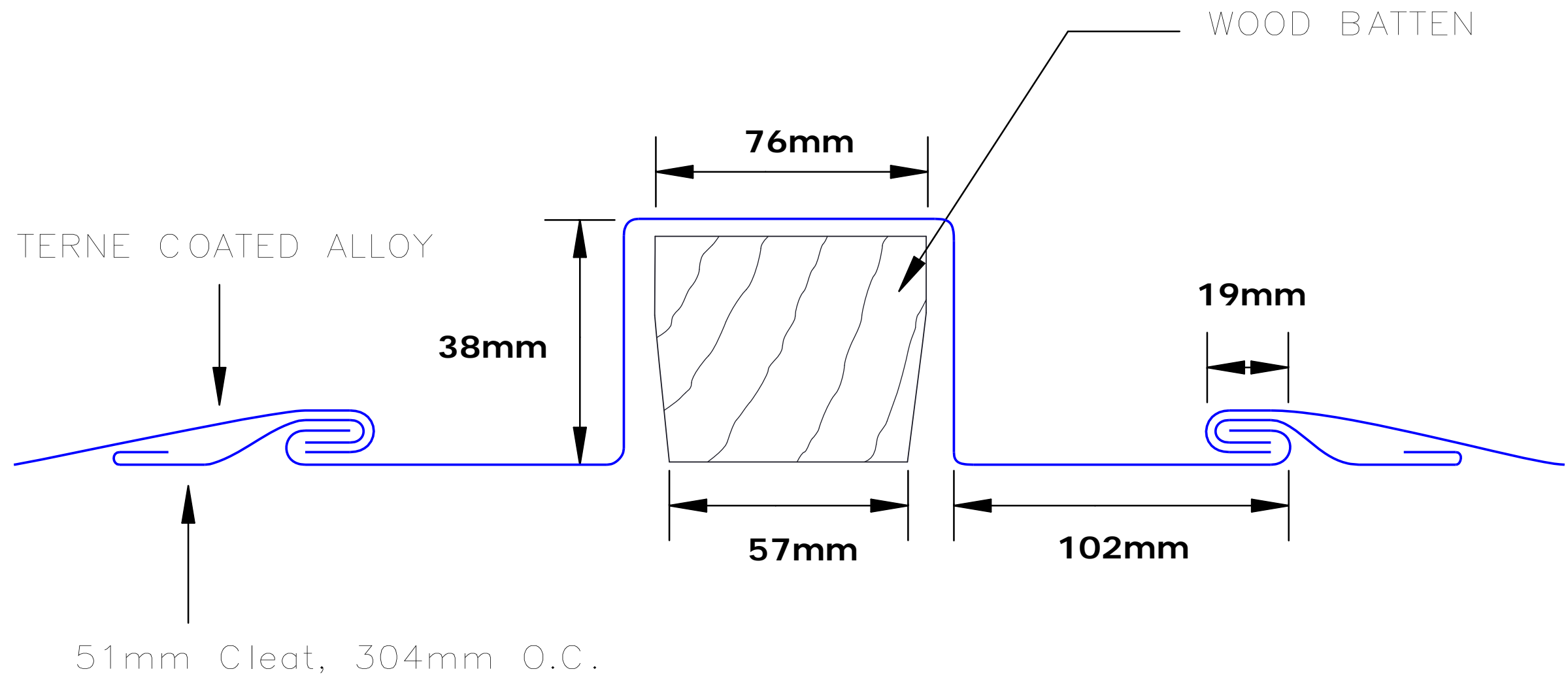
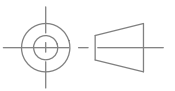


Ambro Metals Ltd
PO Box 15599
New Lynn 0604
Auckland
New Zealand

www.ambrometals.com
Copyright © 2013 Ambro Metals Ltd
Information contained in this drawing may not be reproduced or used for any purpose without express written permission from Ambro Metals Limited

TITLE / PART NUMBER:
Section 3 - C Flat Seam
Flat Seam - Locked and Soldered Roof

REVISION: A	SHEET: 1 of 1	SIZE: A3	DATE: 21/11/2013
-----------------------	-------------------------	--------------------	----------------------------



02FS09 EXPANSION BATTEN



Ambro Metals Ltd
PO Box 15599
New Lynn 0604
Auckland
New Zealand

www.ambrometals.com
Copyright © 2013 Ambro Metals Ltd
Information contained in this drawing may not be reproduced or used for any purpose without express written permission from Ambro Metals Limited

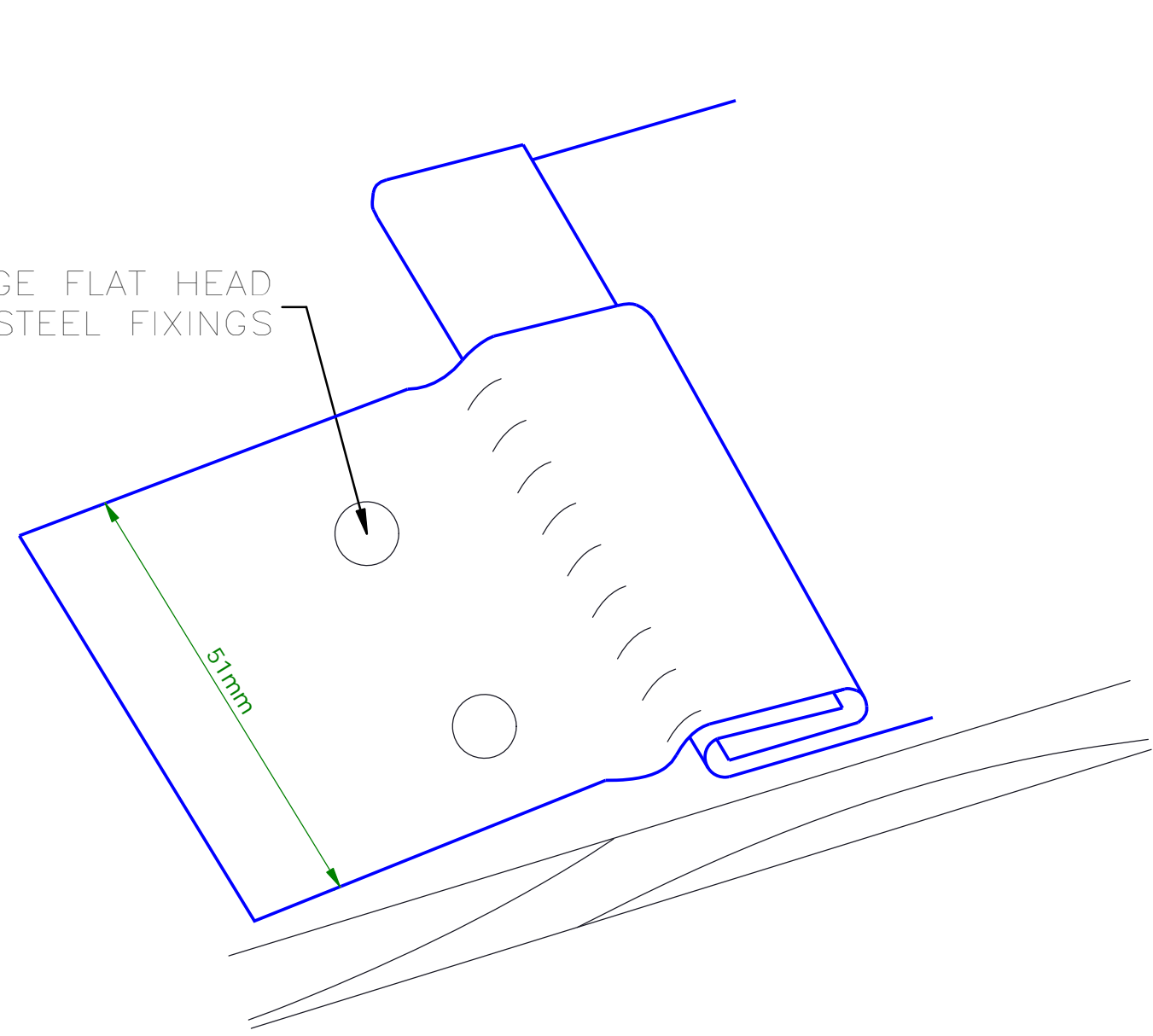
TITLE / PART NUMBER:
**Section 3 - C Flat Seam
Expansion Batten**

REVISION: A	SHEET: 1 of 1	SIZE: A3	DATE: 21/11/2013
-----------------------	-------------------------	--------------------	----------------------------

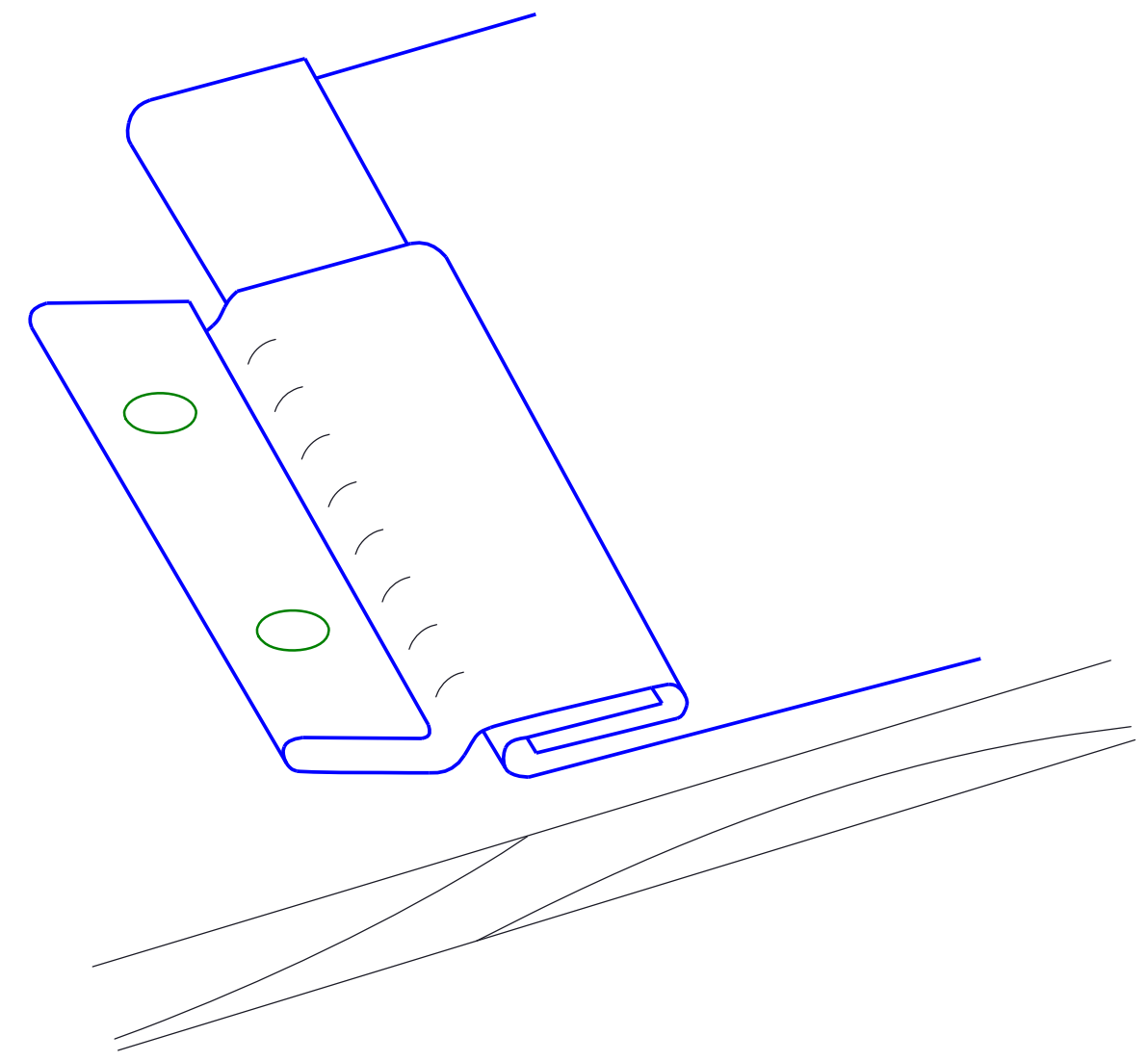


LARGE FLAT HEAD
STAINLESS STEEL FIXINGS

51mm



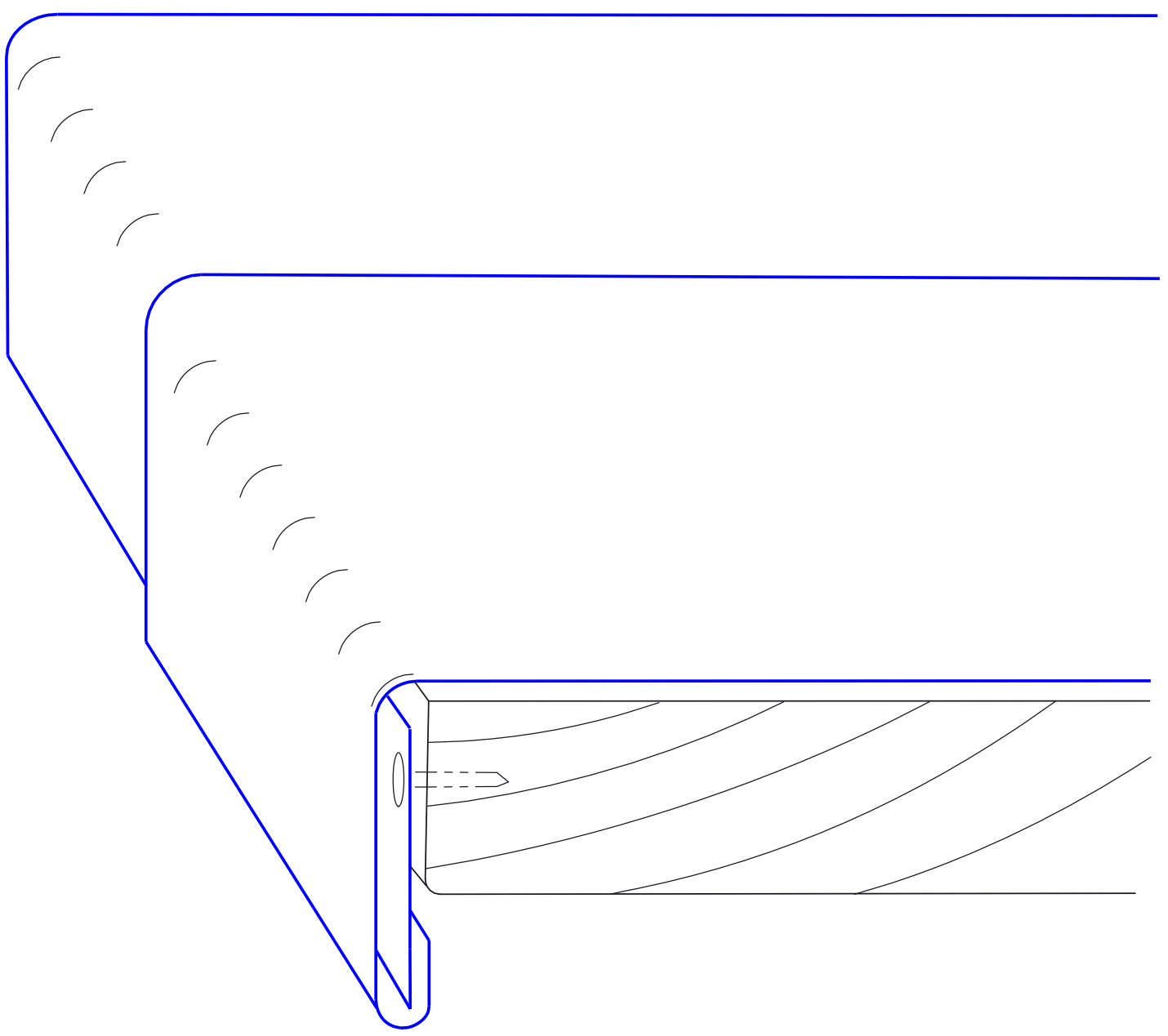
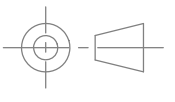
02FS05 CLEAT



02FS06 CLEAT

 Ambro Metals Ltd PO Box 15599 New Lynn 0604 Auckland New Zealand www.ambrometals.com	TITLE / PART NUMBER: Section 3 - C Flat Seam Cleat		
	REVISION: A	SHEET: 1 of 1	SIZE: A3

Copyright © 2013 Ambro Metals Ltd
Information contained in this drawing may not be reproduced or used for any purpose without express written permission from Ambro Metals Limited



02FS07 AT EAVES

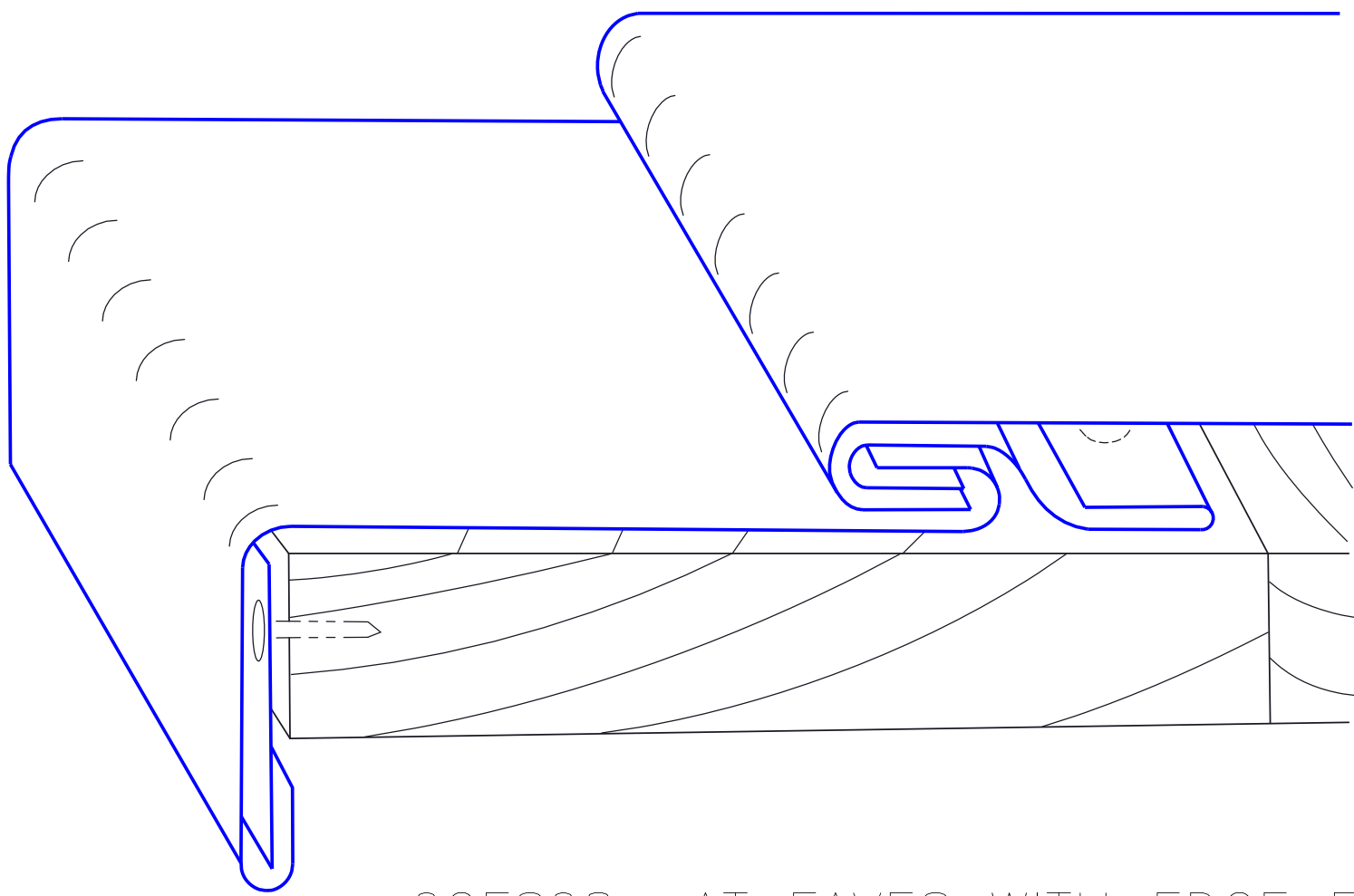
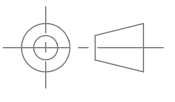
AMBROMETALS

Ambro Metals Ltd
PO Box 15599
New Lynn 0604
Auckland
New Zealand

www.ambrometals.com
Copyright © 2013 Ambro Metals Ltd
Information contained in this drawing may not be reproduced or used for any purpose without express written permission from Ambro Metals Limited

TITLE / PART NUMBER:
Section 3 - C Flat Seam
At Eaves

REVISION: A	SHEET: 1 of 1	SIZE: A3	DATE: 21/11/2013
-----------------------	-------------------------	--------------------	----------------------------



02FS08 AT EAVES WITH EDGE EXTENSION

AMBROMETALS

Ambro Metals Ltd
PO Box 15599
New Lynn 0604
Auckland
New Zealand

www.ambrometals.com
Copyright © 2013 Ambro Metals Ltd
Information contained in this drawing may not be reproduced or used for any purpose without express written permission from Ambro Metals Limited

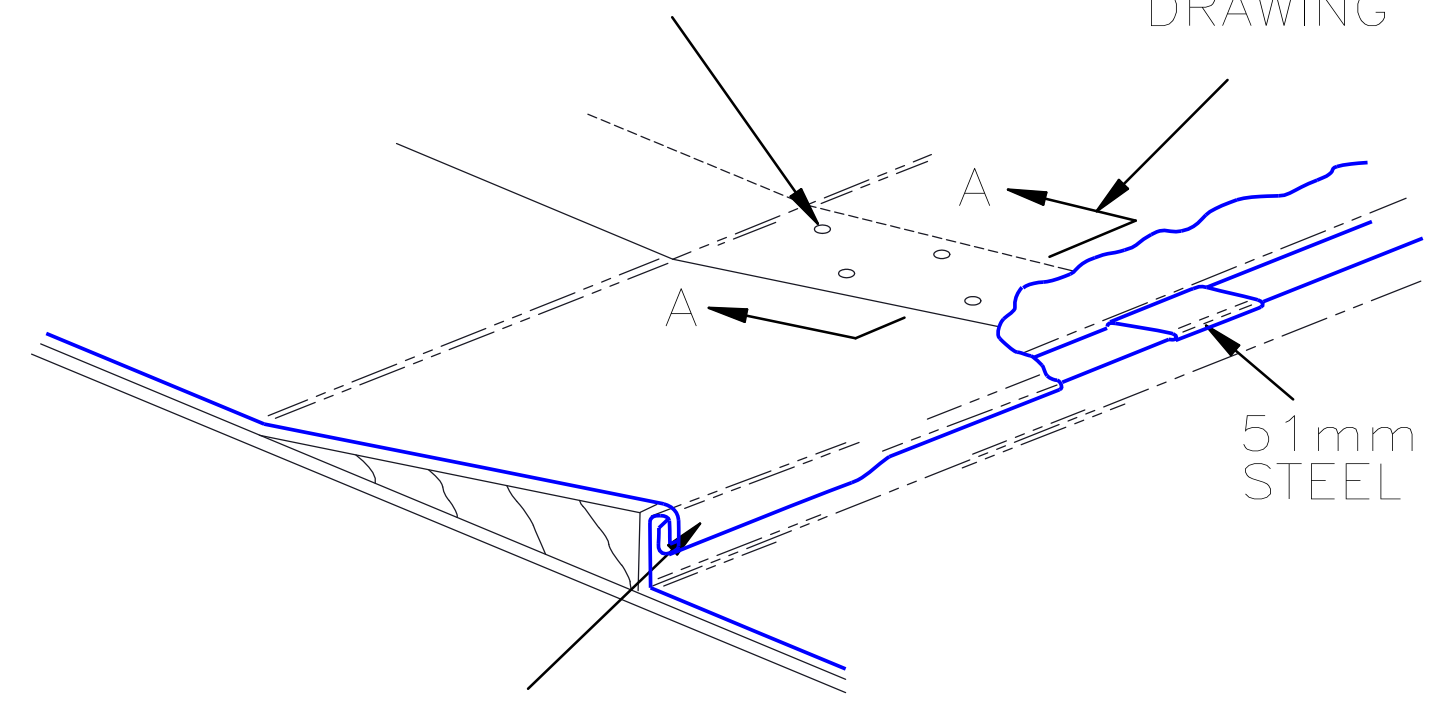
TITLE / PART NUMBER:
Section 3 - C Flat Seam
At Eaves with Edge Extension

REVISION: A	SHEET: 1 of 1	SIZE: A3	DATE: 21/11/2013
-----------------------	-------------------------	--------------------	----------------------------



5mm DIA. RIVETS
76mm O.C. STAGGERED

REFER TO
DRAWING 02HS11

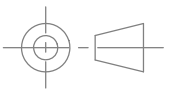


51mm WIDE STAINLESS
STEEL CLEATS

19mm LOCK

02HS10 TRANSVERSE SEAM WITH HORIZONTAL CANT

 Ambro Metals Ltd PO Box 15599 New Lynn 0604 Auckland New Zealand www.ambrometals.com Copyright © 2013 Ambro Metals Ltd Information contained in this drawing may not be reproduced or used for any purpose without express written permission from Ambro Metals Limited	TITLE / PART NUMBER: Section 3 - D Var Horizontal Seam Transverse Seam with Horizontal Cant	
	REVISION: A	SHEET: 1 of 1
		DATE: 21/11/2013



TOP OF BATTEN
25mm HIGHER
THAN NAILER

VALLEY BATTEN

51mm WIDE
STAINLESS STEEL
CLEATS 304mm
O.C.

SOLDER TAB TO BACK
OF UPSTANDING LEG

VERTICAL
BATTEN

02HS03 STEEP PITCH HORIZONTAL SEAM



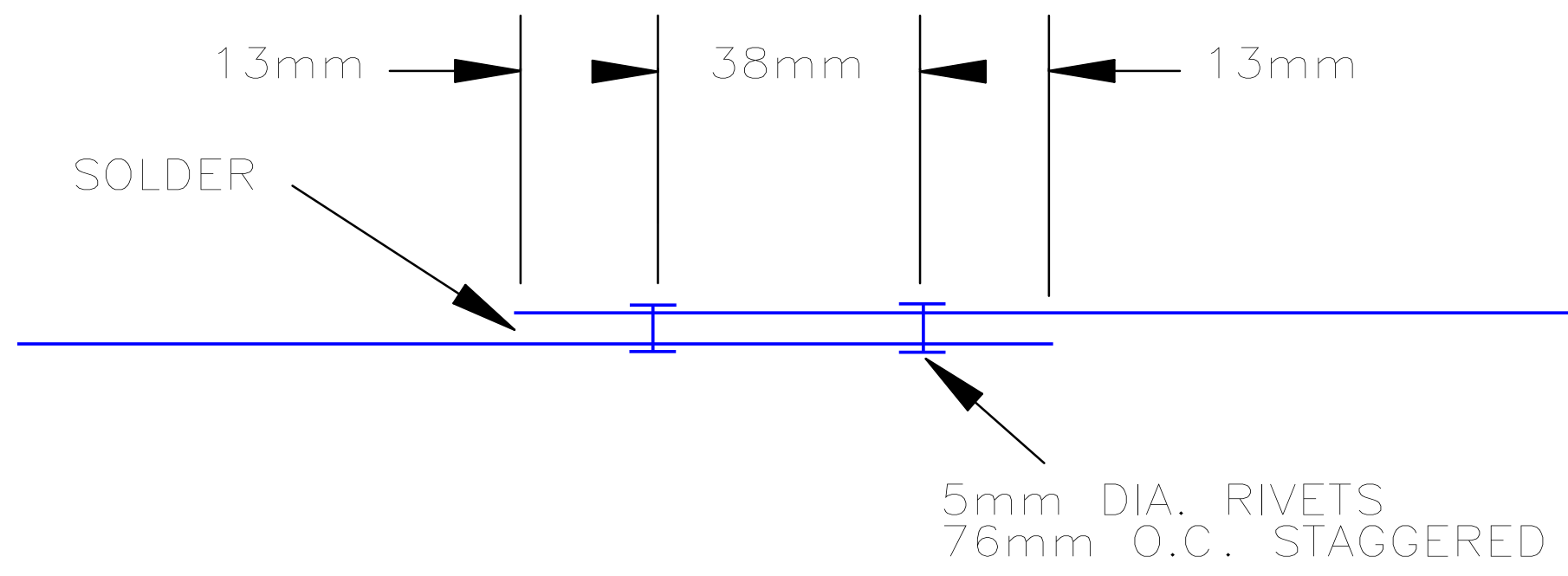
Ambro Metals Ltd
PO Box 15599
New Lynn 0604
Auckland
New Zealand

TITLE / PART NUMBER:
Section 3 - D Var Horizontal Seam
Steep Pitch Horizontal Seam

www.ambrometals.com
Information contained in this drawing may not be reproduced or used for any purpose without express written permission from Ambro Metals Limited

Copyright © 2013 Ambro Metals Ltd

REVISION: A	SHEET: 1 of 1	SIZE: A3	DATE: 21/11/2013
-----------------------	------------------	-------------	---------------------



02HS11 SECTION A-A



Ambro Metals Ltd
PO Box 15599
New Lynn 0604
Auckland
New Zealand

www.ambrometals.com
Copyright © 2013 Ambro Metals Ltd
Information contained in this drawing may not be reproduced or used for any purpose without express written permission from Ambro Metals Limited

TITLE / PART NUMBER:
Section 3 - D Var Horizontal Seam
Section A

REVISION: A	SHEET: 1 of 1	SIZE: A3	DATE: 21/11/2013
-----------------------	-------------------------	--------------------	----------------------------

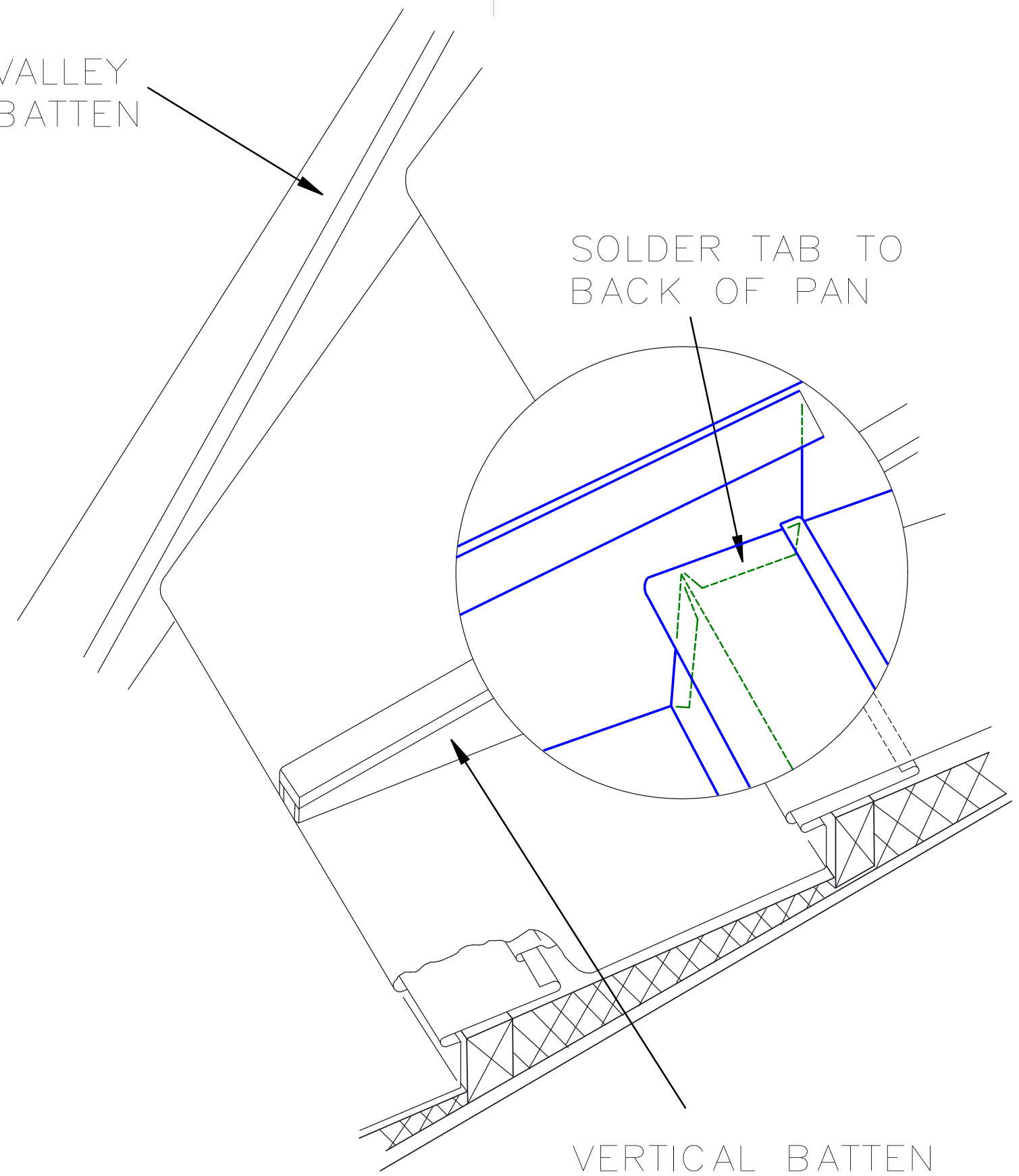


VALLEY
BATTEN

SOLDER TAB TO
BACK OF PAN

VERTICAL BATTEN

02HS05 LOW PITCH HORIZONTAL SEAM



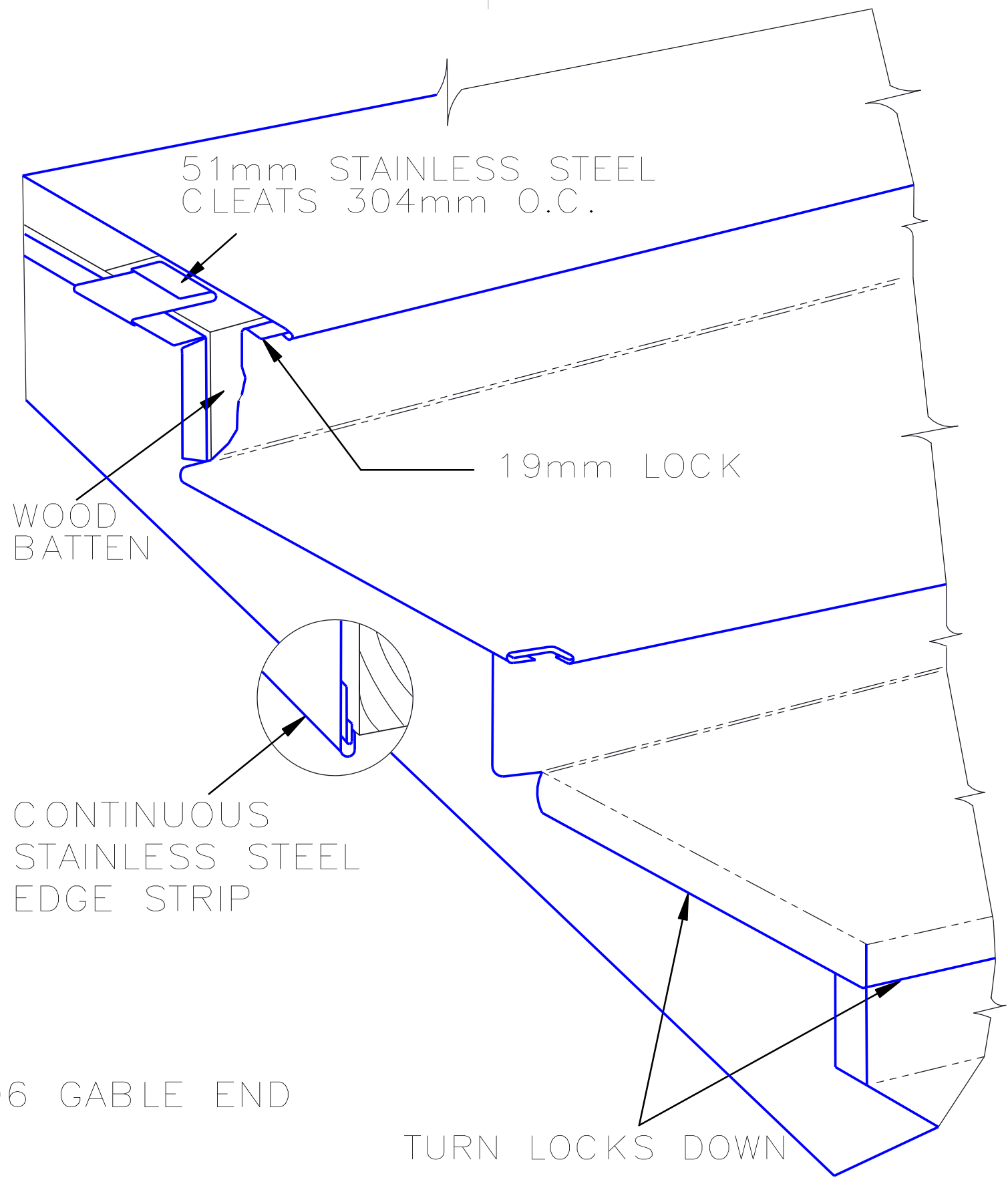
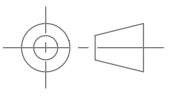
AMBROMETALS

www.ambrometals.com
Information contained in this drawing may not be reproduced or used for any purpose without express written permission from Ambro Metals Limited

Ambro Metals Ltd
PO Box 15599
New Lynn 0604
Auckland
New Zealand

TITLE / PART NUMBER:
Section 3 - D Var Horizontal Seam
Steep Pitch Horizontal Seam

REVISION: A	SHEET: 1 of 1	SIZE: A3	DATE: 21/11/2013
-----------------------	-------------------------	--------------------	----------------------------



02HS06 GABLE END

TURN LOCKS DOWN

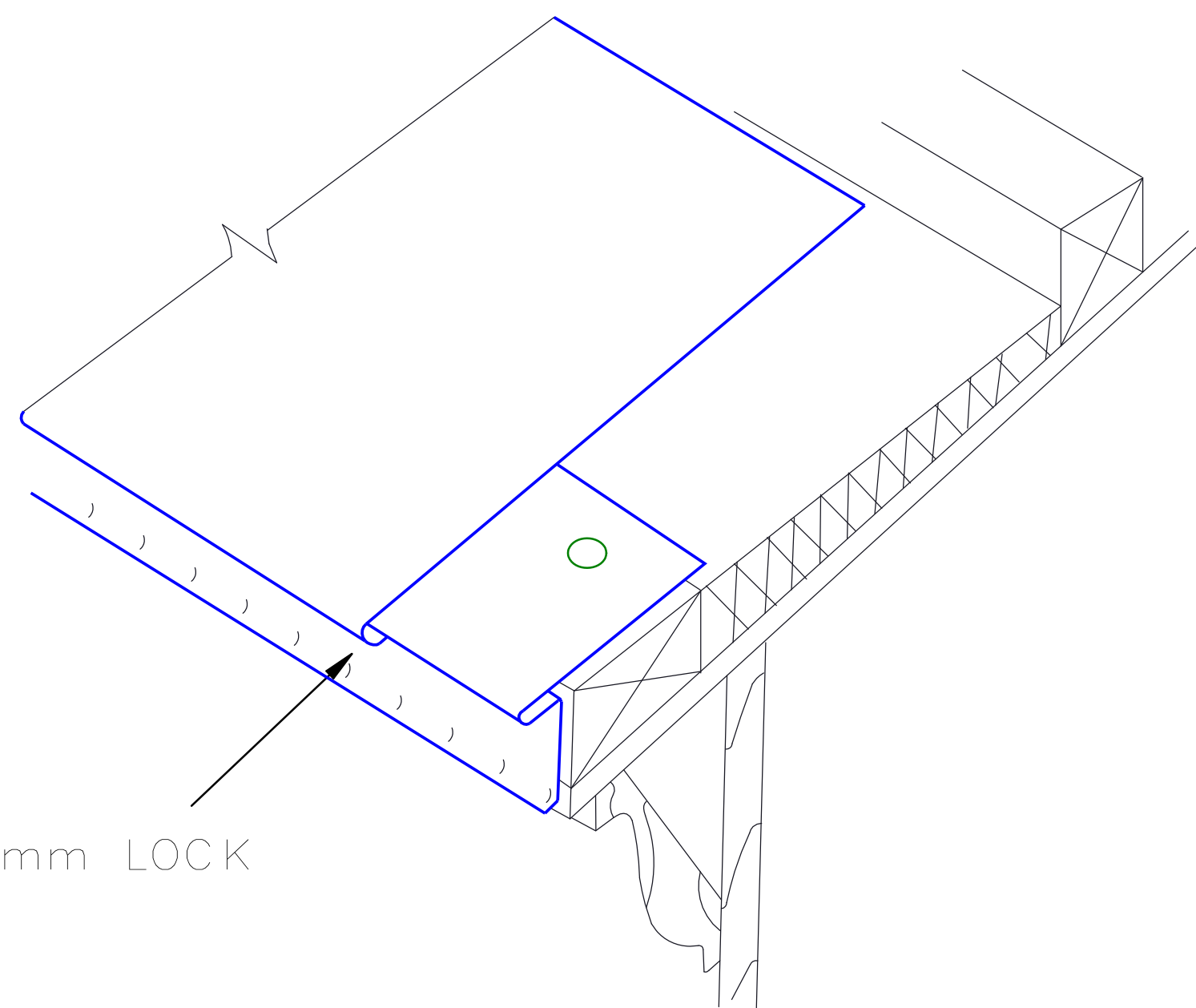
AMBROMETALS

Ambro Metals Ltd
PO Box 15599
New Lynn 0604
Auckland
New Zealand

TITLE / PART NUMBER:
Section 3 - D Var Horizontal Seam
Gable End

www.ambrometals.com
Information contained in this drawing may not be reproduced or used for any purpose without express written permission from Ambro Metals Limited

REVISION: A	SHEET: 1 of 1	SIZE: A3	DATE: 22/11/2013
-----------------------	-------------------------	--------------------	----------------------------



19mm LOCK

02HS07 EDGE STRIP

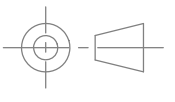
AMBROMETALS

Ambro Metals Ltd
PO Box 15599
New Lynn 0604
Auckland
New Zealand

www.ambrometals.com
Copyright © 2013 Ambro Metals Ltd
Information contained in this drawing may not be reproduced or used for any purpose without express written permission from Ambro Metals Limited

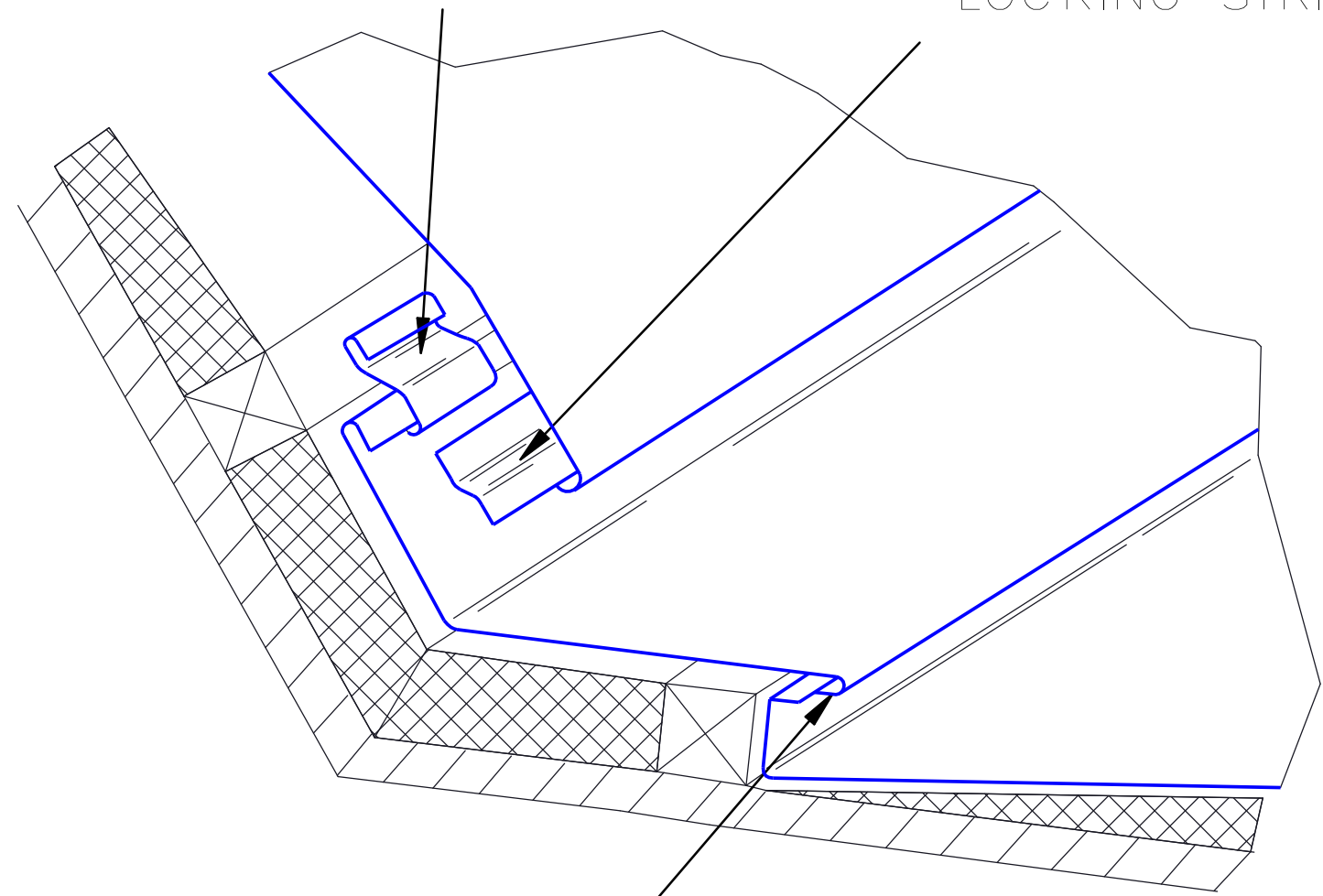
TITLE / PART NUMBER:
**Section 3 - D Var Horizontal Seam
Edge Strip**

REVISION: A	SHEET: 1 of 1	SIZE: A3	DATE: 21/11/2013
-----------------------	-------------------------	--------------------	----------------------------



51mm WIDE STAINLESS STEEL
CLEATS 304mm O.C.

CONTINUOUS
LOCKING STRIP



19mm LOCK

02HS09 CHANGE OF ROOF SLOPE WITHOUT STEP AT CHANGE OF SLOPE

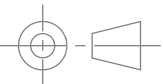
AMBROMETALS

Ambro Metals Ltd
PO Box 15599
New Lynn 0604
Auckland
New Zealand

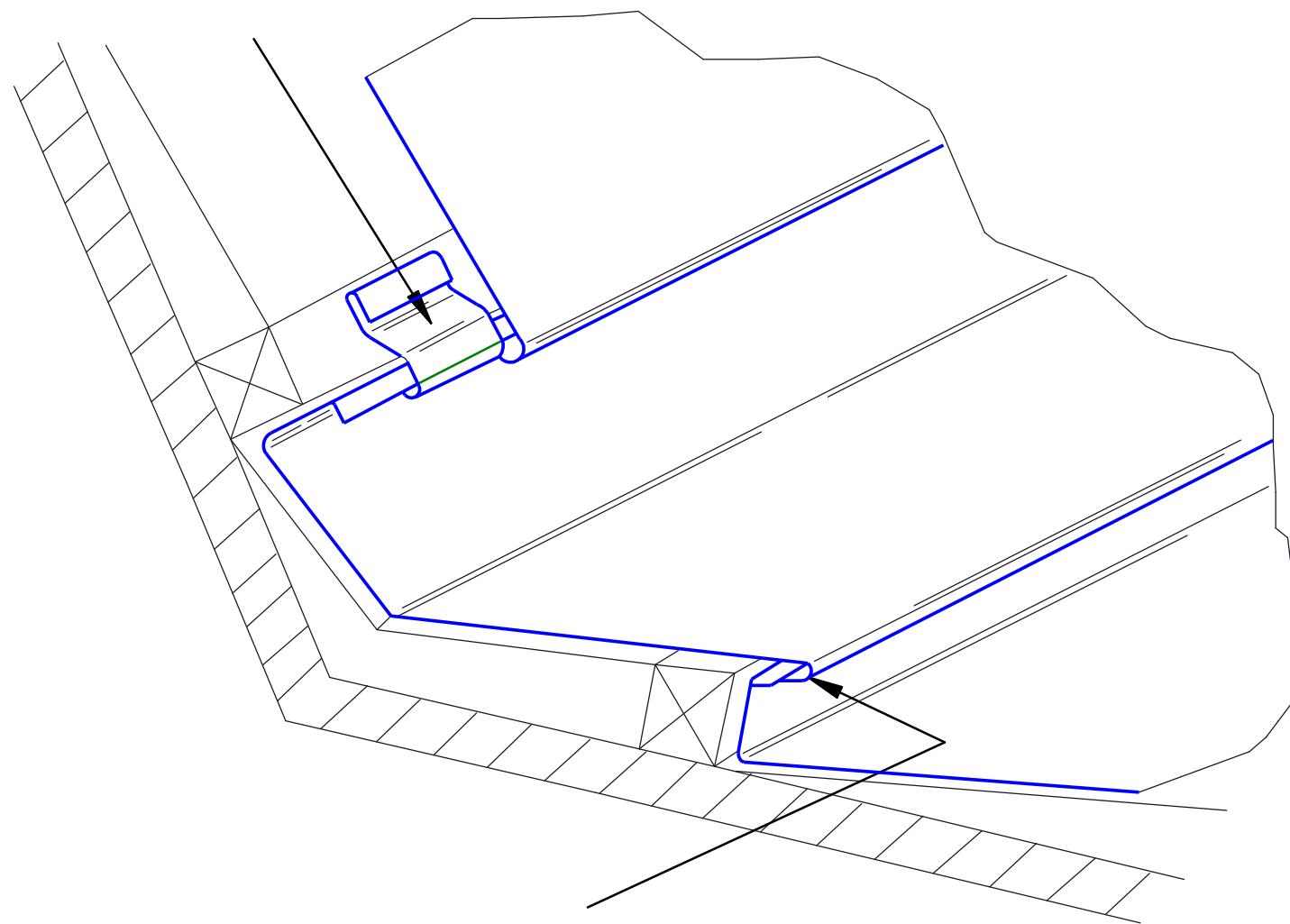
www.ambrometals.com
Copyright © 2013 Ambro Metals Ltd
Information contained in this drawing may not be reproduced or used for any purpose without express written permission from Ambro Metals Limited

TITLE / PART NUMBER:
Section 3 - D Var Horizontal Seam
Change of Roof Slope without Step

REVISION: A	SHEET: 1 of 1	SIZE: A3	DATE: 21/11/2013
-----------------------	------------------	--------------------	----------------------------



51mm WIDE STAINLESS
STEEL 304mm O.C.



19mm LOCK

02HS08 CHANGE OF ROOF SLOPE WITH STEP AT CHANGE OF SLOPE

AMBROMETALS

www.ambrometals.com

Information contained in this drawing may not be reproduced or used for any purpose without express written permission from Ambro Metals Limited

Ambro Metals Ltd
PO Box 15599
New Lynn 0604
Auckland
New Zealand

Copyright © 2013 Ambro Metals Ltd

TITLE / PART NUMBER:

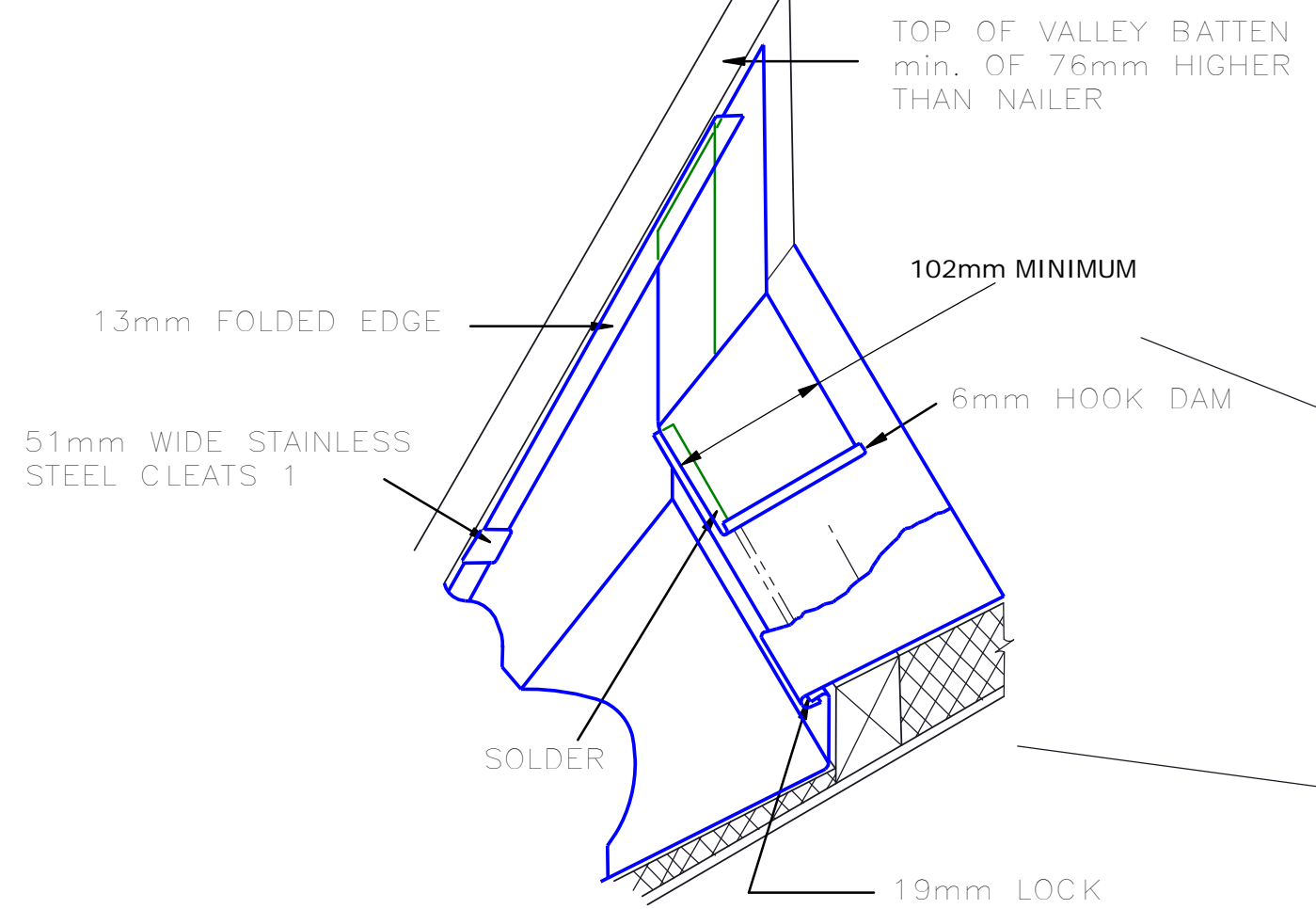
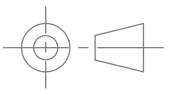
Section 3 - D Var Horizontal Seam
Change of Roof Slope with Step

REVISION:
A

SHEET:
1 of 1

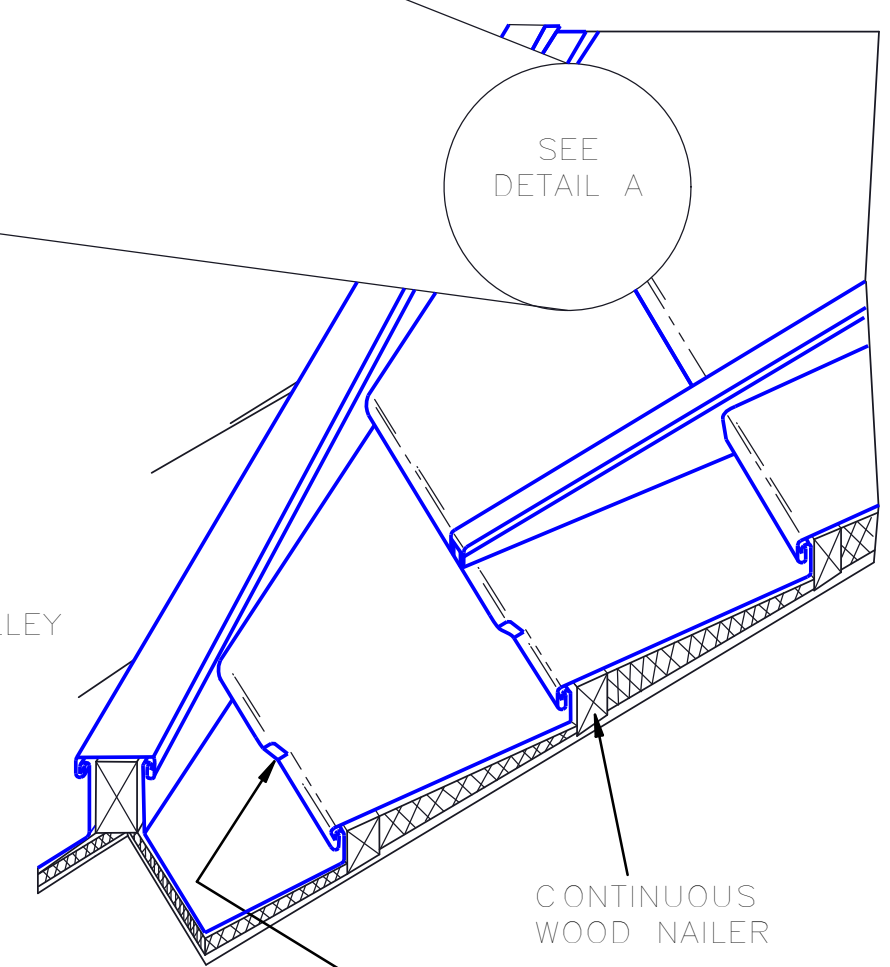
SIZE:
A3

DATE:
21/11/2013

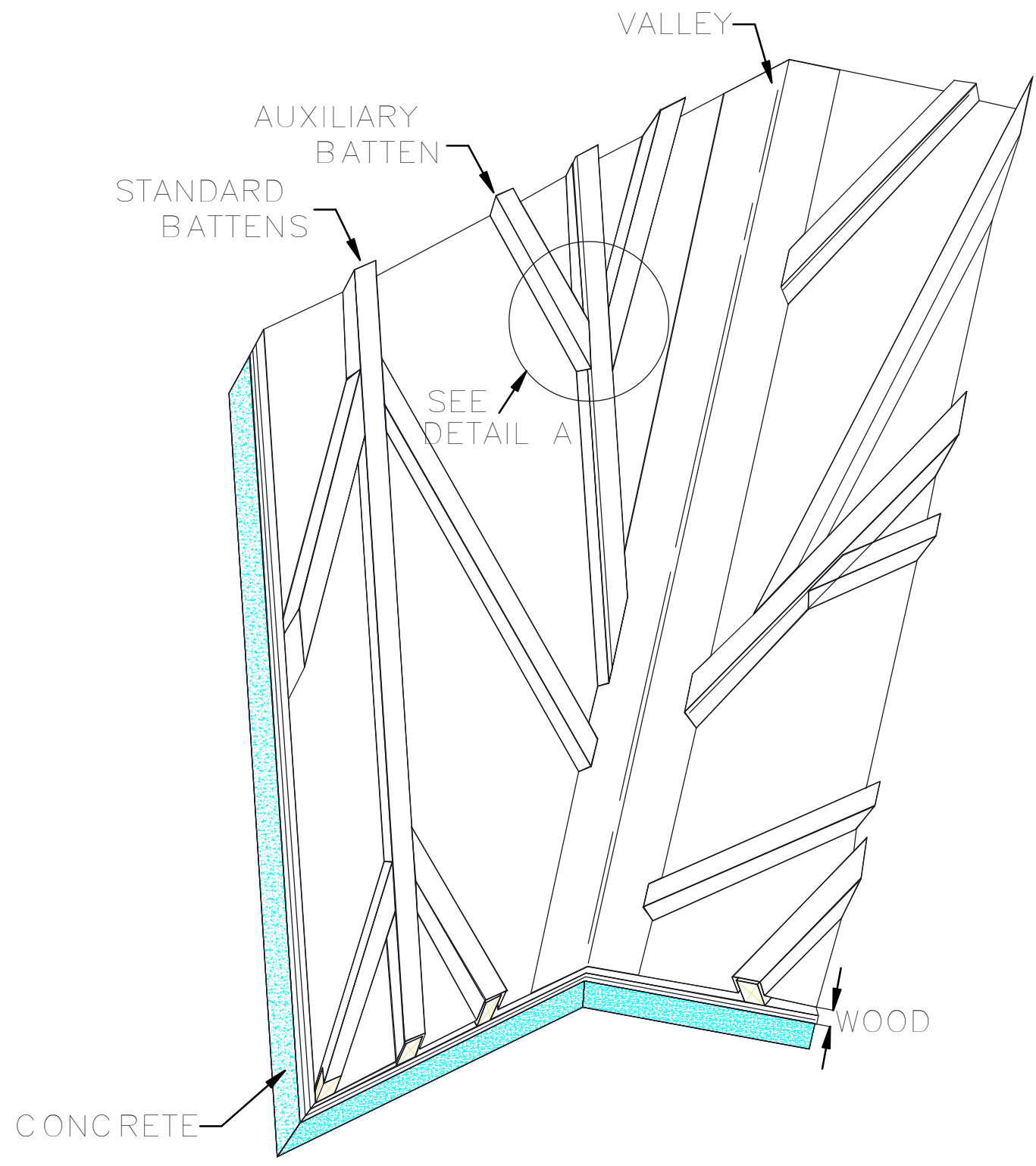


02HS04 DETAIL A

02HS02 VALLEY



TURN LOCK DOWN AGAINST NAILER APPROX. 152mm FROM BATTEN



02CD05 VALLEY

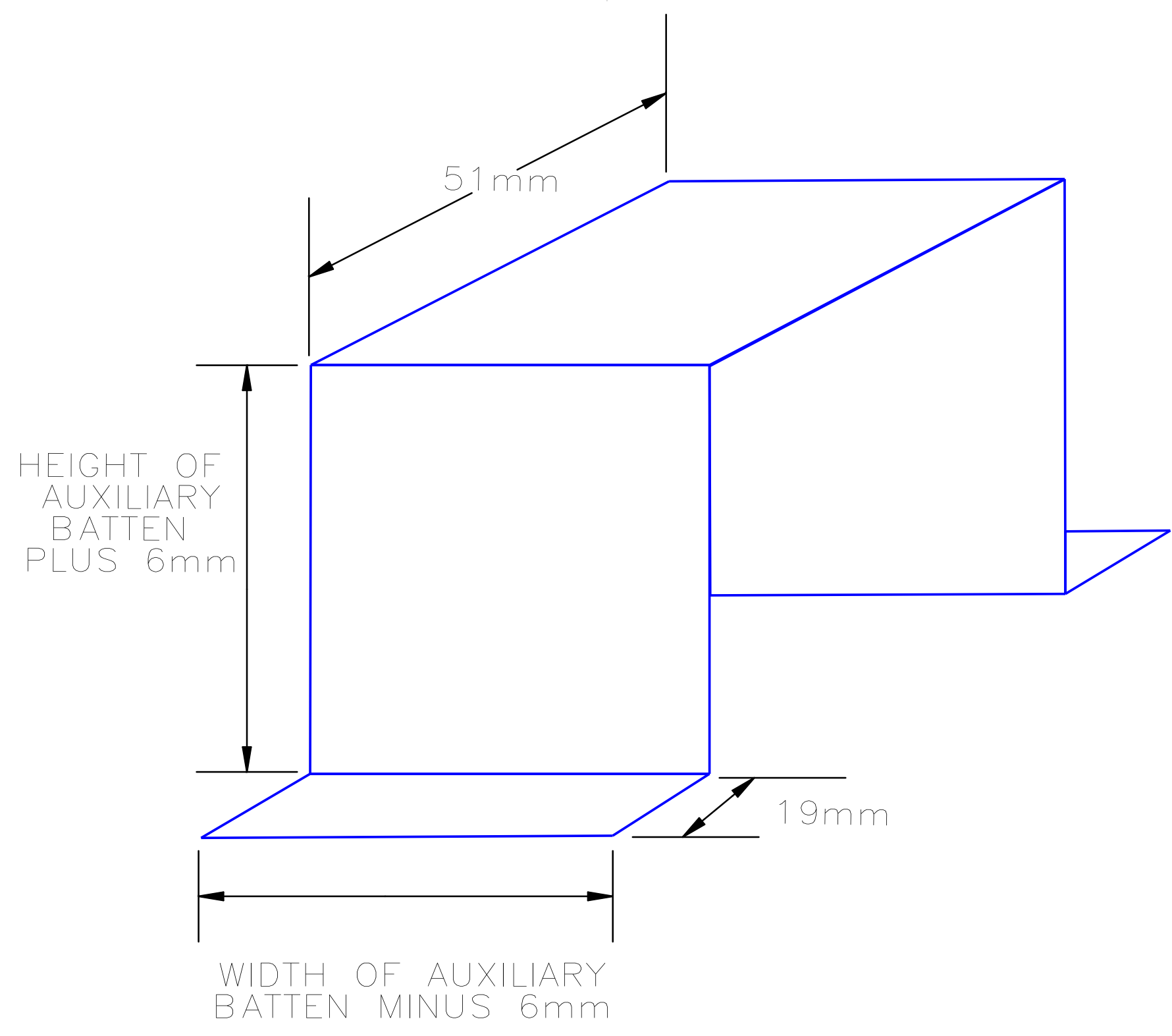
AMBROMETALS

Ambro Metals Ltd
 PO Box 15599
 New Lynn 0604
 Auckland
 New Zealand

www.ambrometals.com
 Copyright © 2013 Ambro Metals Ltd
 Information contained in this drawing may not be reproduced or used for any purpose without express written permission from Ambro Metals Limited

TITLE / PART NUMBER:
Section 3 - E Chevron Design
 Valley

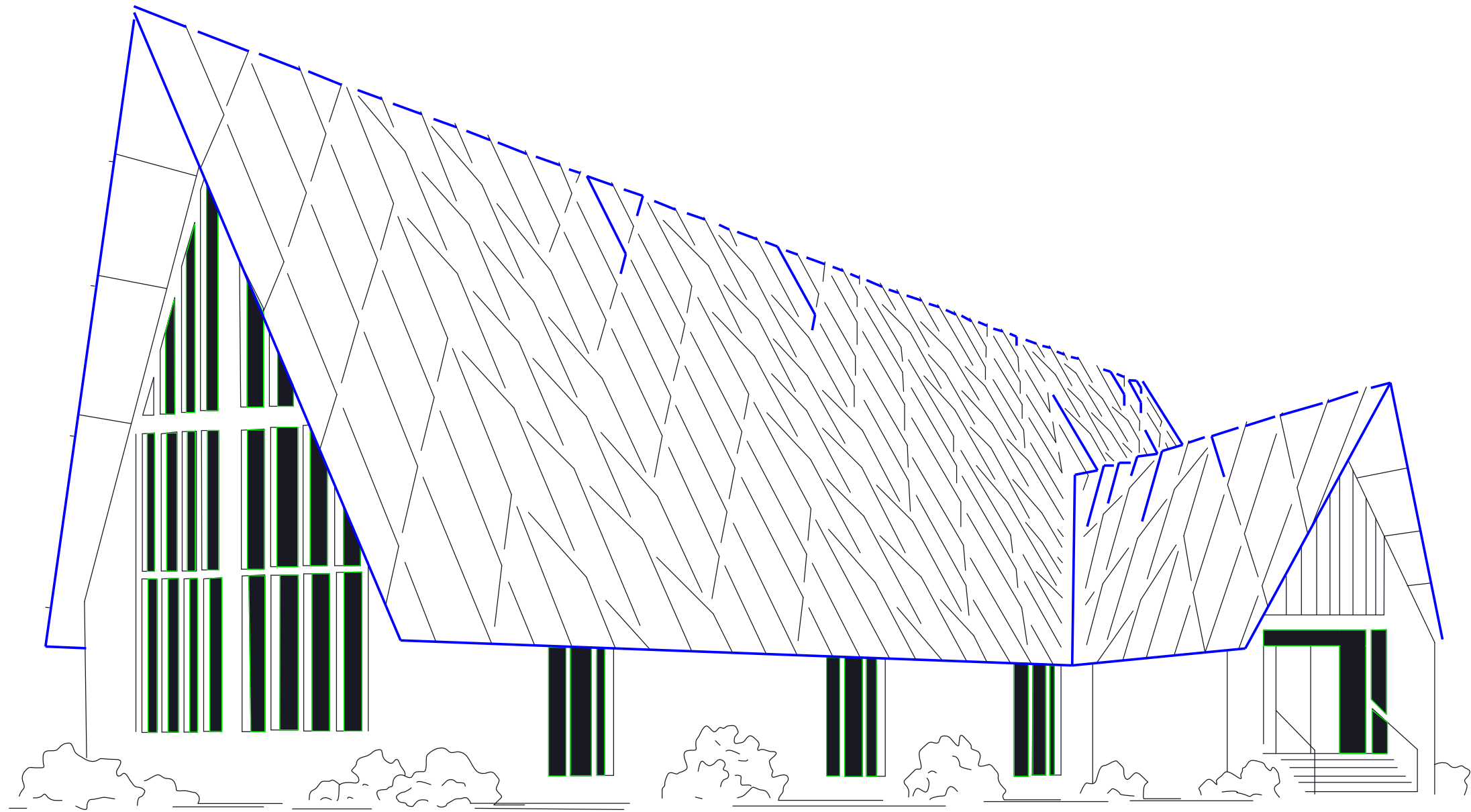
REVISION: A	SHEET: 1 of 1	SIZE: A3	DATE: 21/11/2013
-----------------------	------------------	--------------------	----------------------------



02CD03 U-CLIP

 www.ambrometals.com	Ambro Metals Ltd PO Box 15599 New Lynn 0604 Auckland New Zealand		TITLE / PART NUMBER: Section 3 - E Chevron Design U Clip	
	REVISION: A	SHEET: 1 of 1	SIZE: A3	DATE: 21/11/2013

Copyright © 2013 Ambro Metals Ltd
Information contained in this drawing may not be reproduced or used for any purpose without express written permission from Ambro Metals Limited



02C D01 ROOF PLAN

AMBROMETALS

www.ambrometals.com

Ambro Metals Ltd
 PO Box 15599
 New Lynn 0604
 Auckland
 New Zealand

Copyright © 2013 Ambro Metals Ltd
 Information contained in this drawing may not be reproduced or used for any purpose without express written permission from Ambro Metals Limited

TITLE / PART NUMBER:

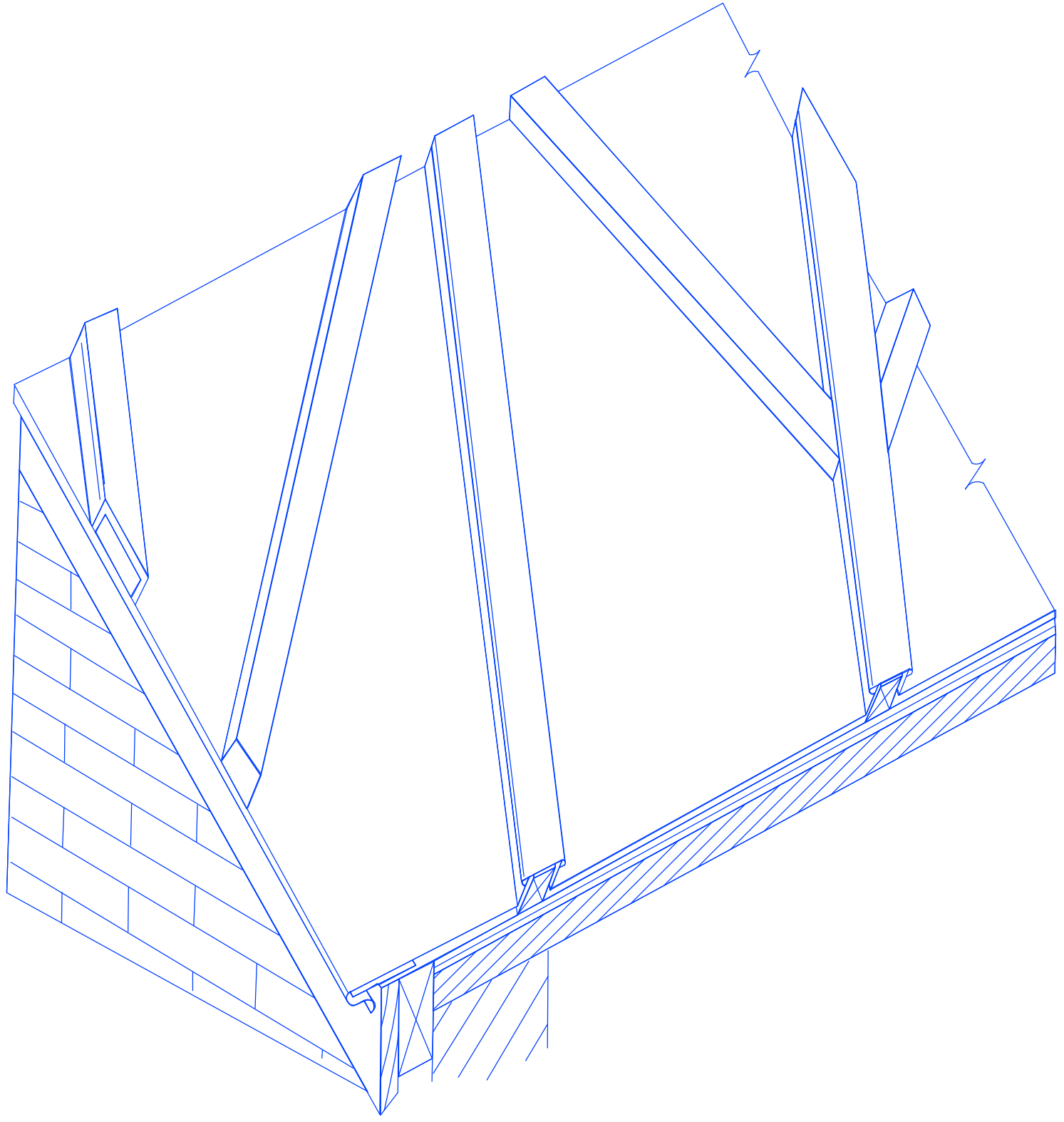
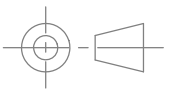
Section 3 - E Chevron Design
 Roof Plan

REVISION:
 A

SHEET:
 1 of 1

SIZE:
 A3

DATE:
 21/11/2013



02CD04 GABLE END

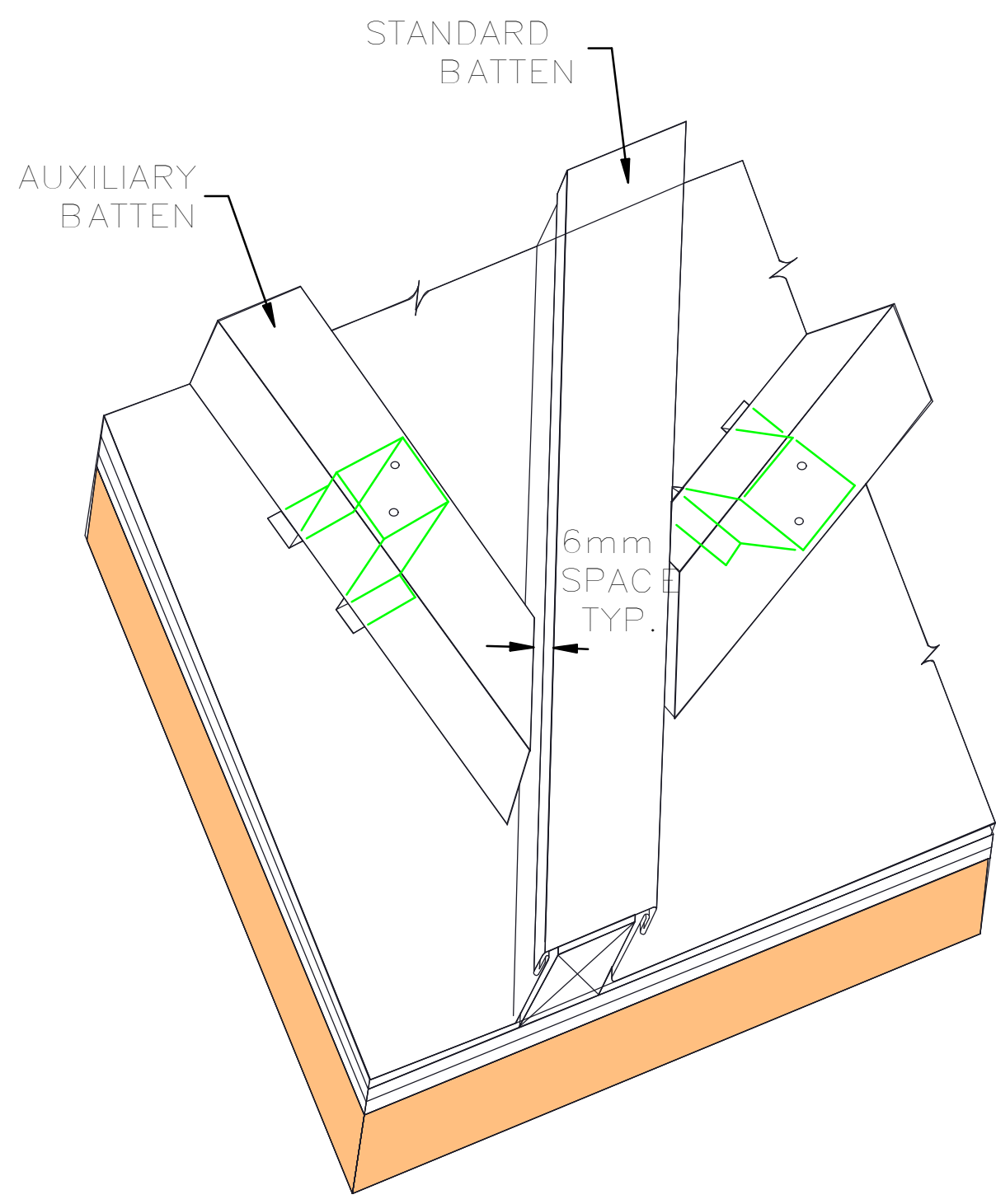
AMBROMETALS

Ambro Metals Ltd
PO Box 15599
New Lynn 0604
Auckland
New Zealand

www.ambrometals.com
Copyright © 2013 Ambro Metals Ltd
Information contained in this drawing may not be reproduced or used for any purpose without express written permission from Ambro Metals Limited

TITLE / PART NUMBER:
Section 3 - E Chevron Design
Gable End

REVISION: A	SHEET: 1 of 1	SIZE: A3	DATE: 21/11/2013
-----------------------	-------------------------	--------------------	----------------------------



02CD06 DETAIL A

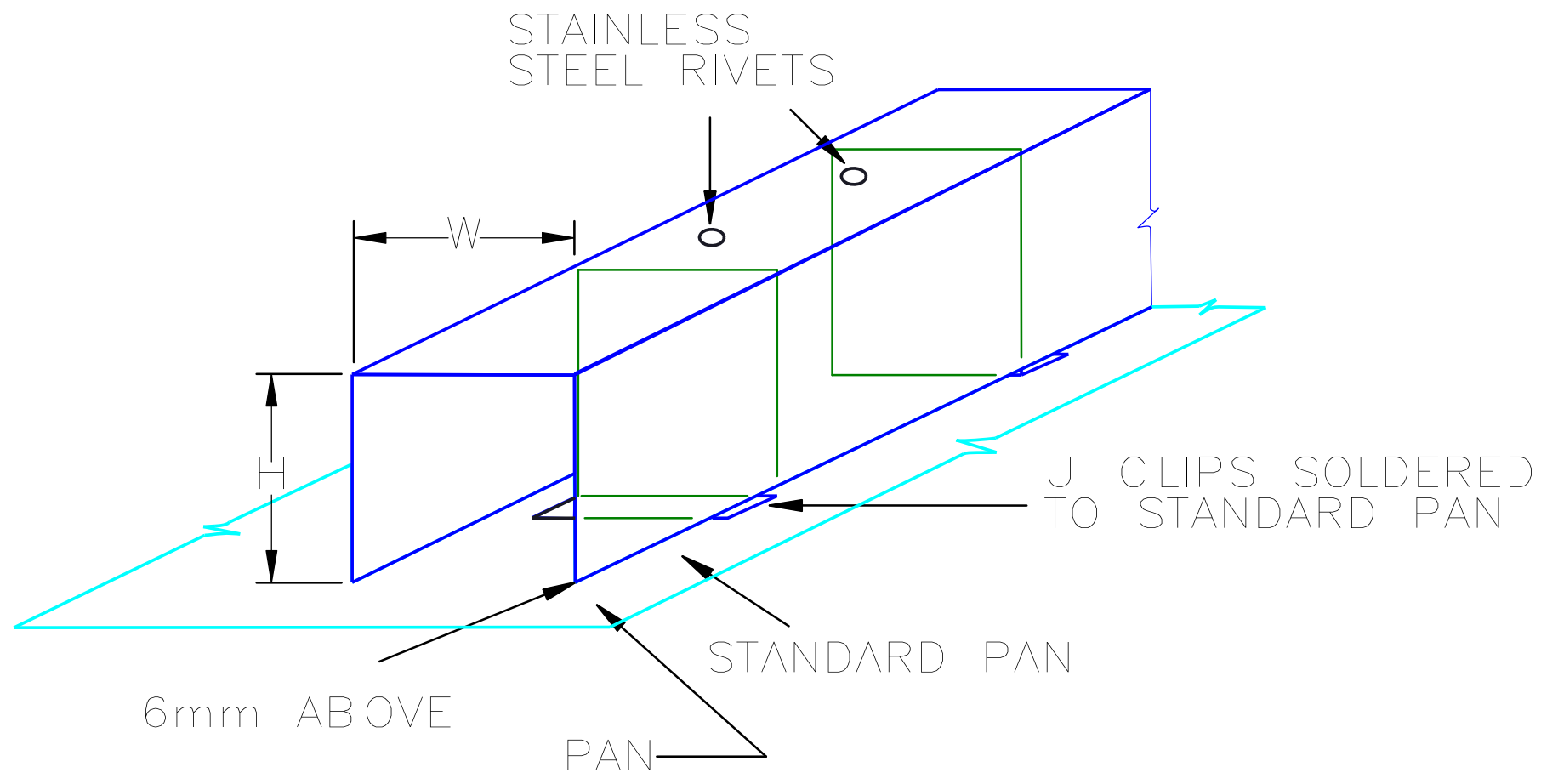
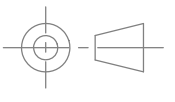
AMBROMETALS

Ambro Metals Ltd
PO Box 15599
New Lynn 0604
Auckland
New Zealand

www.ambrometals.com
Copyright © 2013 Ambro Metals Ltd
Information contained in this drawing may not be reproduced or used for any purpose without express written permission from Ambro Metals Limited

TITLE / PART NUMBER:
Section 3 - E Chevron Design
Detail A

REVISION: A	SHEET: 1 of 1	SIZE: A3	DATE: 21/11/2013
-----------------------	-------------------------	--------------------	----------------------------



02CD02 AUXILIARY BATTEN

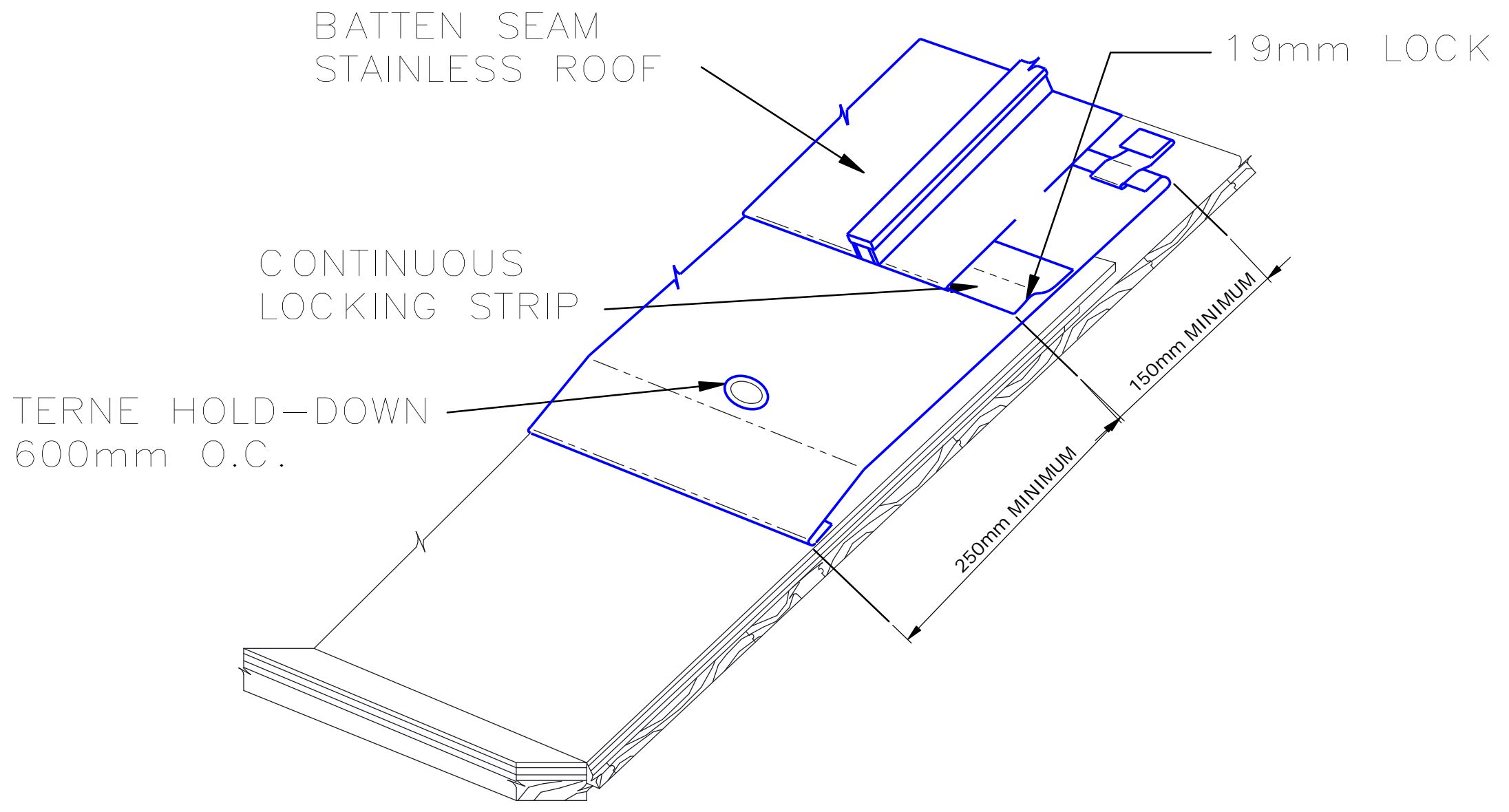
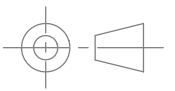
AMBROMETALS

Ambro Metals Ltd
 PO Box 15599
 New Lynn 0604
 Auckland
 New Zealand

www.ambrometals.com
 Copyright © 2013 Ambro Metals Ltd
 Information contained in this drawing may not be reproduced or used for any purpose without express written permission from Ambro Metals Limited

TITLE / PART NUMBER:
Section 3 - E Chevron Design
 Auxiliary Batten

REVISION: A	SHEET: 1 of 1	SIZE: A3	DATE: 21/11/2013
-----------------------	------------------	--------------------	----------------------------



02SD06 TERNE ROOF BUILT-UP ROOF

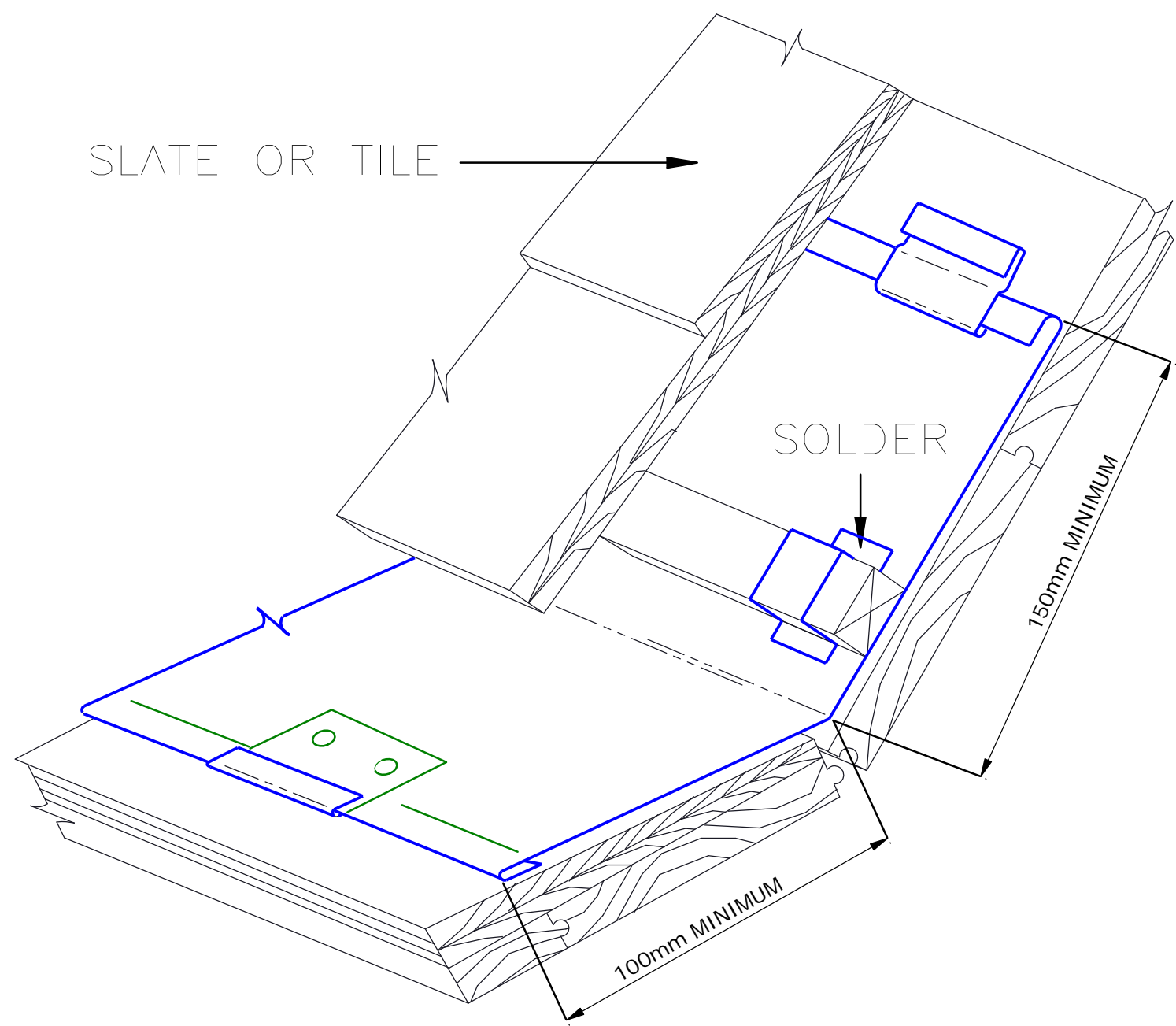


Ambro Metals Ltd
PO Box 15599
New Lynn 0604
Auckland
New Zealand

www.ambrometals.com
Copyright © 2013 Ambro Metals Ltd
Information contained in this drawing may not be reproduced or used for any purpose without express written permission from Ambro Metals Limited

TITLE / PART NUMBER:
Section 3 - G Supplementary Roof Details
G5 - Terne Roof to Built-up

REVISION: A	SHEET: 1 OF 1	SIZE: A3	DATE: 22/11/2013
----------------	------------------	-------------	---------------------



02SD05 SHINGLE ROOF TO SHINGLE ROOF—METHOD 2

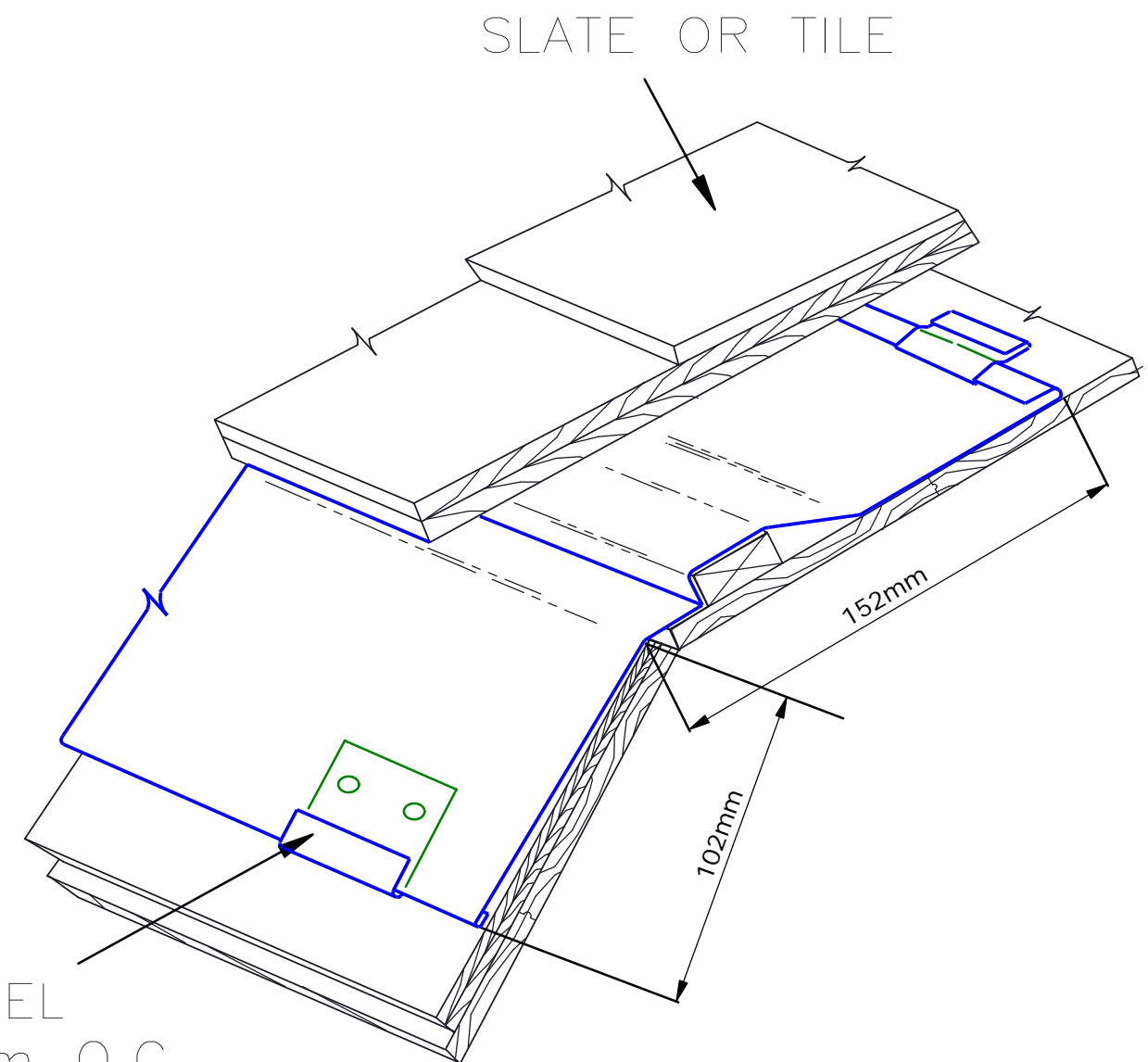
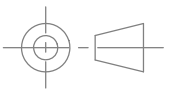


Ambro Metals Ltd
PO Box 15599
New Lynn 0604
Auckland
New Zealand

www.ambrometals.com
Copyright © 2013 Ambro Metals Ltd
Information contained in this drawing may not be reproduced or used for any purpose without express written permission from Ambro Metals Limited

TITLE / PART NUMBER:
Section 3 - G Supplementary Roof Details
G5 - Shingle to Shingle - Method 2

REVISION: A	SHEET: 1 OF 1	SIZE: A3	DATE: 22/11/2013
----------------	------------------	-------------	---------------------



SLATE OR TILE

51mm WIDE
STAINLESS STEEL
CLEATS 610mm O.C.

02SD04 SHINGLE ROOF TO SHINGLE ROOF—METHOD 1

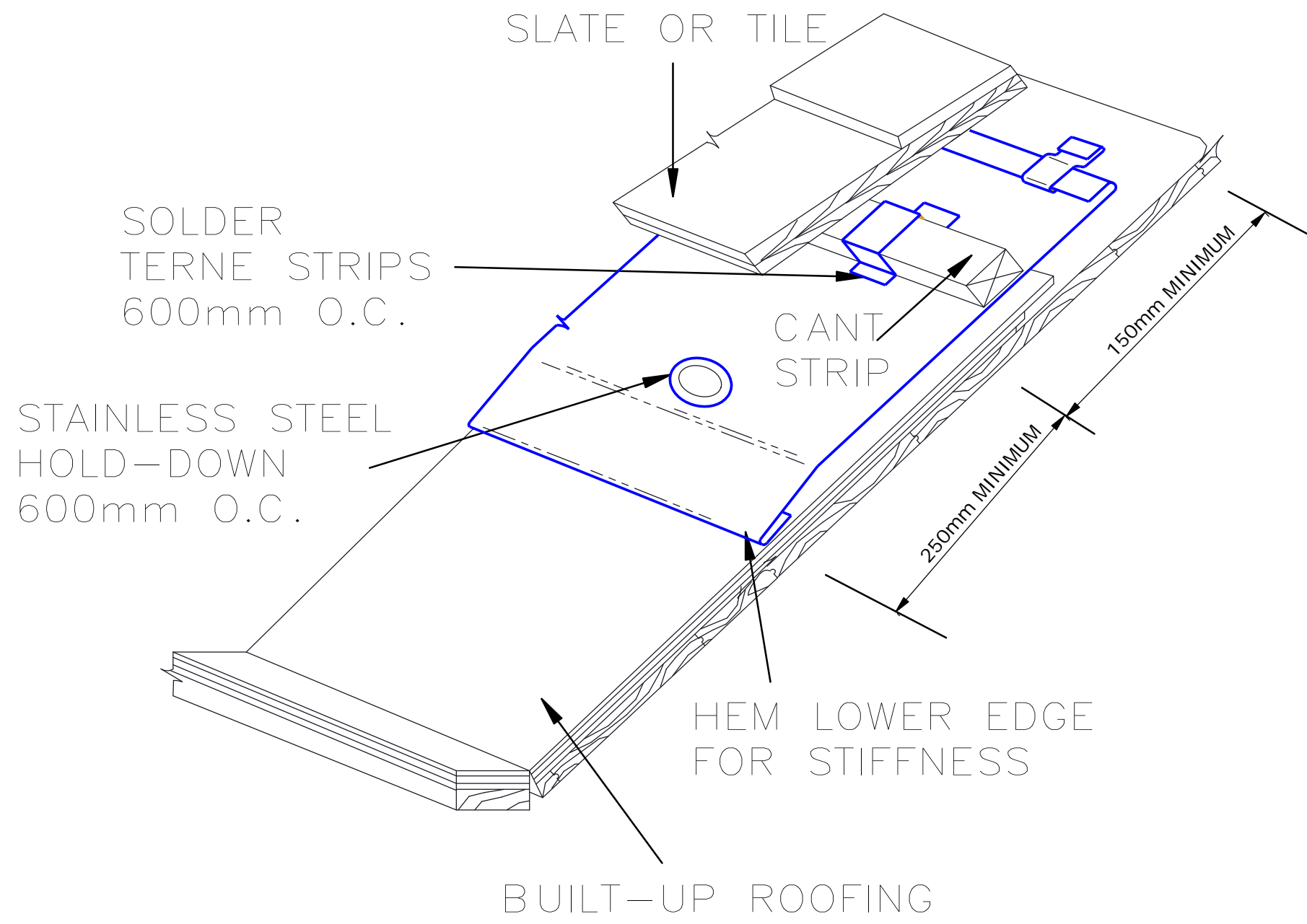
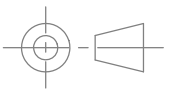


Ambro Metals Ltd
PO Box 15599
New Lynn 0604
Auckland
New Zealand

www.ambrometals.com
Copyright © 2013 Ambro Metals Ltd
Information contained in this drawing may not be reproduced or used for any purpose without express written permission from Ambro Metals Limited

TITLE / PART NUMBER:
Section 3 - G Supplementary Roof Details
G5 - Shingle to Shingle - Method 1

REVISION: A	SHEET: 1 OF 1	SIZE: A3	DATE: 22/11/2013
----------------	------------------	-------------	---------------------



02SD07 SHINGLE ROOF TO BUILT-UP ROOF

AMBROMETALS

Ambro Metals Ltd
PO Box 15599
New Lynn 0604
Auckland
New Zealand

www.ambrometals.com
Copyright © 2013 Ambro Metals Ltd
Information contained in this drawing may not be reproduced or used for any purpose without express written permission from Ambro Metals Limited

TITLE / PART NUMBER:
Section 3 - G Supplementary Roof Details
G5 - Shingle Roof to Built-up

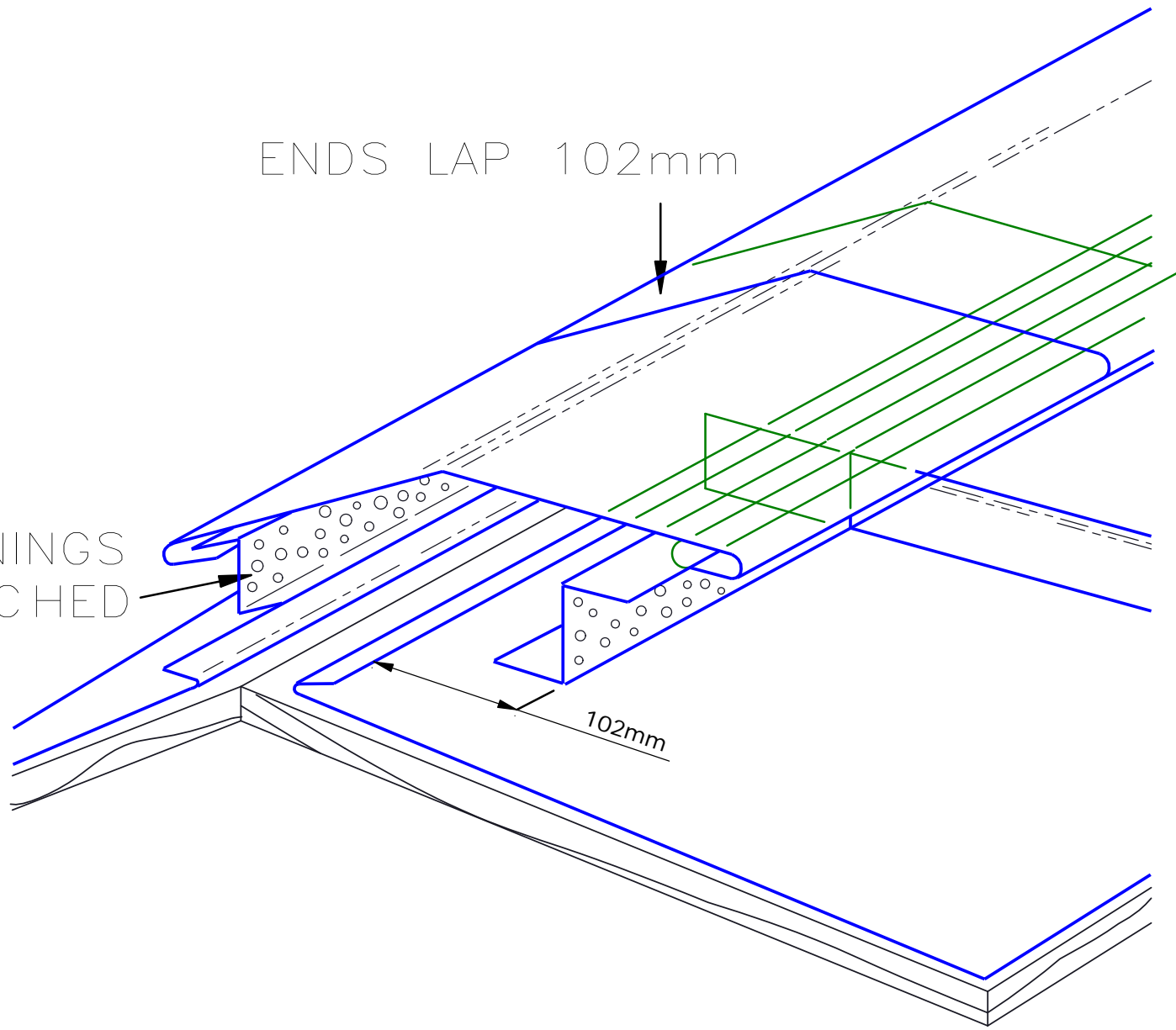
REVISION: A	SHEET: 1 OF 1	SIZE: A3	DATE: 22/11/2013
-----------------------	------------------	--------------------	----------------------------



VENTILATION OPENINGS
(ie., HOLES, PUNCHED
OR DRILLED) TYP.

ENDS LAP 102mm

102mm



02SD03-B VENTILATED RIDGE WITH CAP

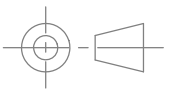
AMBROMETALS

Ambro Metals Ltd
PO Box 15599
New Lynn 0604
Auckland
New Zealand

www.ambrometals.com
Copyright © 2013 Ambro Metals Ltd
Information contained in this drawing may not be reproduced or used for any purpose without express written permission from Ambro Metals Limited

TITLE / PART NUMBER:
Section 3 - G Supplementary Roof Details
G4 - Ventilated Ridge with Cap

REVISION: A	SHEET: 1 OF 1	SIZE: A3	DATE: 22/11/2013
----------------	------------------	-------------	---------------------



ENDS LAPPED 102mm

57mm

102mm

TERNE LOCK STRIP SOLDERED TO ROOF PAN

STANDING SEAM TERNE ROOF

02SD03-D RIDGE WITH CAP

AMBROMETALS

Ambro Metals Ltd
PO Box 15599
New Lynn 0604
Auckland
New Zealand

www.ambrometals.com
Copyright © 2013 Ambro Metals Ltd
Information contained in this drawing may not be reproduced or used for any purpose without express written permission from Ambro Metals Limited

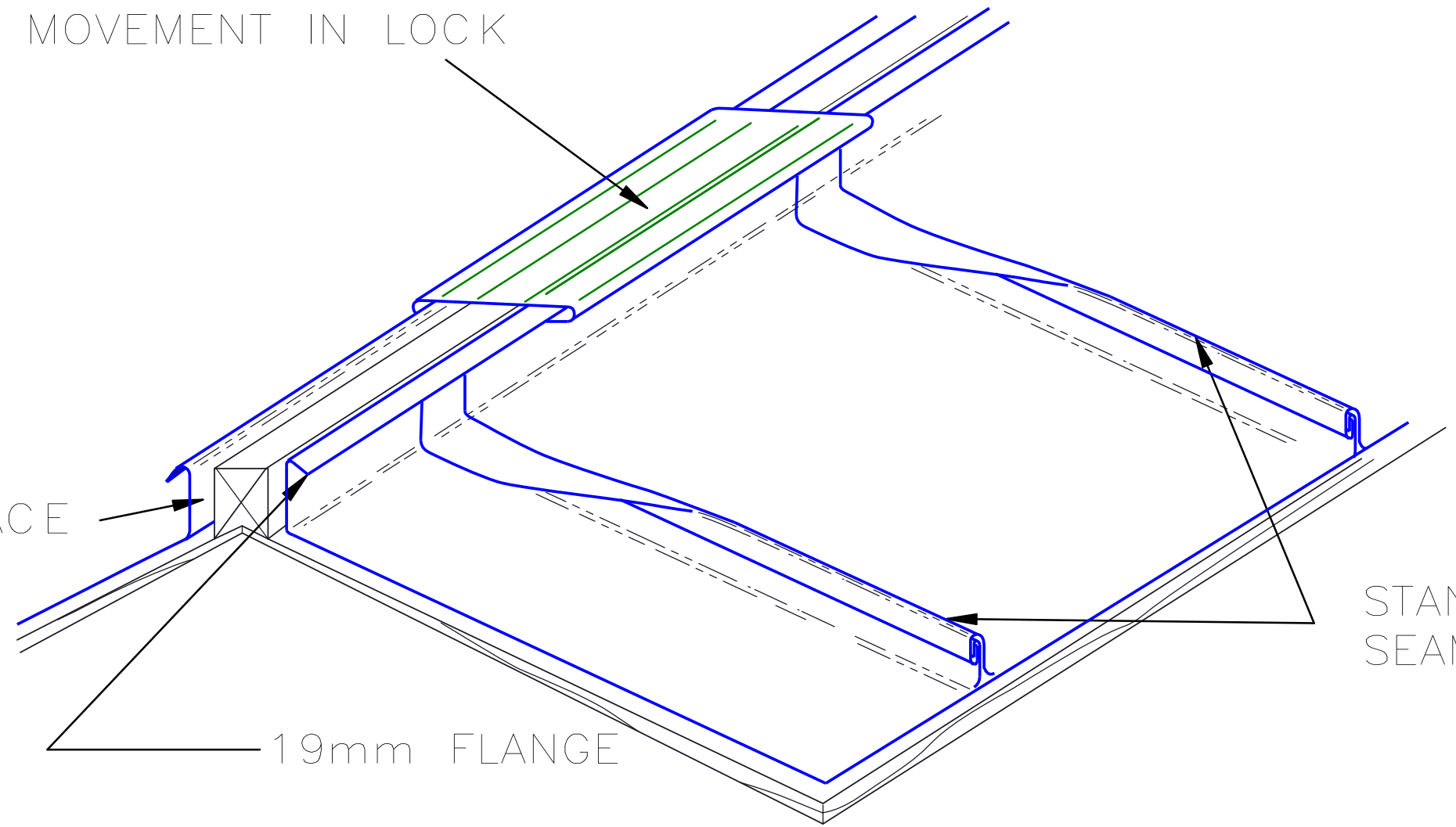
TITLE / PART NUMBER:
Section 3 - G Supplementary Roof Details
G4 - Ridge with Cap

REVISION: A	SHEET: 1 of 1	SIZE: A3	DATE: 22/11/2013
-----------------------	------------------	--------------------	----------------------------



TERNE COVER PLATE—
ALLOW 13mm EXPANSION
MOVEMENT IN LOCK

13mm SPACE



STANDING
SEAMS

19mm FLANGE

02SS03—A RIDGE WITH BATTEN

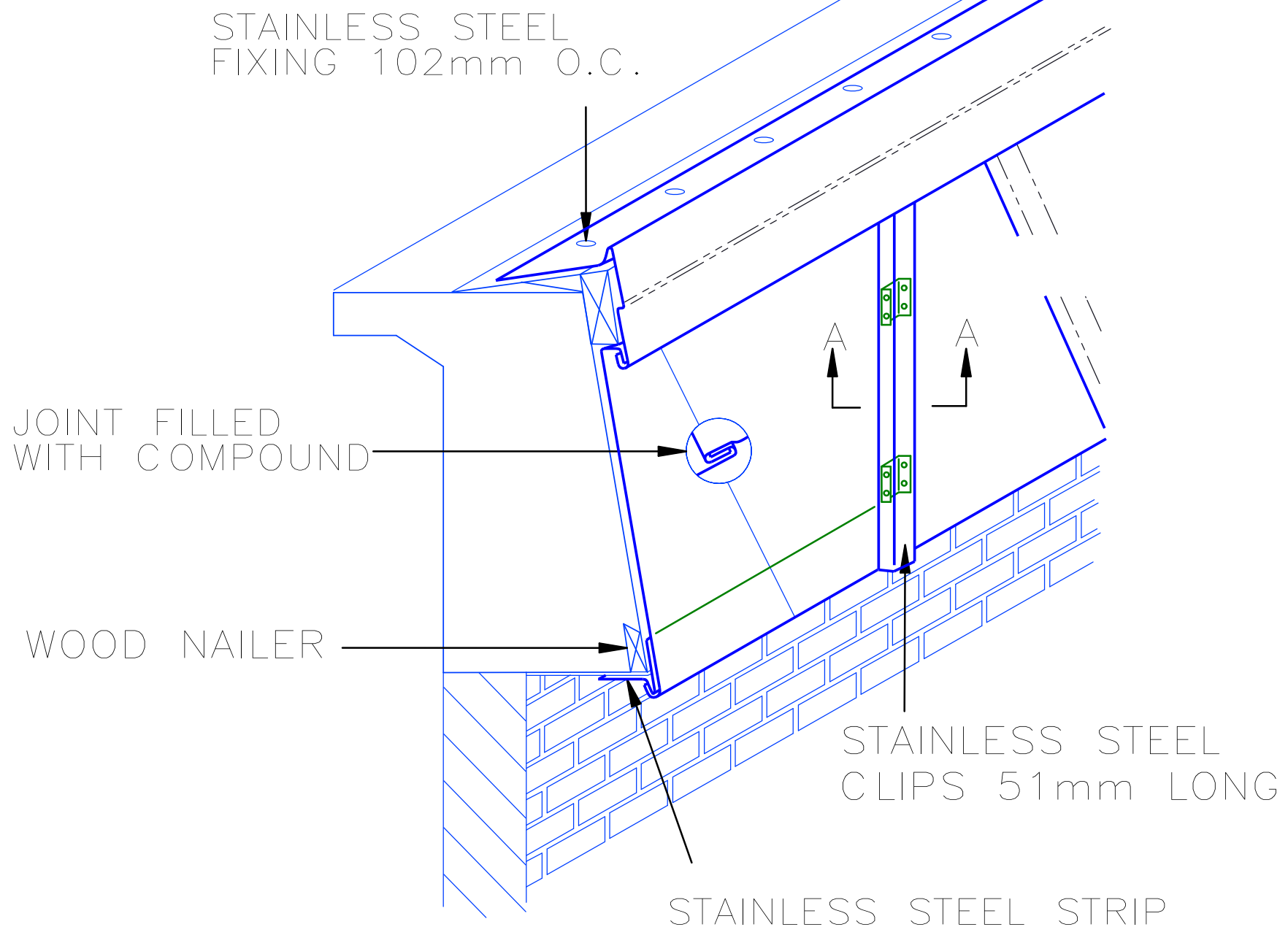
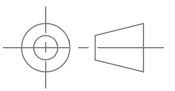
AMBROMETALS

Ambro Metals Ltd
PO Box 15599
New Lynn 0604
Auckland
New Zealand

www.ambrometals.com
Copyright © 2013 Ambro Metals Ltd
Information contained in this drawing may not be reproduced or used for any purpose without express written permission from Ambro Metals Limited

TITLE / PART NUMBER:
Section 3 - G Supplementary Roof Details
G4 - Ridge with Batten Finish

REVISION: A	SHEET: 1 OF 1	SIZE: A3	DATE: 22/11/2013
-----------------------	------------------	-------------	---------------------



03CM04 PLANTED OR FALSE SEAM

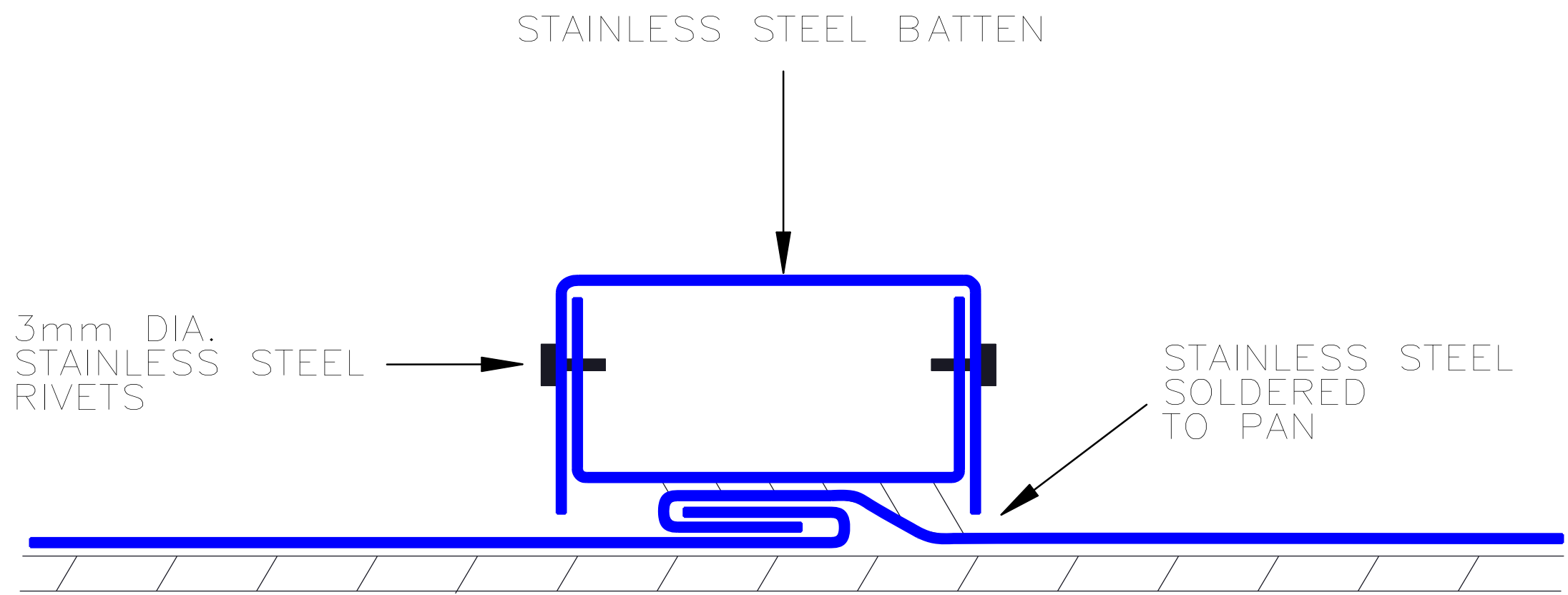
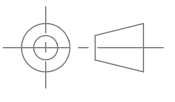
AMBROMETALS

Ambro Metals Ltd
PO Box 15599
New Lynn 0604
Auckland
New Zealand

www.ambrometals.com
Copyright © 2013 Ambro Metals Ltd
Information contained in this drawing may not be reproduced or used for any purpose without express written permission from Ambro Metals Limited

TITLE / PART NUMBER:
Section 3 - H Mansard and Deep Fascia
Planted or False Seam

REVISION: A	SHEET: 1 of 1	SIZE: A3	DATE: 22/11/2013
-----------------------	-------------------------	--------------------	----------------------------



03C M05 NAILED, NOT CLEATED

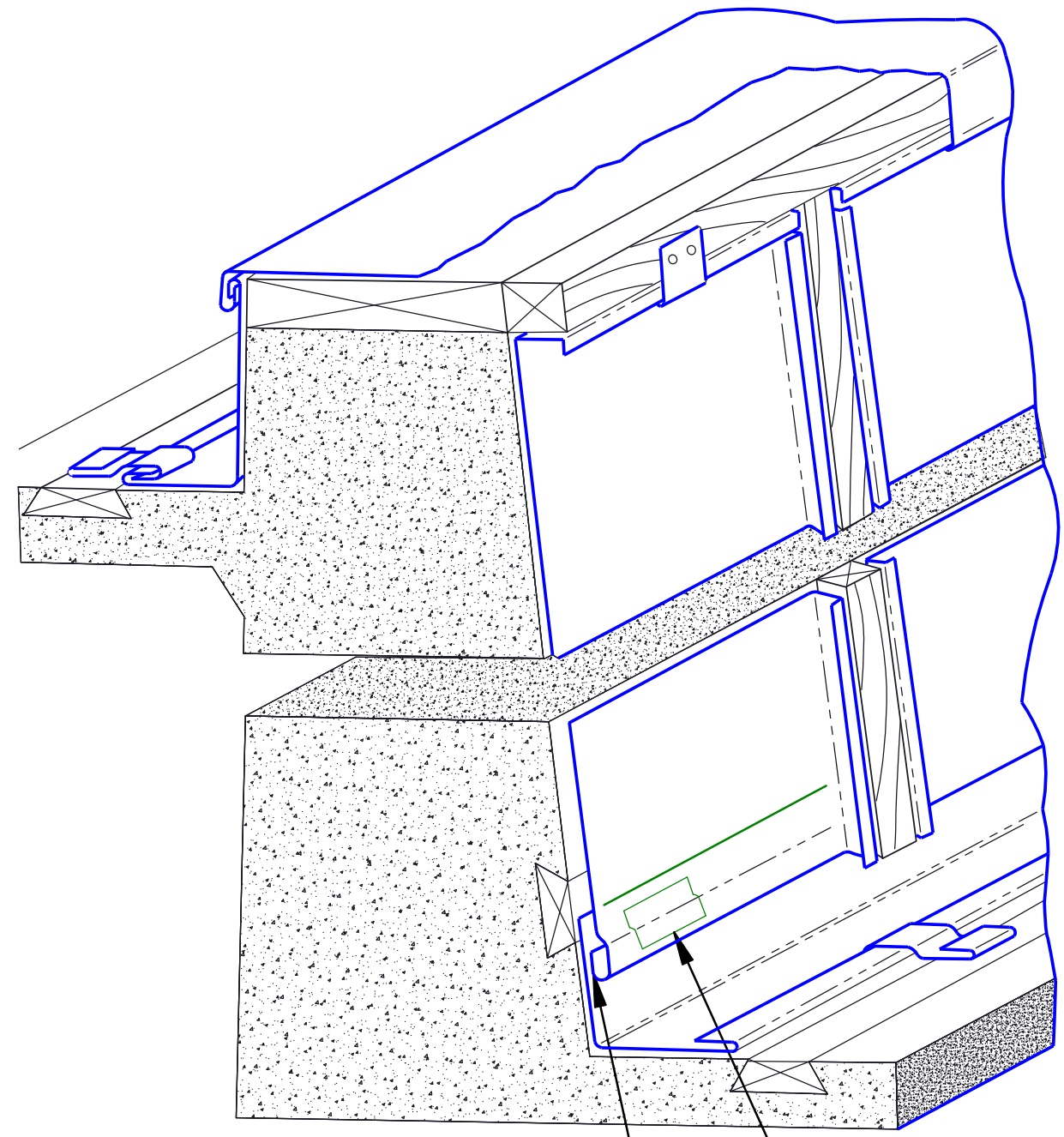
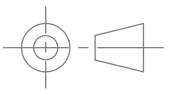
AMBROMETALS

Ambro Metals Ltd
PO Box 15599
New Lynn 0604
Auckland
New Zealand

www.ambrometals.com
Copyright © 2013 Ambro Metals Ltd
Information contained in this drawing may not be reproduced or used for any purpose without express written permission from Ambro Metals Limited

TITLE / PART NUMBER:
Section 3 - H Mansard and Deep Fascia
Nailed, not Cleated

REVISION: A	SHEET: 1 of 1	SIZE: A3	DATE: 22/11/2013
-----------------------	-------------------------	--------------------	----------------------------



19mm LOCK

LOCKING STRIPS
SOLDERED TO
BASE FLASHING

03C M01 MANSARD SLOPE/BATTEN SEAM

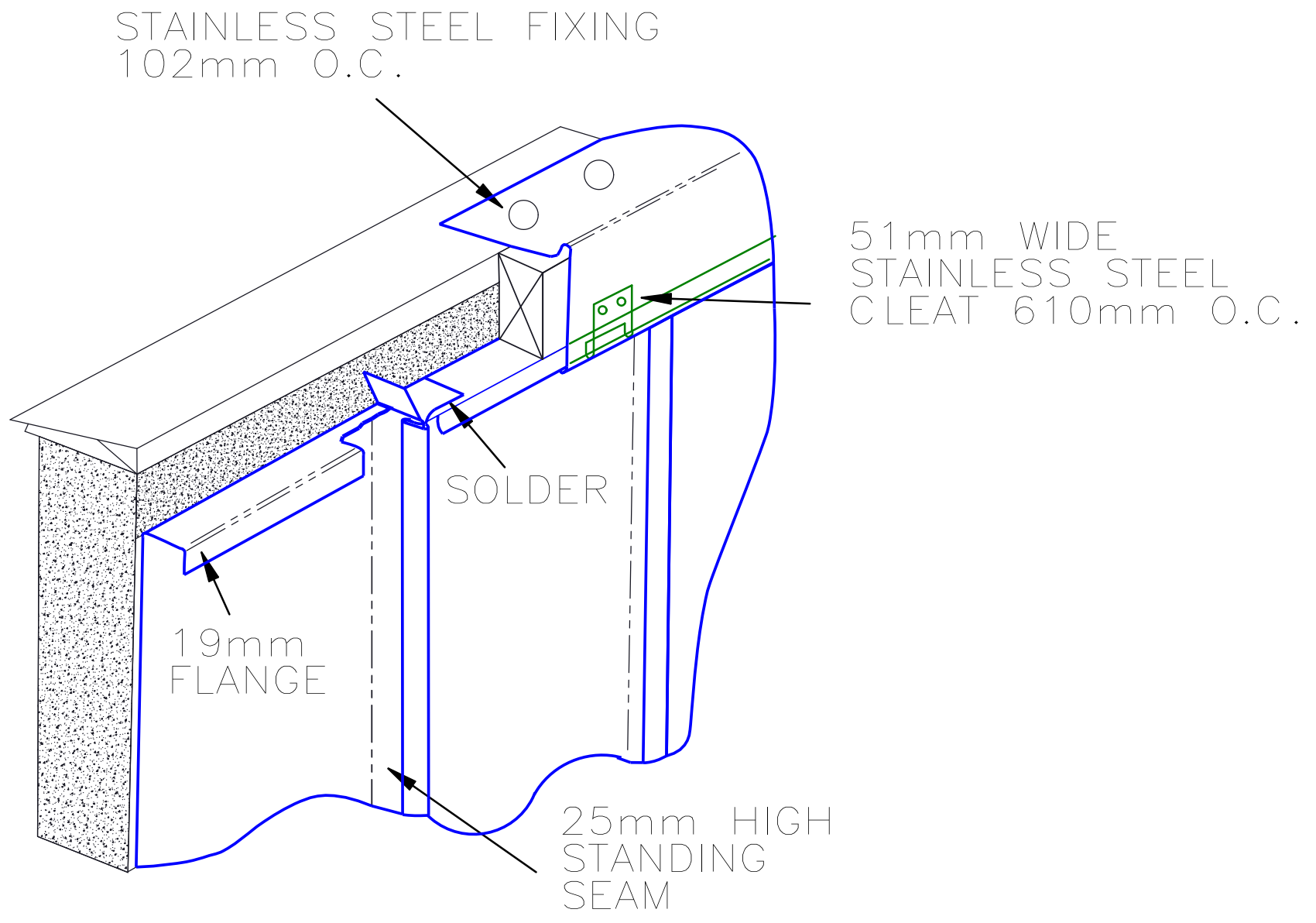
AMBROMETALS

Ambro Metals Ltd
PO Box 15599
New Lynn 0604
Auckland
New Zealand

www.ambrometals.com
Copyright © 2013 Ambro Metals Ltd
Information contained in this drawing may not be reproduced or used for any purpose without express written permission from Ambro Metals Limited

TITLE / PART NUMBER:
**Section 3 - H Mansard and Deep Fascia
Mansard Slope**

REVISION: A	SHEET: 1 of 1	SIZE: A3	DATE: 21/11/2013
-----------------------	-------------------------	--------------------	----------------------------



03C M02 MANSARD SLOPE – STANDING SEAM

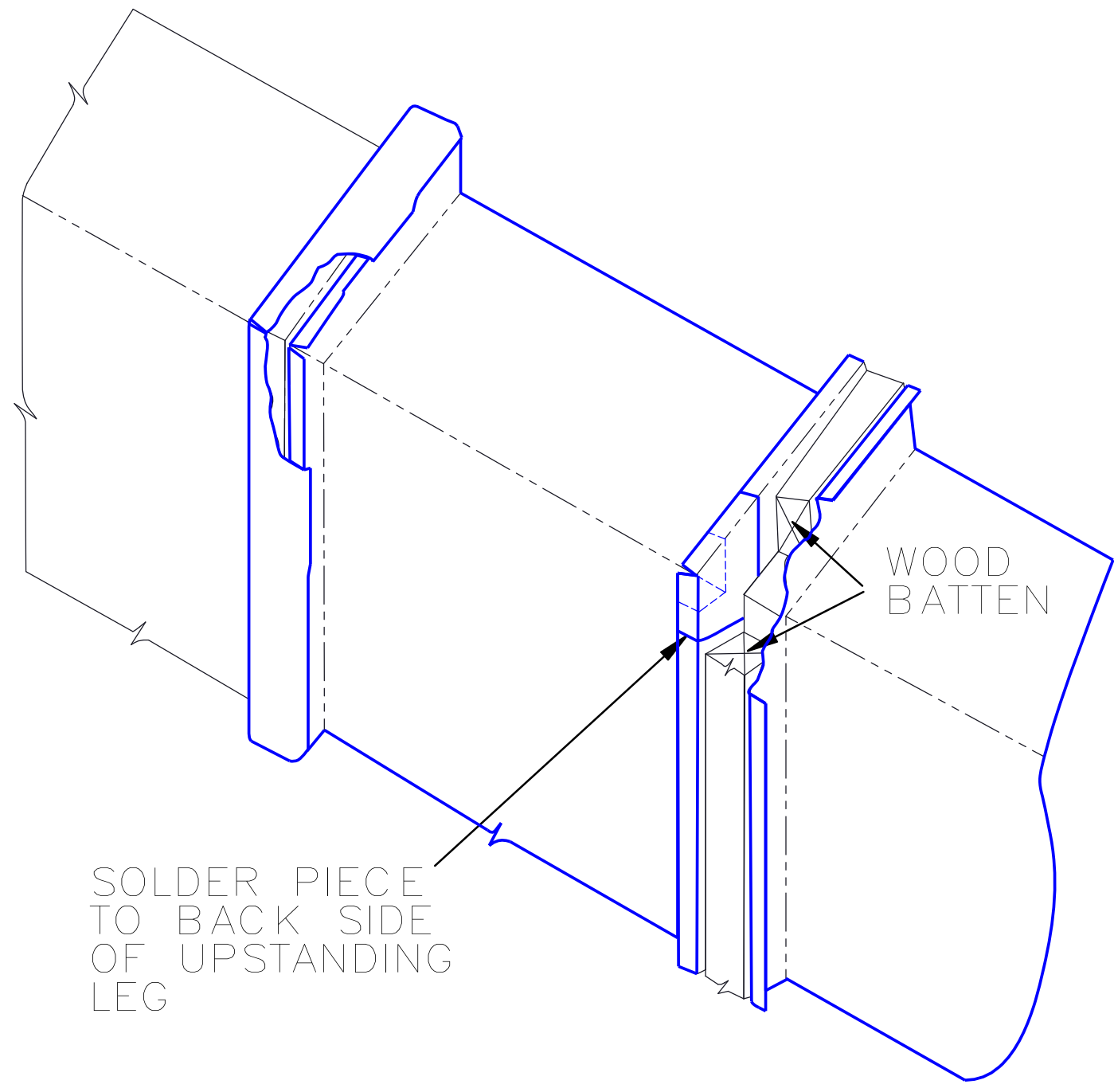
AMBROMETALS

Ambro Metals Ltd
 PO Box 15599
 New Lynn 0604
 Auckland
 New Zealand

www.ambrometals.com
 Copyright © 2013 Ambro Metals Ltd
 Information contained in this drawing may not be reproduced or used for any purpose without express written permission from Ambro Metals Limited

TITLE / PART NUMBER:
Section 3 - H Mansard and Deep Fascia
 Mansard Slope - Standing Seam

REVISION: A	SHEET: 1 of 1	SIZE: A3	DATE: 21/11/2013
-----------------------	-------------------------	--------------------	----------------------------



SOLDER PIECE
TO BACK SIDE
OF UPSTANDING
LEG

WOOD
BATTEN

03C M03 MANSARD SLOPE-BATTEN SEAM



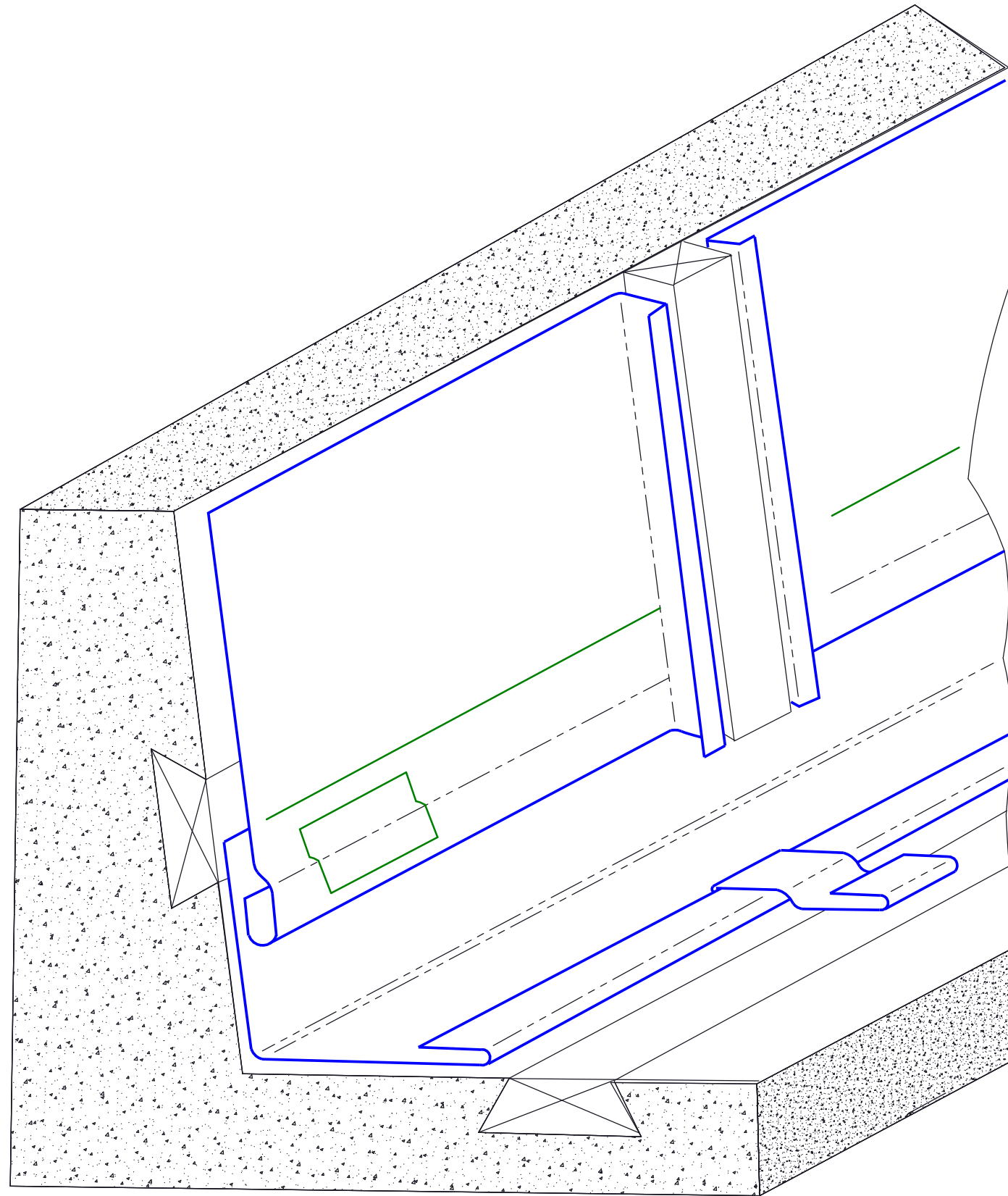
Ambro Metals Ltd
PO Box 15599
New Lynn 0604
Auckland
New Zealand

www.ambrometals.com
Information contained in this drawing may not be reproduced or used for any purpose without express written permission from Ambro Metals Limited

Copyright © 2013 Ambro Metals Ltd

TITLE / PART NUMBER:
Section 3 - H Mansard and Deep Fascia
Mansard Slope - Batten Seam

REVISION:	SHEET:	SIZE:	DATE:
A	1 of 1	A3	21/11/2013



03C M01 – A MANSARD SLOPE/BATTEN SEAM

AMBROMETALS

www.ambrometals.com

Information contained in this drawing may not be reproduced or used for any purpose without express written permission from Ambro Metals Limited

Ambro Metals Ltd
 PO Box 15599
 New Lynn 0604
 Auckland
 New Zealand

Copyright © 2013 Ambro Metals Ltd

TITLE / PART NUMBER:

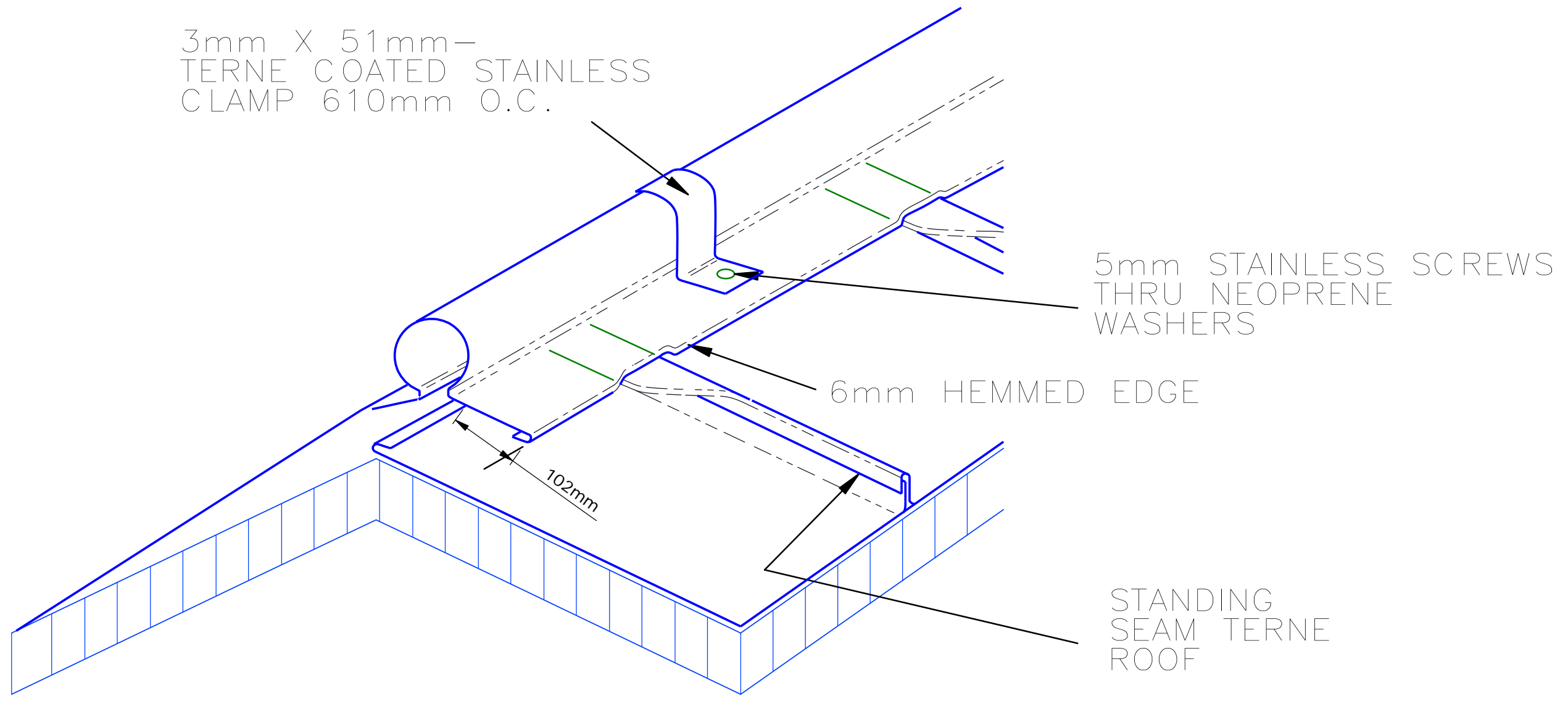
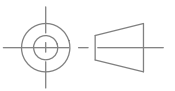
Section 3 - H Mansard and Deep Fascia
 A Mansard Slope

REVISION:
 A

SHEET:
 1 of 1

SIZE:
 A3

DATE:
 21/11/2013



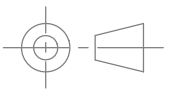
3mm X 51mm-
TERNE COATED STAINLESS
CLAMP 610mm O.C.

5mm STAINLESS SCREWS
THRU NEOPRENE
WASHERS

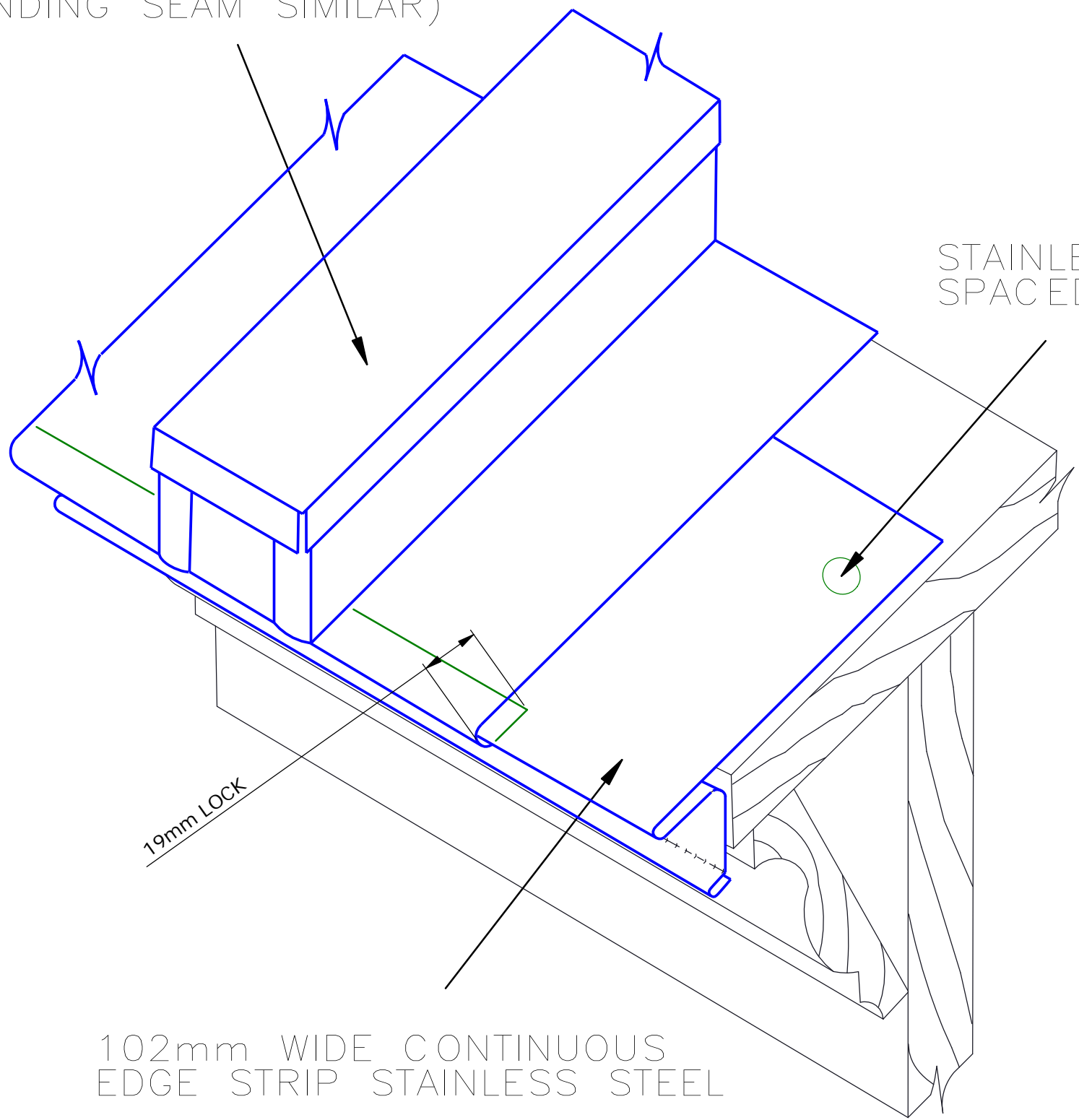
6mm HEMMED EDGE

STANDING
SEAM TERNE
ROOF

02SD03-C RIDGE ROLL



BATTEN SEAM TERNE ROOF
(STANDING SEAM SIMILAR)



STAINLESS STEEL FIXINGS
SPACED 102mm O.C.

19mm LOCK

102mm WIDE CONTINUOUS
EDGE STRIP STAINLESS STEEL

02SD01 NO GUTTER AT EAVE

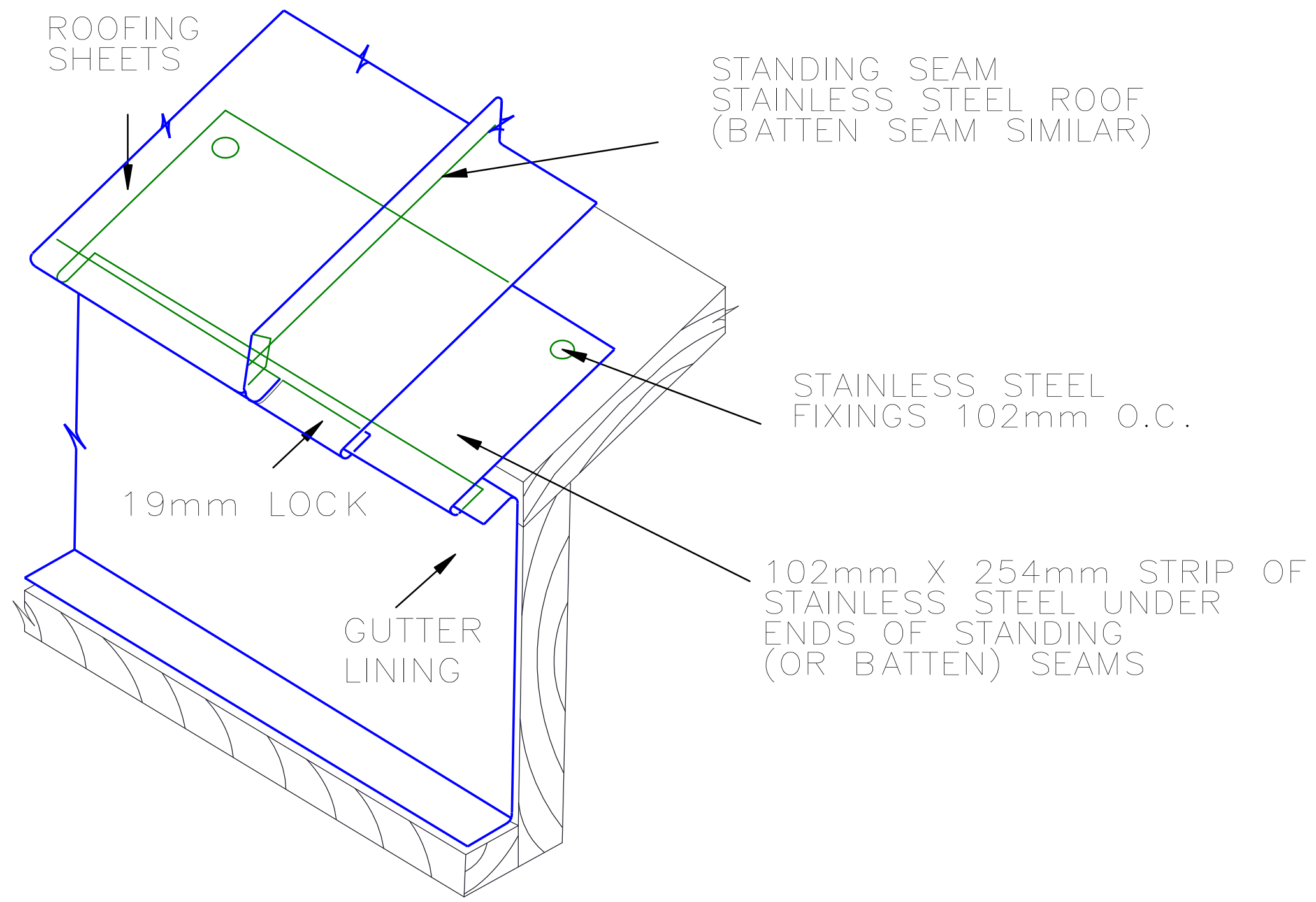
AMBROMETALS

Ambro Metals Ltd
PO Box 15599
New Lynn 0604
Auckland
New Zealand

www.ambrometals.com
Copyright © 2013 Ambro Metals Ltd
Information contained in this drawing may not be reproduced or used for any purpose without express written permission from Ambro Metals Limited

TITLE / PART NUMBER:
Section 3 - G Supplementary Roof Details
G3 - No Gutter at Eave

REVISION: A	SHEET: 1 of 1	SIZE: A3	DATE: 22/11/2013
-----------------------	------------------	--------------------	----------------------------



02SD02 GUTTER AT EAVE



Ambro Metals Ltd
 PO Box 15599
 New Lynn 0604
 Auckland
 New Zealand

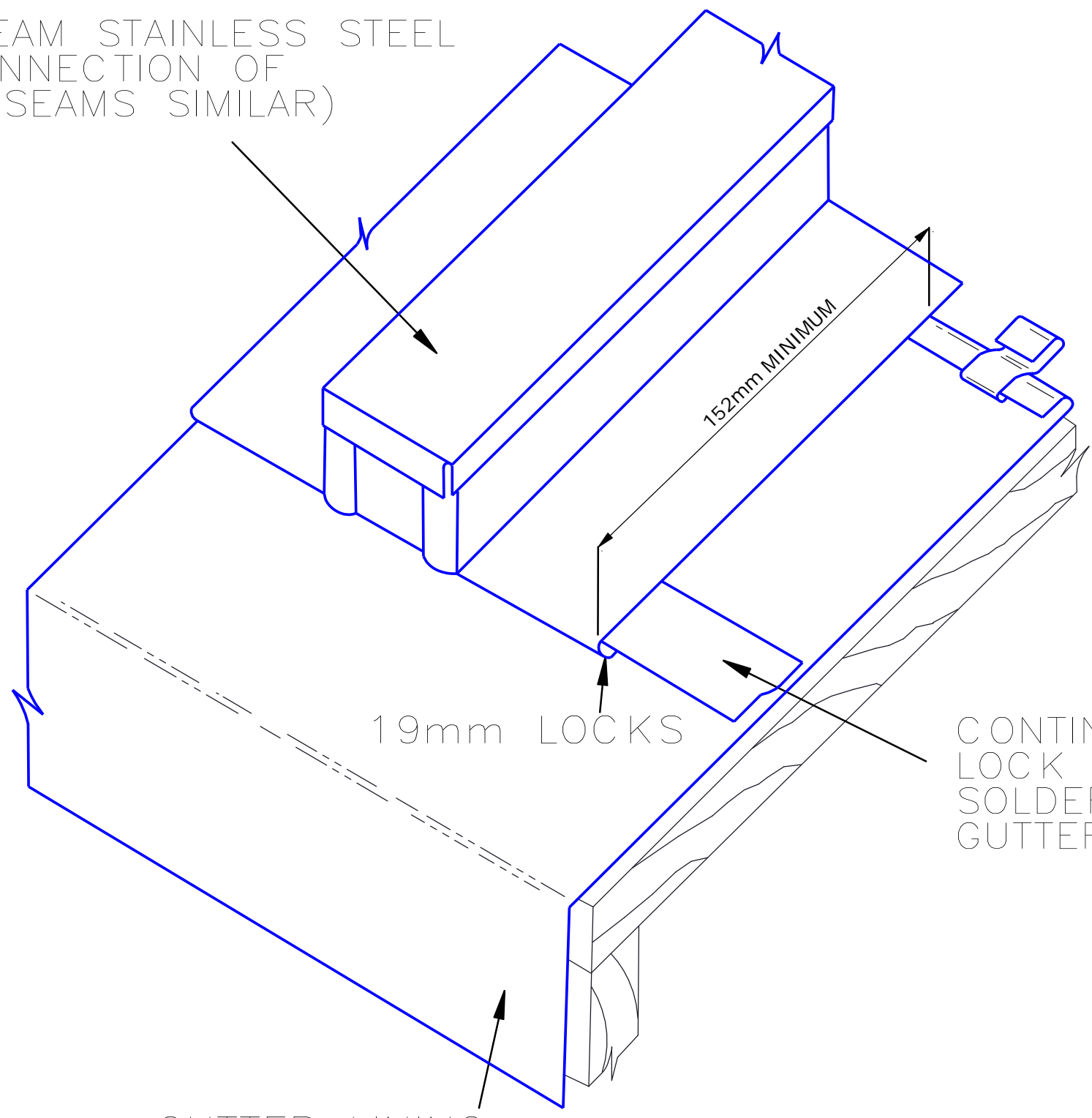
www.ambrometals.com
 Copyright © 2013 Ambro Metals Ltd
 Information contained in this drawing may not be reproduced or used for any purpose without express written permission from Ambro Metals Limited

TITLE / PART NUMBER:
Section 3 - G Supplementary Roof Details
 G3 - Gutter at Eave

REVISION: A	SHEET: 1 of 1	SIZE: A3	DATE: 22/11/2013
-----------------------	------------------	--------------------	----------------------------



BATTEN SEAM STAINLESS STEEL
ROOF (CONNECTION OF
STANDING SEAMS SIMILAR)



152mm MINIMUM

19mm LOCKS

CONTINUOUS
LOCK STRIP
SOLDERED TO
GUTTER LINING

GUTTER LINING

02SD03 GUTTER APRON ON ROOF SLOPE

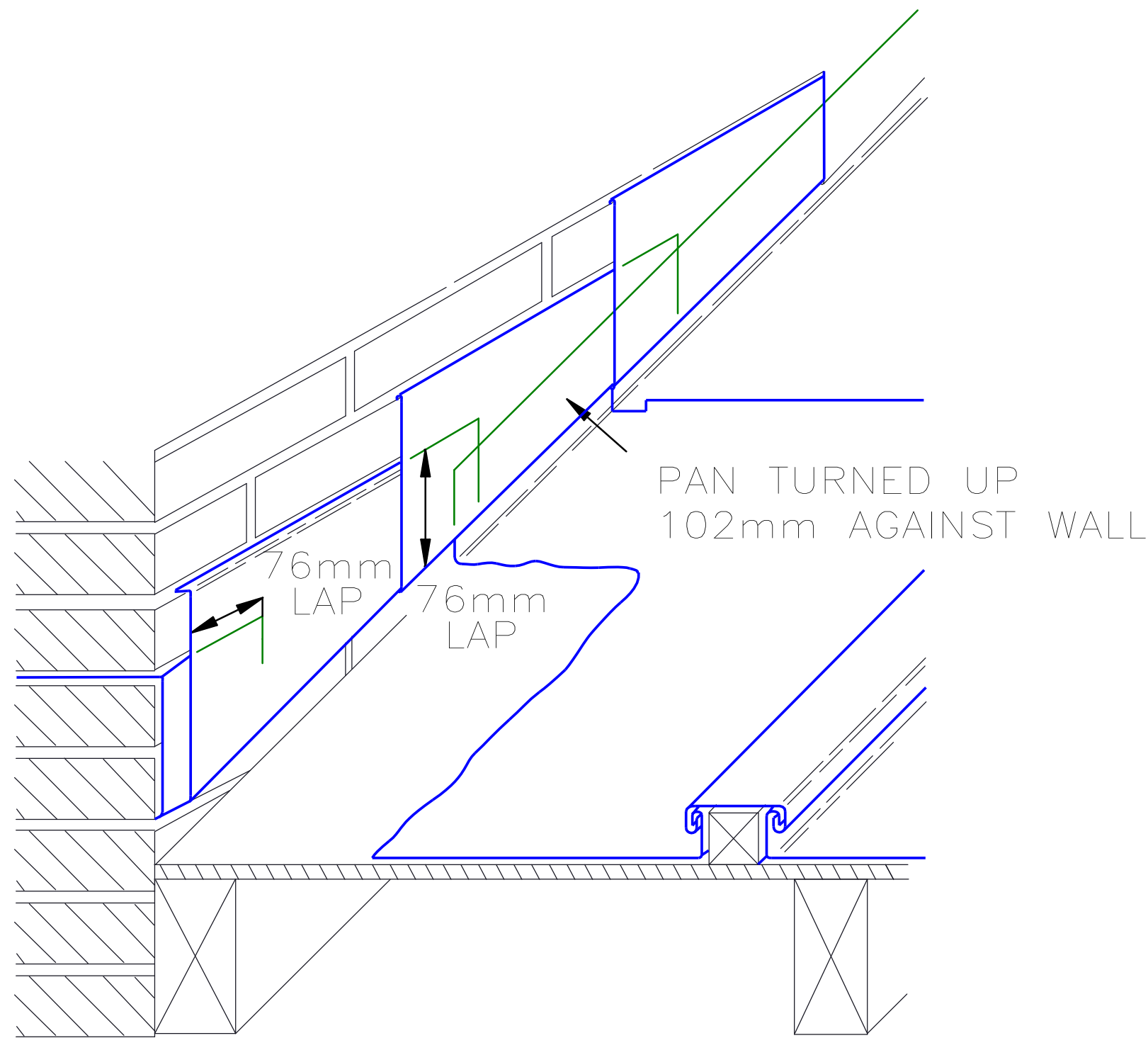
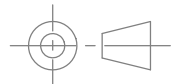
AMBROMETALS

Ambro Metals Ltd
PO Box 15599
New Lynn 0604
Auckland
New Zealand

www.ambrometals.com
Copyright © 2013 Ambro Metals Ltd
Information contained in this drawing may not be reproduced or used for any purpose without express written permission from Ambro Metals Limited

TITLE / PART NUMBER:
Section 3 - G Supplementary Roof Details
G3 - Gutter Apron on Roof Slope

REVISION: A	SHEET: 1 of 1	SIZE: A3	DATE: 22/11/2013
-----------------------	------------------	--------------------	----------------------------



02SD08 TO MASONRY WALL

AMBROMETALS

www.ambrometals.com

Information contained in this drawing may not be reproduced or used for any purpose without express written permission from Ambro Metals Limited

Ambro Metals Ltd

PO Box 15599
New Lynn 0604
Auckland
New Zealand

Copyright © 2013 Ambro Metals Ltd

Information contained in this drawing may not be reproduced or used for any purpose without express written permission from Ambro Metals Limited

TITLE / PART NUMBER:

Section 3 - G Supplementary Roof Details
G2 - To Masonry Wall

REVISION:

A

SHEET:

1 of 1

SIZE:

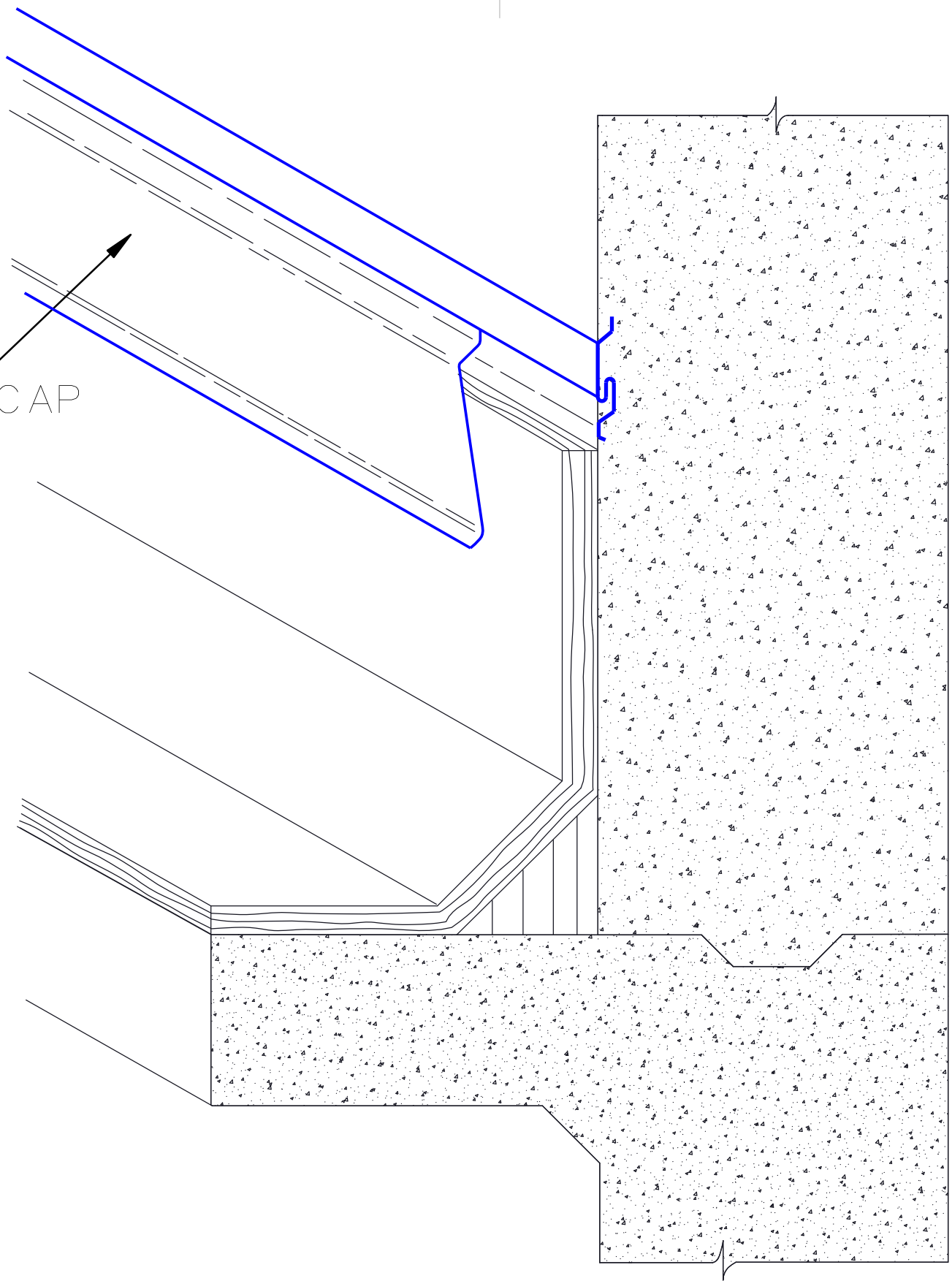
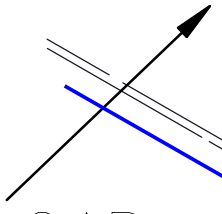
A3

DATE:

21/11/2013



STAINLESS STEEL CAP



02SD10 TO CONCRETE WALL—REGLET

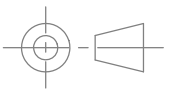
AMBROMETALS

Ambro Metals Ltd
PO Box 15599
New Lynn 0604
Auckland
New Zealand

www.ambrometals.com
Copyright © 2013 Ambro Metals Ltd
Information contained in this drawing may not be reproduced or used for any purpose without express written permission from Ambro Metals Limited

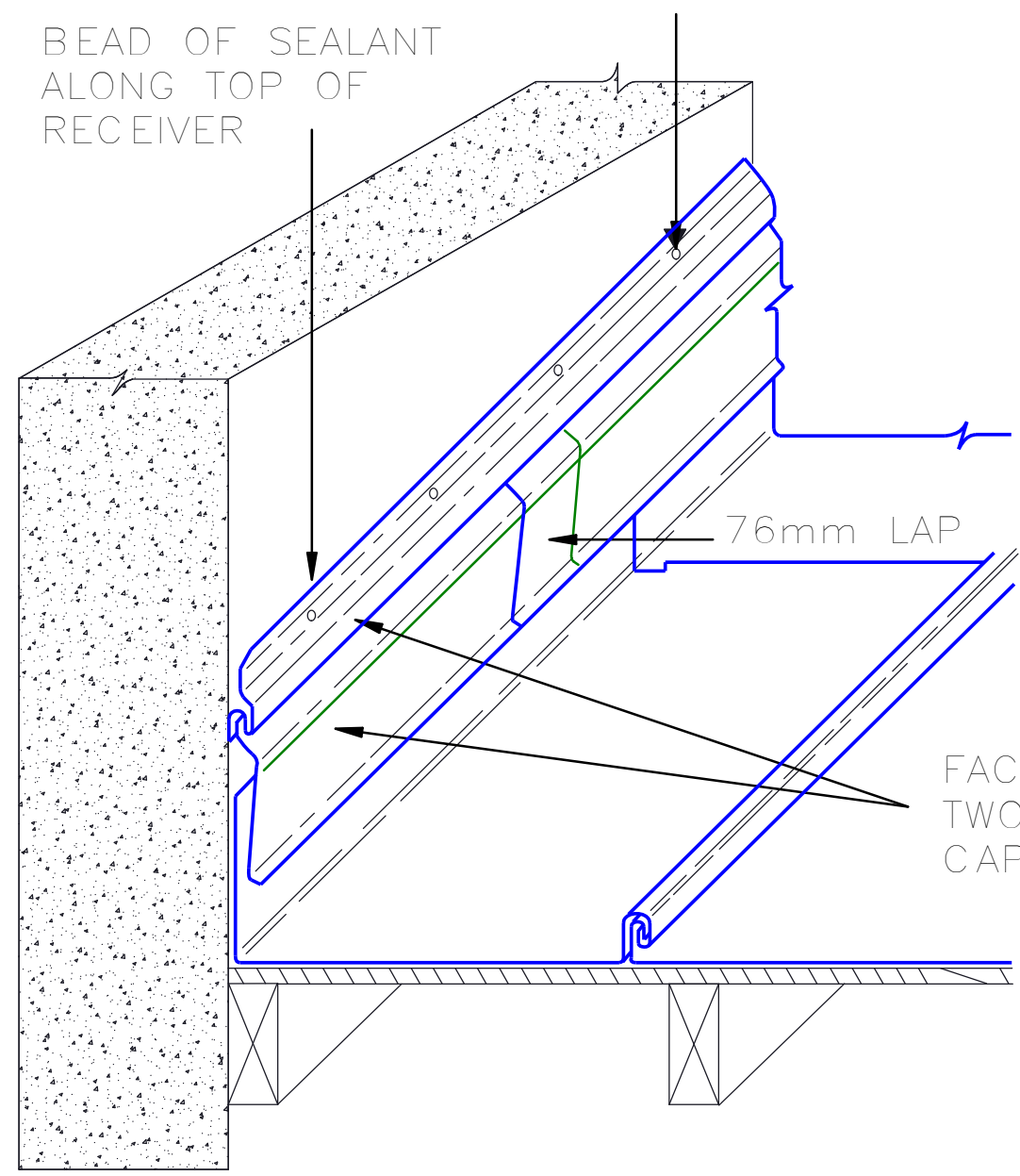
TITLE / PART NUMBER:
Section 3 - G Supplementary Roof Details
G2 - To Concrete Wall - Reglet

REVISION: A	SHEET: 1 of 1	SIZE: A3	DATE: 22/11/2013
-----------------------	-------------------------	--------------------	----------------------------



STAINLESS STEEL SCREWS IN
SLEEVES 254mm
TO 305mm O.C.

BEAD OF SEALANT
ALONG TOP OF
RECEIVER



76mm LAP

FACE MOUNTED
TWO-PIECE
CAP FLASHING

02SD09 TO CONCRETE WALL-FACE MOUNTED

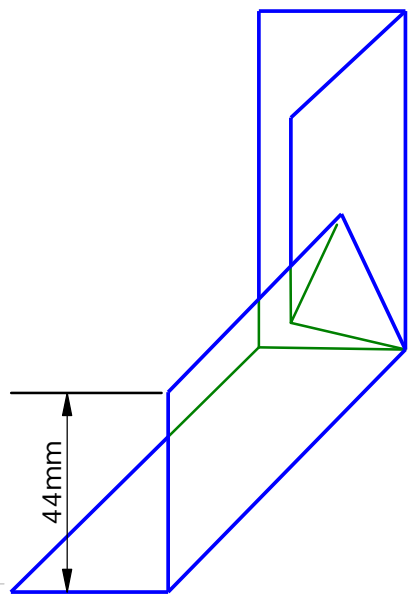
AMBROMETALS

Ambro Metals Ltd
PO Box 15599
New Lynn 0604
Auckland
New Zealand

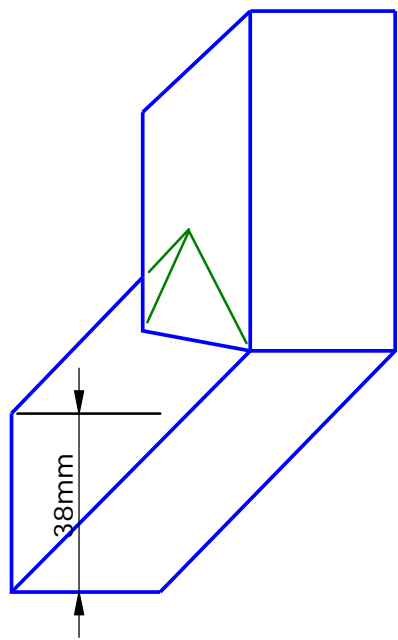
www.ambrometals.com
Copyright © 2013 Ambro Metals Ltd
Information contained in this drawing may not be reproduced or used for any purpose without express written permission from Ambro Metals Limited

TITLE / PART NUMBER:
Section 3 - G Supplementary Roof Details
G2 - To Concrete Wall - Face Mounted

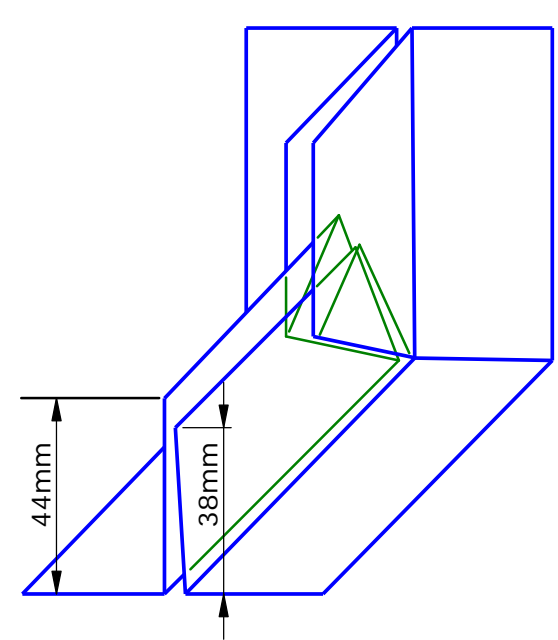
REVISION: A	SHEET: 1 of 1	SIZE: A3	DATE: 21/11/2013
-----------------------	------------------	--------------------	----------------------------



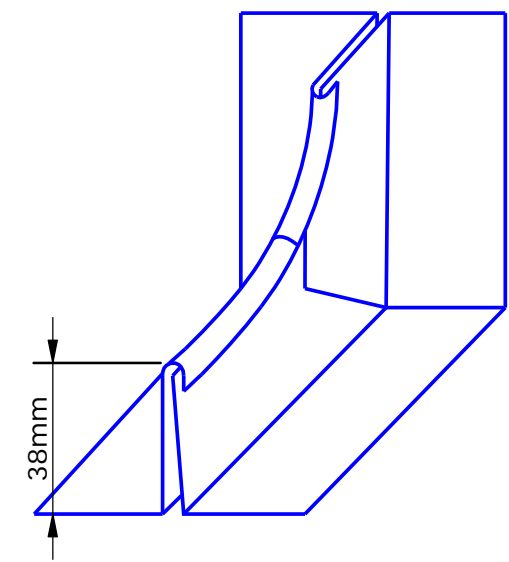
03RW06-STEP 1



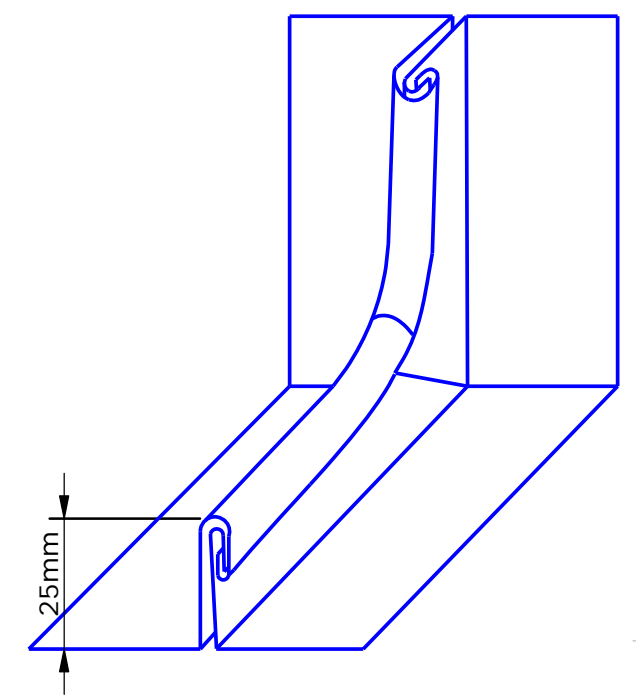
03RW07-STEP 1A



03RW08-STEP 2



03RW09-STEP 3



03RW10-STEP 4

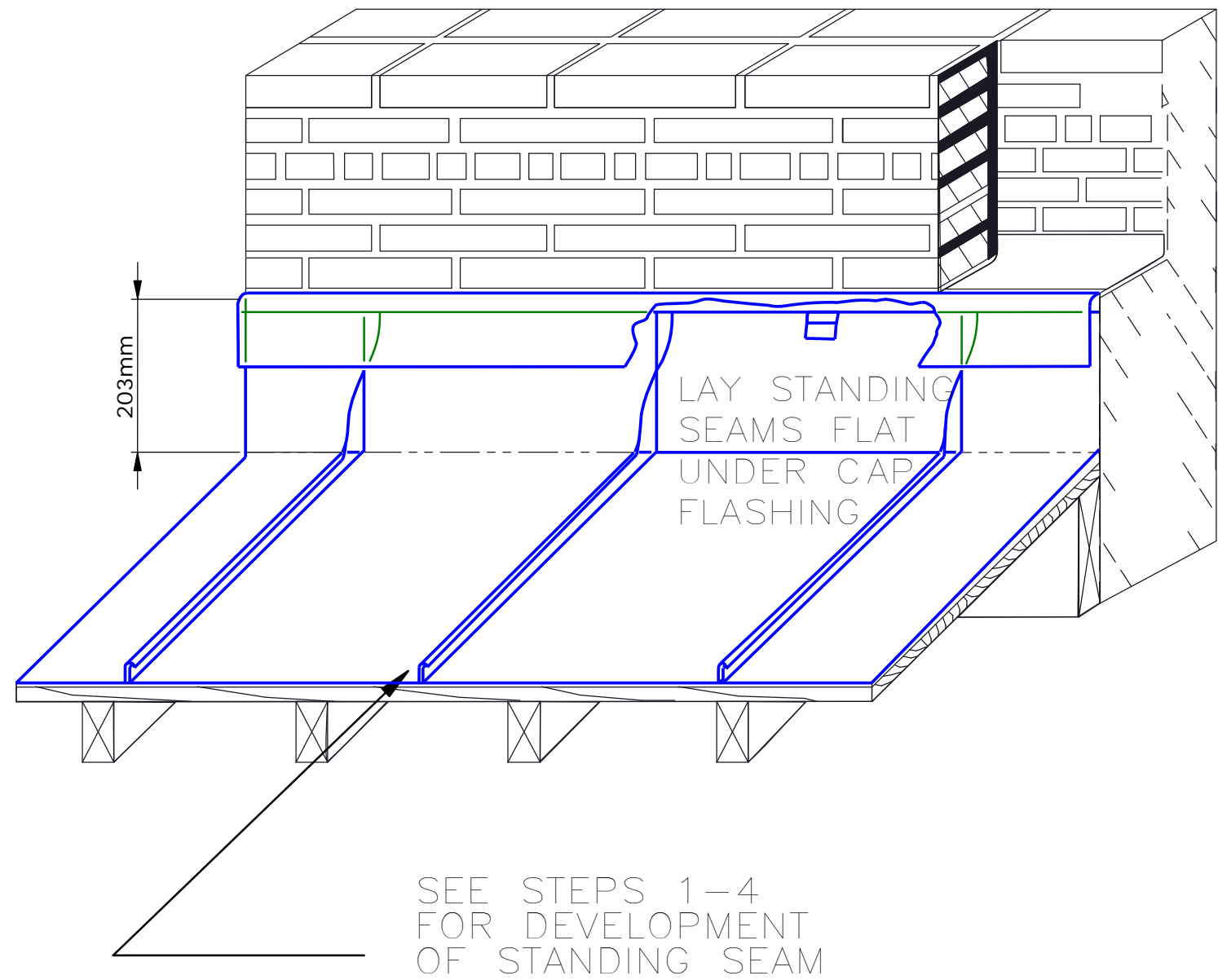
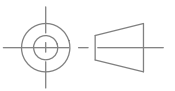
AMBROMETALS

Ambro Metals Ltd
PO Box 15599
New Lynn 0604
Auckland
New Zealand

www.ambrometals.com
Information contained in this drawing may not be reproduced or used for any purpose without express written permission from Ambro Metals Limited

TITLE / PART NUMBER:
Section 3 - G Supplementary Roof Details
G1 - Step 1, 1A, 2 thru 4

REVISION: A	SHEET: 1 of 1	SIZE: A3	DATE: 21/11/2013
-----------------------	-------------------------	--------------------	----------------------------



03RW04 ROOF WITH STANDING SEAM—METHOD 2

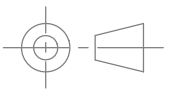
AMBROMETALS

Ambro Metals Ltd
 PO Box 15599
 New Lynn 0604
 Auckland
 New Zealand

www.ambrometals.com
 Copyright © 2013 Ambro Metals Ltd
 Information contained in this drawing may not be reproduced or used for any purpose without express written permission from Ambro Metals Limited

TITLE / PART NUMBER:
Section 3 - G Supplementary Roof Details
 G1 - Roof with Standing Seams Method 2

REVISION: A	SHEET: 1 of 1	SIZE: A3	DATE: 21/11/2013
-----------------------	------------------	-------------	---------------------



51mm LOOSE LOCK EXPANSION JOINT

203mm MINIMUM

19mm LOCK

152mm

SOLDER

03RW03 ROOF WITH STANDING SEAM—METHOD 1

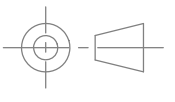
AMBROMETALS

Ambro Metals Ltd
PO Box 15599
New Lynn 0604
Auckland
New Zealand

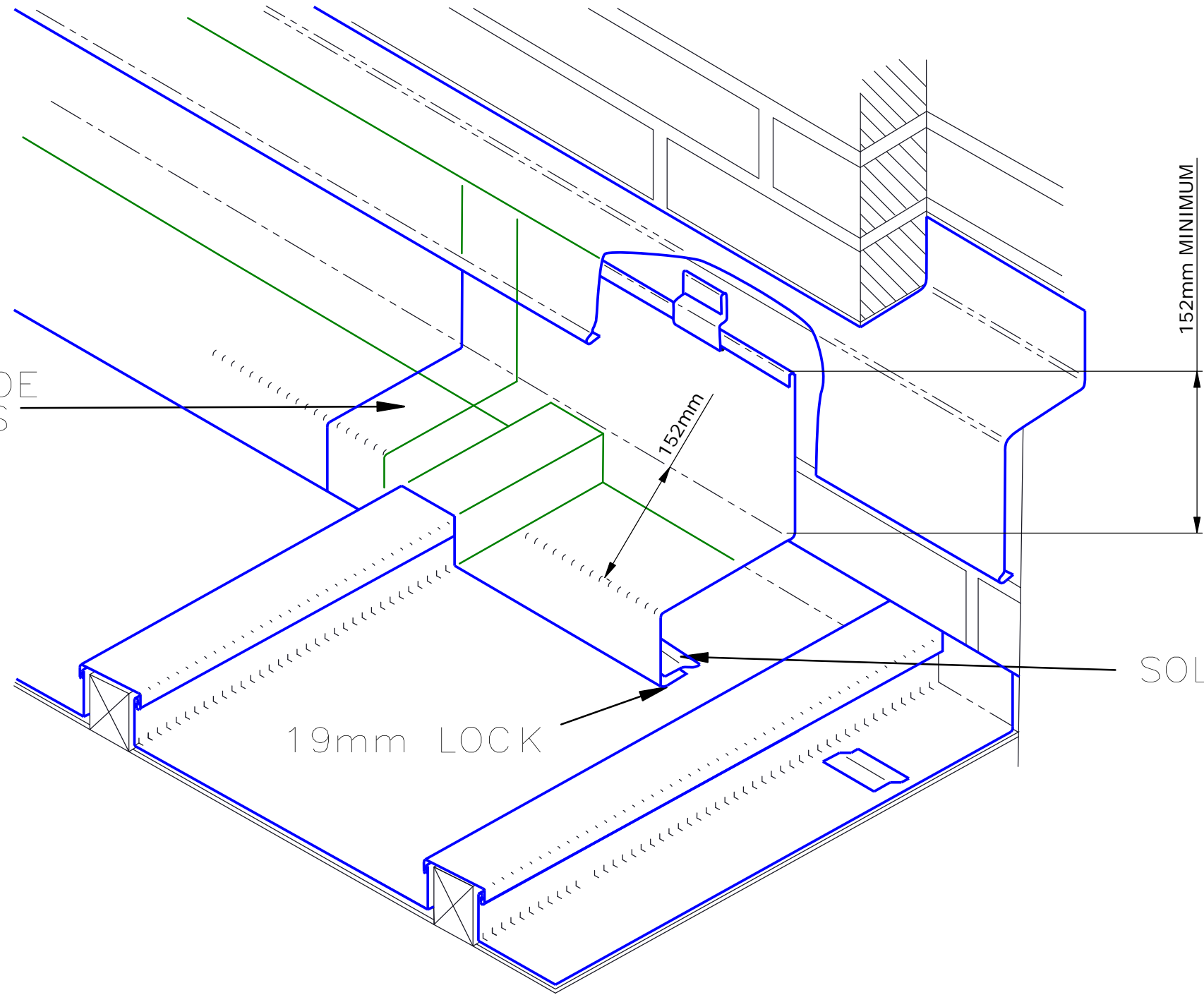
www.ambrometals.com
Copyright © 2013 Ambro Metals Ltd
Information contained in this drawing may not be reproduced or used for any purpose without express written permission from Ambro Metals Limited

TITLE / PART NUMBER:
Section 3 - G Supplementary Roof Details
G1 - Roof with Standing Seams Method 1

REVISION: A	SHEET: 1 of 1	SIZE: A3	DATE: 21/11/2013
-----------------------	-------------------------	--------------------	----------------------------



102mm WIDE
CAP JOINTS



152mm

152mm MINIMUM

SOLDER

19mm LOCK

03RW02 ROOF WITH BATTEN SEAMS—METHOD 2

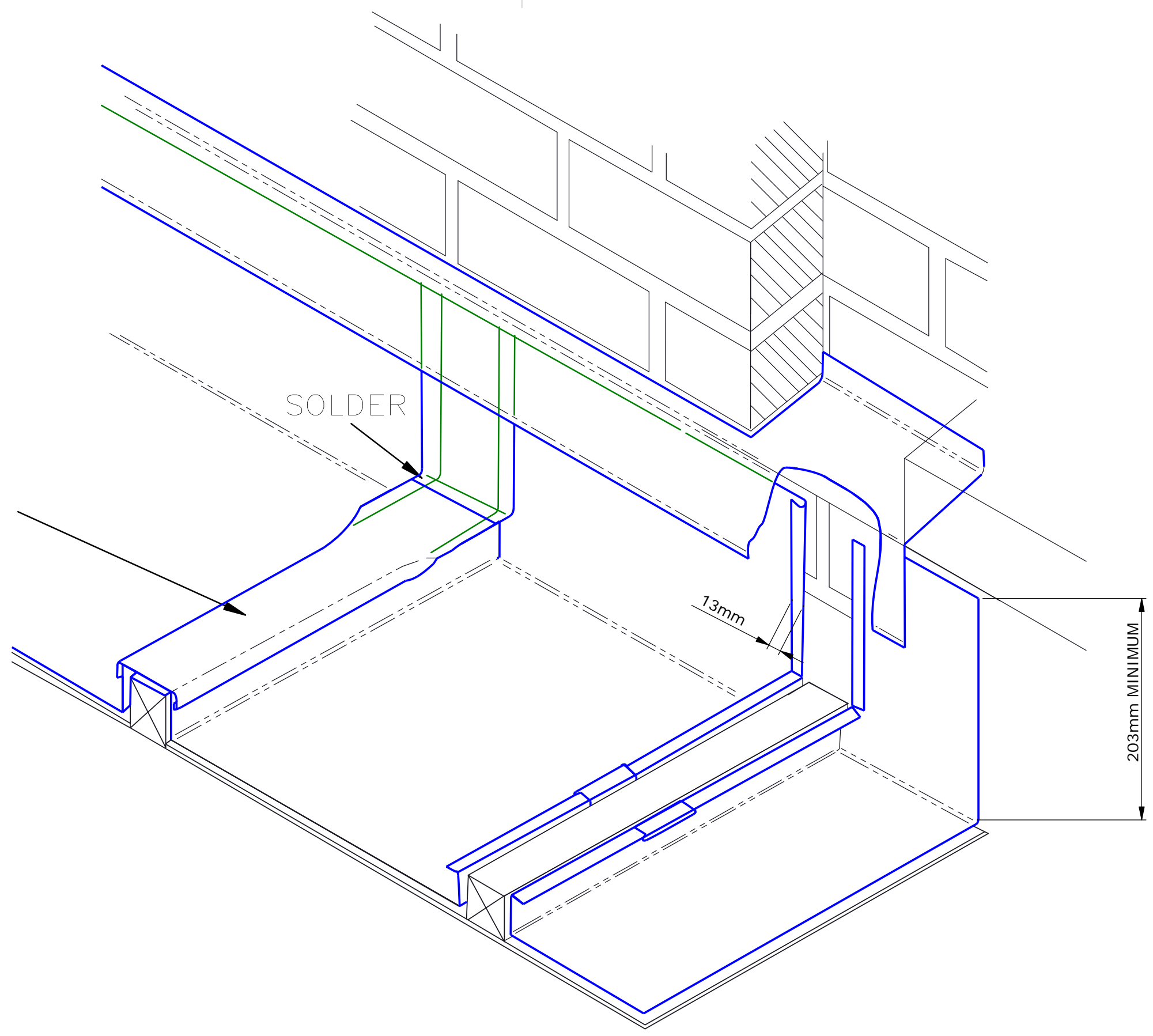
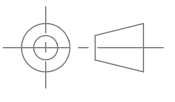
AMBROMETALS

Ambro Metals Ltd
PO Box 15599
New Lynn 0604
Auckland
New Zealand

www.ambrometals.com
Copyright © 2013 Ambro Metals Ltd
Information contained in this drawing may not be reproduced or used for any purpose without express written permission from Ambro Metals Limited

TITLE / PART NUMBER:
Section 3 - G Supplementary Roof Details
G1 - Roof with Batten Seams Method 2

REVISION: A	SHEET: 1 of 1	SIZE: A3	DATE: 21/11/2013
-----------------------	------------------	--------------------	----------------------------



BATTEN CAP

SOLDER

13mm

203mm MINIMUM

03RW01 ROOF WITH BATTEN SEAMS—MEHTOD 1

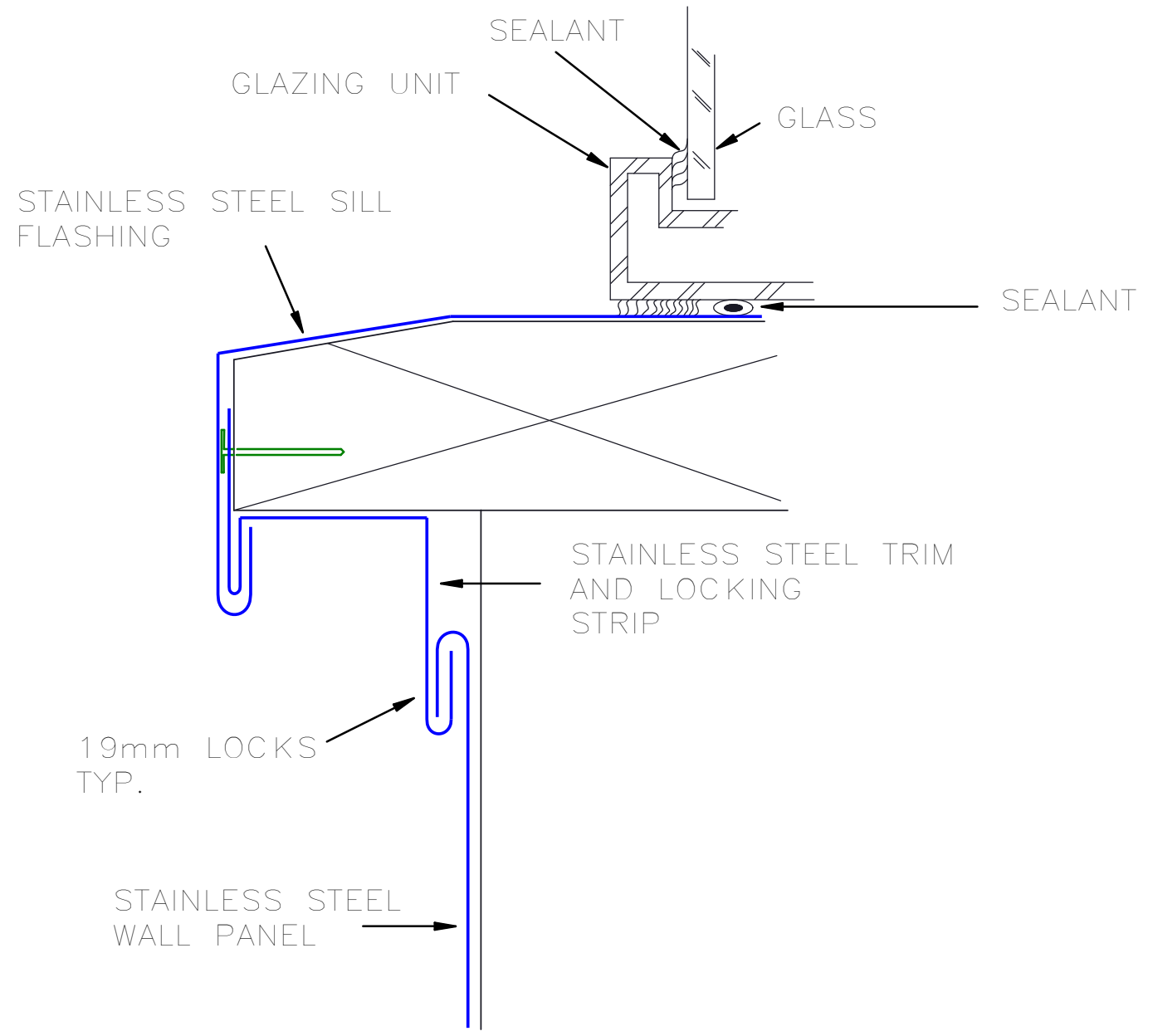
AMBROMETALS

Ambro Metals Ltd
PO Box 15599
New Lynn 0604
Auckland
New Zealand

www.ambrometals.com
Copyright © 2013 Ambro Metals Ltd
Information contained in this drawing may not be reproduced or used for any purpose without express written permission from Ambro Metals Limited

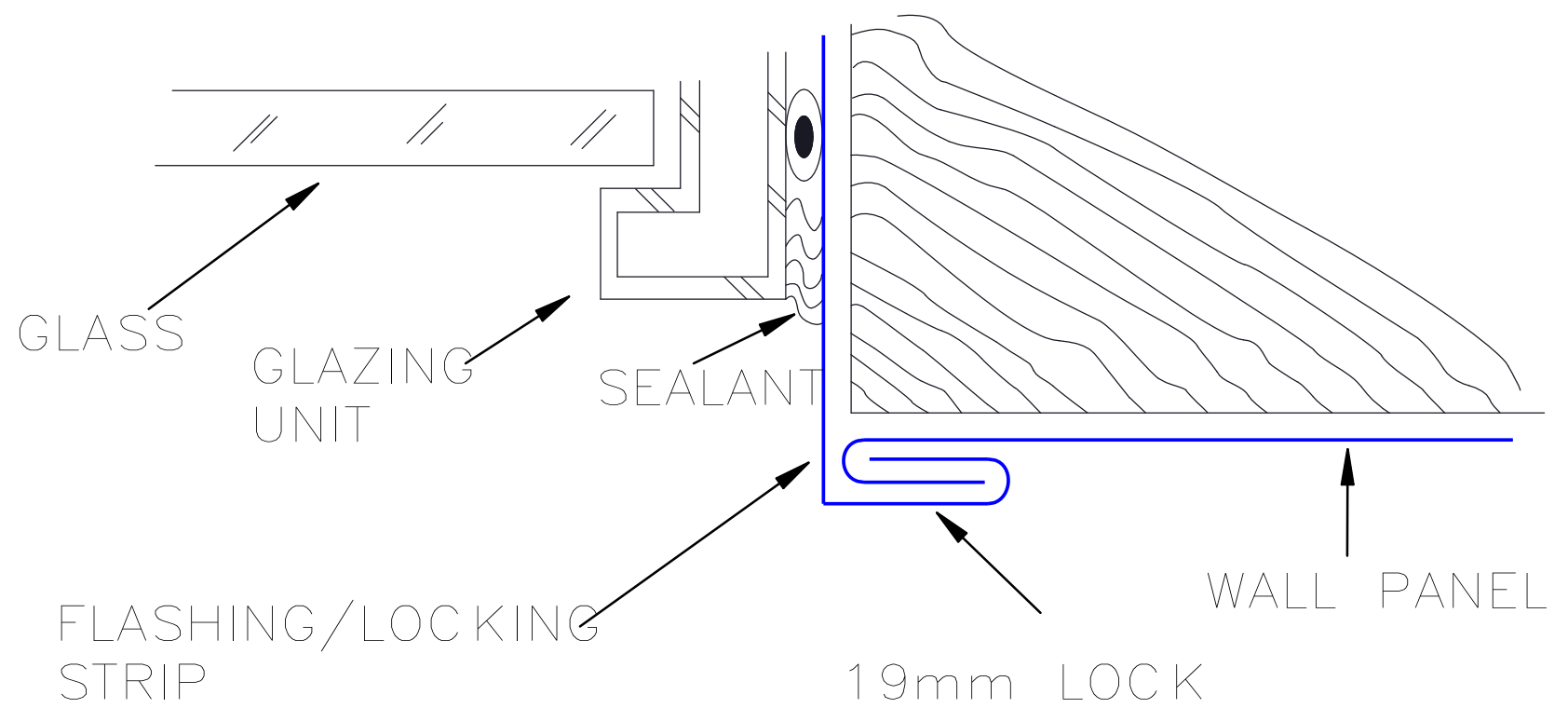
TITLE / PART NUMBER:
Section 3 - G Supplementary Roof Details
G1 - Roof with Batten Seams Method 1

REVISION: A	SHEET: 1 of 1	SIZE: A3	DATE: 21/11/2013
-----------------------	-------------------------	--------------------	----------------------------



06WC01 SILL DETAIL

 www.ambrometals.com	Ambro Metals Ltd PO Box 15599 New Lynn 0604 Auckland New Zealand	TITLE / PART NUMBER: Section 3 - I Wall Cladding Sill Detail		
	Copyright © 2013 Ambro Metals Ltd Information contained in this drawing may not be reproduced or used for any purpose without express written permission from Ambro Metals Limited	REVISION: A	SHEET: 1 of 1	SIZE: A3



06WC03 JAM DETAIL

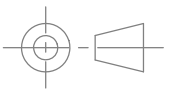
AMBROMETALS

Ambro Metals Ltd
PO Box 15599
New Lynn 0604
Auckland
New Zealand

www.ambrometals.com
Copyright © 2013 Ambro Metals Ltd
Information contained in this drawing may not be reproduced or used for any purpose without express written permission from Ambro Metals Limited

TITLE / PART NUMBER:
Section 3 - I Wall Cladding
Jam Detail

REVISION: A	SHEET: 1 of 1	SIZE: A3	DATE: 21/11/2013
-----------------------	------------------	--------------------	----------------------------



STAINLESS STEEL
WALL PANEL

STAINLESS STEEL
EDGE STRIP

19mm LOCK

LOCK MAY BE
TURNED OUT 45

GLAZING UNIT

GLASS

SEALANT

AMBROMETALS

06W002 HEAD DETAIL

Ambro Metals Ltd
PO Box 15599
New Lynn 0604
Auckland
New Zealand

TITLE / PART NUMBER:
Section 3 - I Wall Cladding
Head Detail

REVISION: A	SHEET: 1 of 1	SIZE: A3	DATE: 21/11/2013
-----------------------	-------------------------	--------------------	----------------------------

www.ambrometals.com
Information contained in this drawing may not be reproduced or used for any purpose without express written permission from Ambro Metals Limited